

## ZIPSCREEN EXTREME | S100

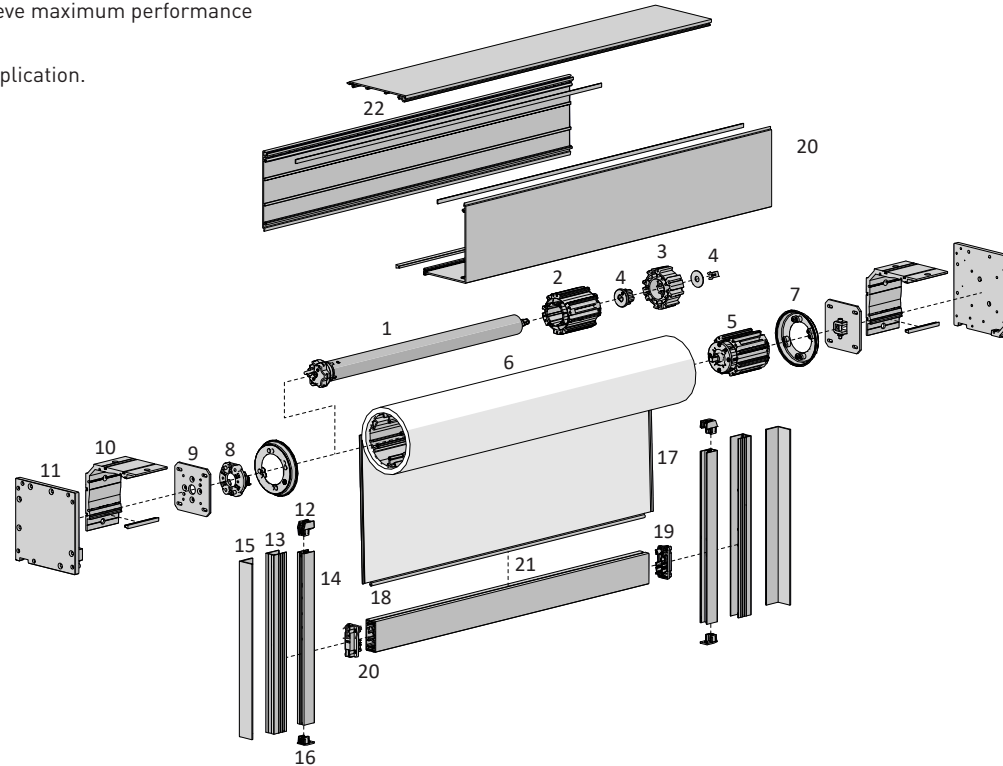
The ZIPSCREEN EXTREME system and AUTOMATE motorised solution is an integration of the popular Zipscreen and robust Extreme products, to produce a wide screen retention solution capable of automating shades up to 7m (23') in width and 5m (16.5') drops. Utilising stainless steel hardware, a premium aluminium extruded cassette and a choice of 110mm (4.3") or 130mm (5.1") aluminium tubes, ZIPSCREEN EXTREME can be used internally or externally.

## FUNCTIONAL BENEFITS

- Stylish cassette hides componentry while offering a sophisticated motorised solution.
- AUTOMATE motorisation solution capable of Impact Detection functionality.
- Same robust side channels as the Zipscreen system.

## FEATURES

- Optional universal stainless steel open bracket for Top, Face or Side fix applications
- Choice of two rigid aluminium tube sizes achieve maximum performance for any system size.
- Range of mounting options suitable for any application.
- Complete suite of Stainless Steel hardware.
- Heavy duty adjustable bearing idler.



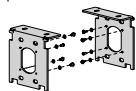
## SYSTEM INDEX

|    |                                                                                                  |
|----|--------------------------------------------------------------------------------------------------|
| 1  | AUTOMATE   AX30 & AX50 Motors<br>Refer regional catalogue for part numbers.                      |
| 2  | Zipscreen Extreme Crown Wheel - S100<br>RB80-0711-073100                                         |
| 3  | Extreme Drive Wheel - S100<br>RB80-0301-073100                                                   |
| 4  | AUTOMATE   AX Motor Drive Wheel Adaptor Kit for EXTREME<br>MT03-0198-025008                      |
| 5  | Extreme Bearing Idler   Universal<br>RB80-0202-073100                                            |
| 6  | S100 Aluminium Tube<br>RB93-0110-000600 - S100   110mm STD<br>RB93-0130-000700 - S100   130mm HD |
| 7  | Zipscreen Extreme Reducer Set<br>RB80-0501-0501#0                                                |
| 8  | Zamak Adaptor<br>RB56-0762-014050                                                                |
| 9  | Extreme Bracket Adaptor Kit (Motor & Idler Plate<br>RB80-1503-xxx110                             |
| 10 | BOX 190 Universal Bracket<br>RE01-1105-020100                                                    |
| 11 | BOX 190 Cassette End Plate & Screws<br>RE01-1105-xxx001                                          |
| 12 | Zipscreen Inner Rail Funnel & Stop Set<br>SB05-1411-050001                                       |
| 13 | Zipscreen - U Mounting Rail<br>SB04-0702-xxx550                                                  |
| 14 | Zipscreen - Zip Inner Rail<br>SB04-0701-xxx550                                                   |
| 15 | Fixing Rail (Face Fix Installation)<br>SB04-0704-xxxLLL                                          |
| 16 | Zipscreen - Zip Inner Rail Bottom Cap Set<br>SB05-1511-050001                                    |
| 17 | Zip - No.6 Gauge<br>SH91-0135-050200                                                             |
| 18 | 7mm Fabric Spline with 15mm Tail<br>SB91-0409-050015                                             |
| 19 | F72 Weight Bar End Cap Set   Zipscreen<br>RE15-0512-xxx000                                       |
| 20 | F72 HD External Weight Bar<br>RE15-0112-xxxLLL                                                   |
| 21 | Extreme Cassette Front Cover Extrusion<br>RE01-0107-xxxLLL                                       |
| 22 | Extreme Cassette Top & Back Extrusion<br>RE01-0106-xxxLLL                                        |
| *  | Foam Tape<br>SB91-0516-xxx009                                                                    |
| *  | Bubble Seal Strip Options<br>SB91-00xx-xxxLLL                                                    |
| *  | Fabric Brush - T-Slot Fit - 10mm High<br>SB91-0012-050300                                        |

xxx = colour  
## = size /type

## SYSTEM OPTIONS

Open



## CONTROL OPTIONS

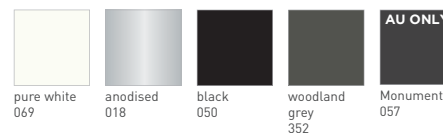


## SENSOR OPTIONS

Wind &amp; Light Sensor



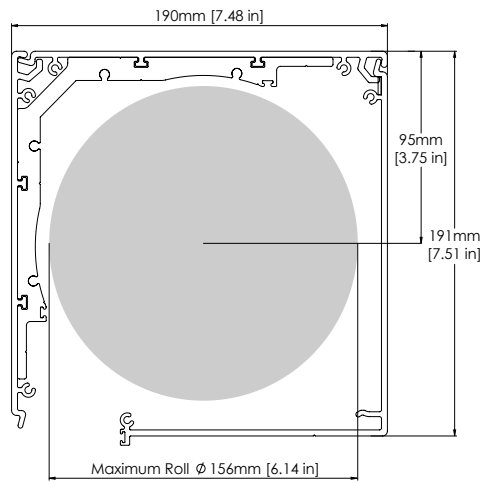
## COLOUR RANGE



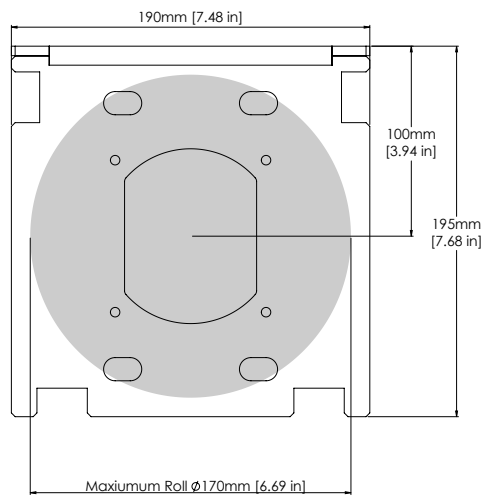
**ZIPSCREEN EXTREME | S100**

**MAX ROLL**

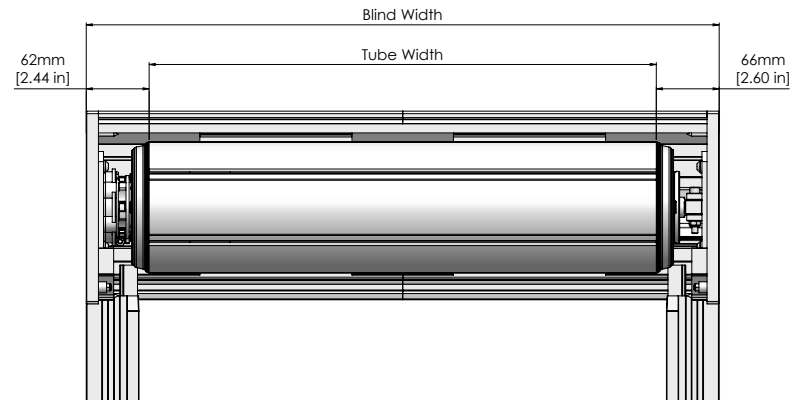
**EXTREME ZIPSCREEN BOX 190**



**EXTREME ZIPSCREEN OPEN**



**DEDUCTIONS**

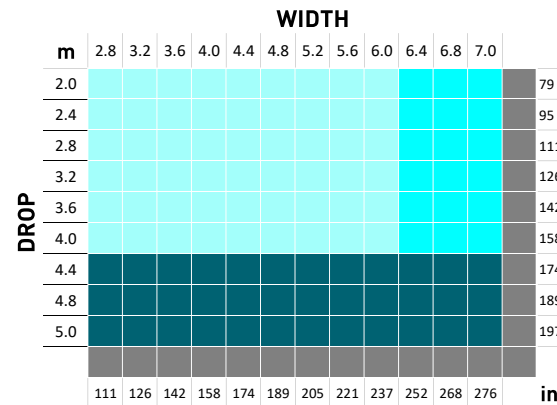


| Configuration | Total           |
|---------------|-----------------|
| Box 190       | 128mm [5.04 in] |
| Extreme Open  | 114mm [4.49 in] |

Box 190 Cassette | Recess Fix Channel.

Refer Assembly Manual for further details.

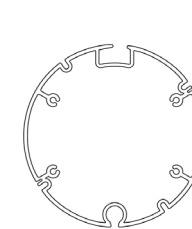
**SYSTEM CAPACITY CHART**



| LEGEND        | DESCRIPTION                    |
|---------------|--------------------------------|
| [Grey]        | Outside Product Specifications |
| [Light Blue]  | S100   110 STD   Open, Box     |
| [Medium Blue] | S100   130 HD   Open, Box      |
| [Dark Blue]   | S100   130 HD   Open           |

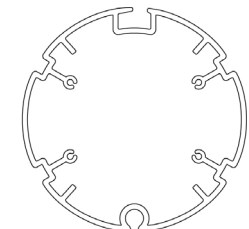
Refer Product Specifications Manual for further details.

**ALUMINIUM TUBES**



**S100 | 110 STANDARD**

CODE: RB93-0110-000600  
O.D.: 110mm [4.3"]  
Length: 6m [19.7']



**S100 | 130 HEAVY DUTY**

CODE: RB93-0130-000700  
O.D.: 130mm [5.1"]  
Length: 7m [23']