

MOTORISED S100 / S130 ZIPSCREEN EXTREME WIRE GUIDE

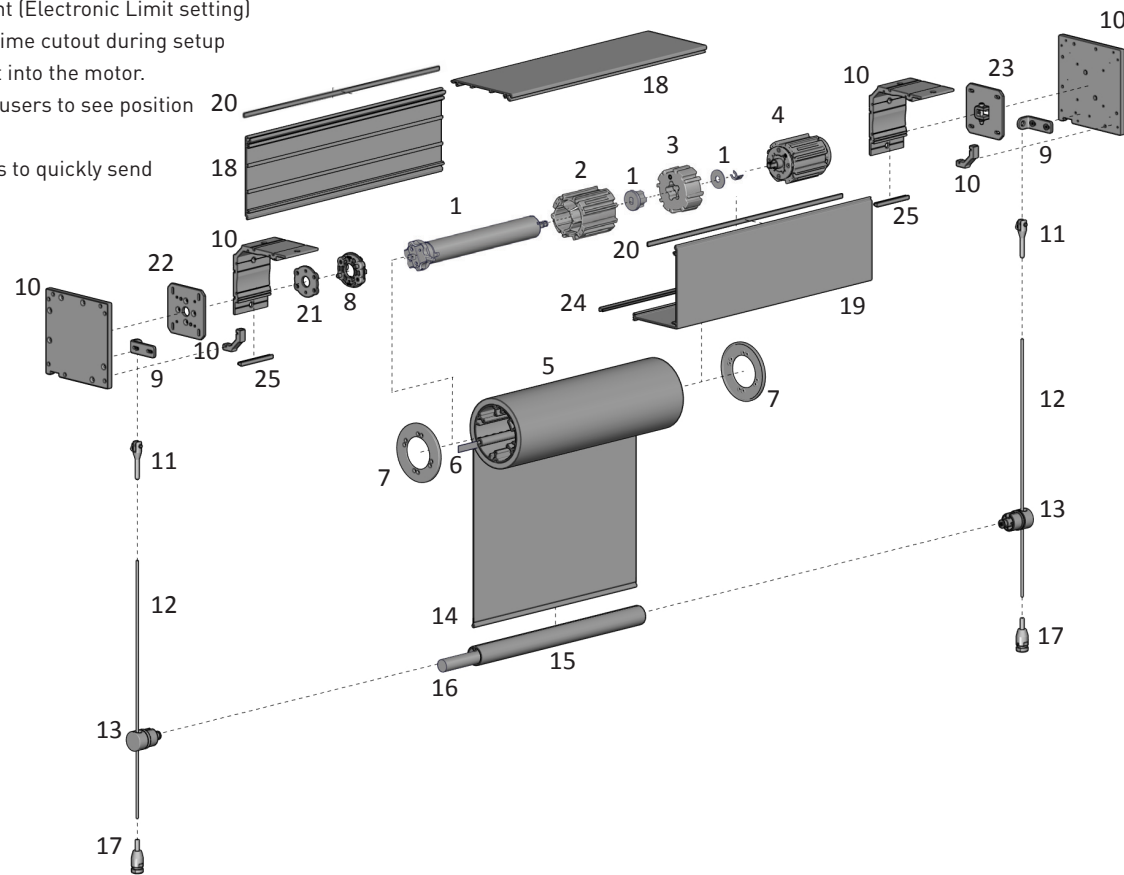
The ZIPSCREEN EXTREME WIRE GUIDE system and X50 Motorised solution is an integration of the popular Zipscreen and robust Extreme products, to produce a wide screen retention solution capable of automating shades up to 7m (23') in width.

FUNCTIONAL BENEFITS

- Stylish cassette hides componentry while offering a sophisticated motorised solution.
- Multiple control options, remote, App or voice control.
- Connect IFTTT and you can open or close your Zipscreen based on dynamic UV levels, rain fall or wind warnings based on a weather app for your area.
- Wirelessly connect sophisticated sensors that can detect; movement sun wind or rain.

FEATURES

- Achieves wider spans without the need for divider posts.
- ARC protocol & Programming
- Wireless Limit setting and adjustment (Electronic Limit setting)
- Simple ARC limit setting avoids run time cutout during setup
- Smart wind sensor functionality built into the motor.
- Bi-directional Communication allow users to see position via the Pulse app
- Favorite Position setting allows users to quickly send awning to alliterative position



SYSTEM OPTIONS

Side Fix Brackets



Wall Mount Bracket



Gear Control



Open



Fabric Brush



Joiner



CONTROL OPTIONS



SENSORS OPTIONS

Wind, light & Rain Sensor



Motion Sensor



SENSORS OPTIONS

IFTTT



Alexa



Google Home



COLOUR RANGE



SYSTEM INDEX

1	AUTOMATE AC 50NM ARC MOTOR + Adaptor Kit MT01-1145-069011
2	Extreme Universal Crown Wheel RB80-0701-073100
3	Extreme Drive Wheel RB80-0301-073100
4	Extreme Bearing Idler RB80-0201-073100
5	S100 Aluminium Tube [STD, HD & XHD] RB93-01#0-000#00
6	15mm Flat Spline [OR 6mm round spline*] RB92-1501-001100
7	Extreme Tube End Plate [STD, HD & XHD] RB80-0601-0731#0
8	Zamack Adaptor RB56-0762-014050
9	Wire Guide Adaptor Plate & Screws RB80-0481-xxx000
10	Extreme Cassette End Plate & Screws for both sides ** RE01-1105-xxx000
11	Fork Swage Terminal RE24-1314-009400
12	Stainless Steel Wire - 4mm RB91-3602-006040
13	Extreme FD42 Wire Guide End Cap RB91-1340-xxx003
14	3.5mm Round Spline *
15	Extreme FD42 Weight Bar SB06-1304-xxx600
16	Weight Bar Ballast * [max 28 Diameter]
17	Tension Bracket & Flat Head Stud Terminal RE24-2601-009040
18	Extreme Cassette Top & Back Extrusion ** RE01-0106-xxxLLL
19	Extreme Cassette Front Cover Extrusion ** RE01-0107-xxxLLL
20	Foam Tape SB91-0516-xxx009
21	Zamack Adaptor Spacer RB80-0411-xxx050
22	Extreme Sq. Cntrl Bracket Plate - SIDE FIX RB80-1501-xxx110
23	Extreme Sq. Idle Bracket Plate - SIDE FIX RB80-1502-xxx110
24	Fabric Brush - T-Slot Fit - 10mm High SB91-0012-050300

xxx= colour ## = size

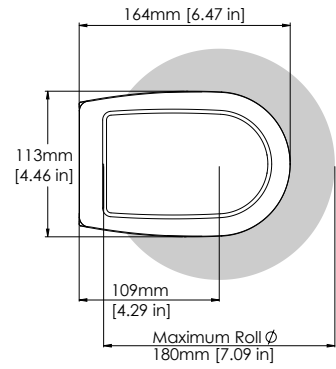
* Non Acmeda Item

** AU ONLY

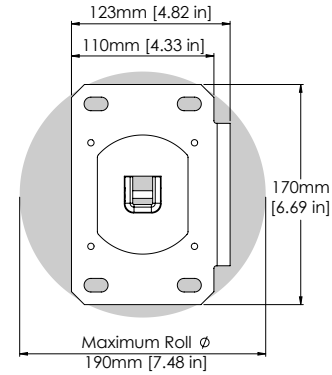
SYSTEM SPECIFICATIONS: WIRE GUIDE EXTREME | S100

MAX ROLL

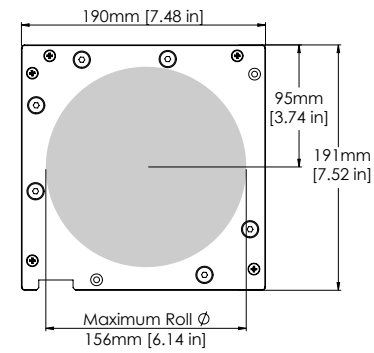
OPEN



SIDE

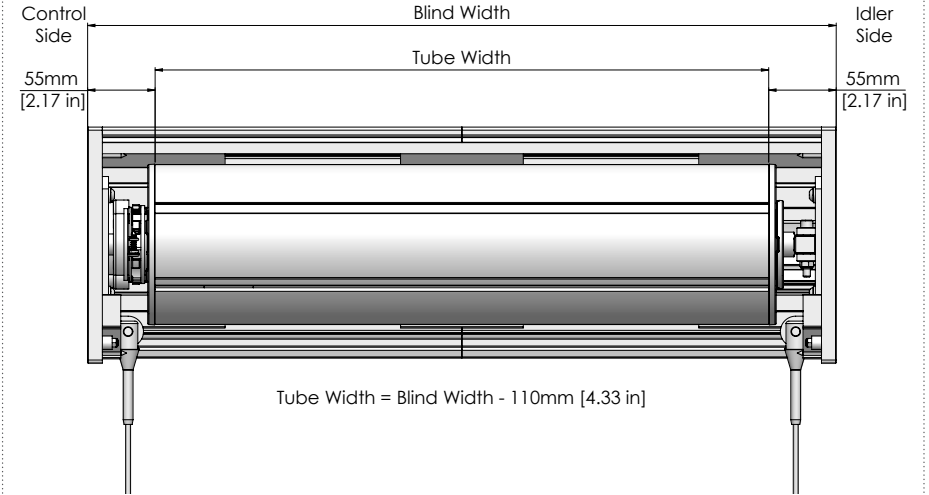


CASSETTE



DEDUCTIONS*

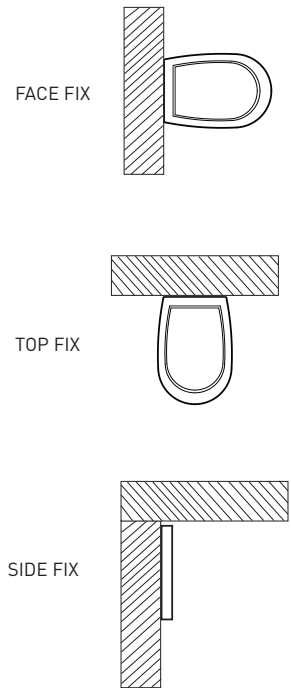
Top/Face Fix Motorised Example Shown



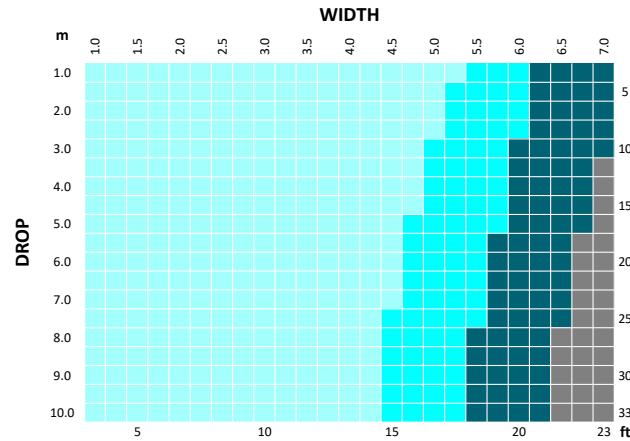
Configuration	Control End		Idler End		Total	
	Motor	Gear	Motor	Gear	Motor	Gear
Box 190	55mm [2.17 in]	67mm [2.64 in]	55mm [2.17 in]	55mm [2.17 in]	110mm [4.33 in]	122mm [4.80 in]
Extreme Open	55mm [2.17 in]	73mm [2.87 in]	60mm [2.36 in]	64mm [2.52 in]	115mm [4.53 in]	137mm [5.39 in]
Extreme Side	48mm [1.89 in]	60mm [2.36 in]	48mm [1.89 in]	48mm [1.89 in]	96mm [3.78 in]	108mm [4.25 in]

Refer to Product Specifications Manual for further details.

OPEN FIXING OPTIONS



SYSTEM CAPACITY CHART



PARAMETERS

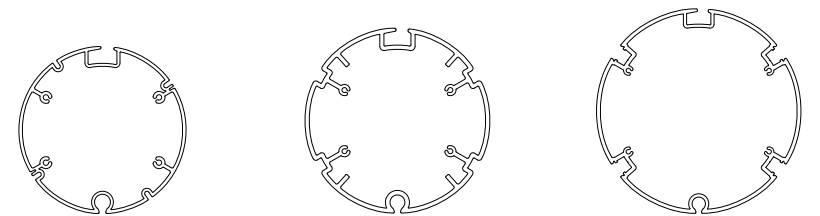
Fabric: 520gsm (15.34oz/yd²), 0.7mm Thick

Weight Bar: F72 HD External Weight Bar

LEGEND	DESCRIPTION
	OUTSIDE PRODUCT SPECIFICATIONS
	S100 110 STD
	S100 130 HD
	S100 160 HD

Max Drop for Gear Control: 4m [13.1']
 Max Drop for S100 | 130mm in Box 190: 6.5m [21.3']

Refer to Product Specification Manual for further details.



S100 | 110 STANDARD

CODE: RB93-0110-000600
 O.D: 110mm (4.331")
 Length: 6metres (19.7')

S100 | 130 HEAVY DUTY

CODE: RB93-0130-000700
 O.D: 130mm (5.118")
 Length: 7metres (23')

S100 | 160 EXTRA HEAVY DUTY

CODE: RB93-0160-000700
 O.D: 160mm (6.3")
 Length: 6.8metres (22.3')