

Skyline 2.0Nm | 28mm

The motorized 28mm 2.0Nm Skyline roller shade system offers multiple tubes to suit a variety of applications. Featuring ARC (Automate Radio Communication), the 28mm 2.0Nm Skyline system provides an intelligent Li-ion battery powered solution.

AESTHETICAL FEATURES

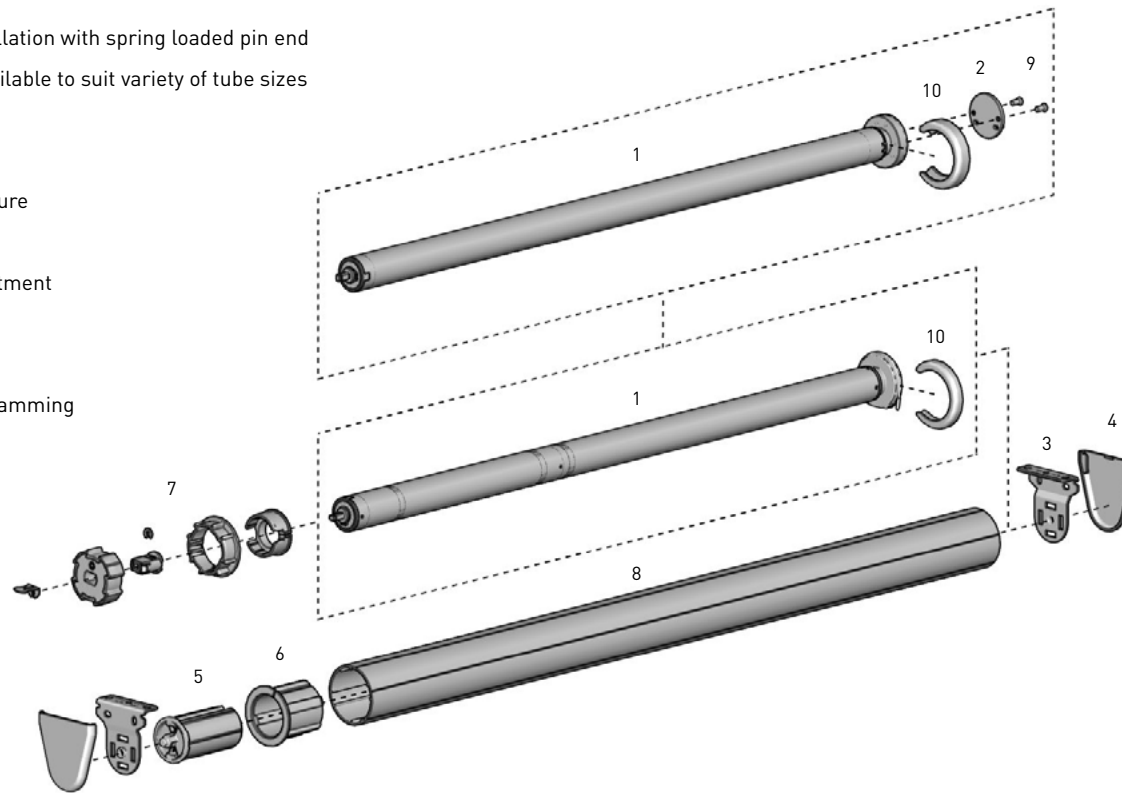
- Thinner Motor Head
- Recessed mounting hooks

PRODUCTION & ASSEMBLY FEATURES

- Smaller Motor end deduction
- Greater flexibility during installation with spring loaded pin end
- Crown, drive and adapters available to suit variety of tube sizes

FUNCTIONAL BENEFITS

- 5V Micro USB Charging
- Antennae Wire Retention Feature
- Levelling control
- Simple limit setting and adjustment
- Favorite position
- 3 operational speed settings
- ARC protocol for simple programming
- 2-WAY RF communication

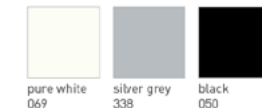


SYSTEM INDEX

1	Automate Motor 28mm MT01-1328-069001 - Li-ion Q2.0 ZERO MTDCBRFQ28-2 - Li-ion Q2.0
2	Adapter for DCRF Motors MTAD-252835-SL MTAD-25-28-SLV2W - for use with Cap
3	Brackets SLB###x SLNB###x
4	Bracket Covers SLBC###x SLNBC###x
5	Pin End SLPEHD53xx
6	Adapter RA2xx - for 2" Tube
7	Crown & Drive Kit MTCRDR-28-1.5 - Kit for 1½" Tube MTCRDR-28-2 - Kit for 2" Tube
8	Aluminum Tube RTEA4T## - 1½" Tube RTEA5T## - 2" Tube
9	Screws for Adapter SLAMSCREW - for MTAD-252835-SL Only
10	Motor Cap MTCAP-0205-xxx001 - for Li-ion ZERO MTCAP-25-xx - for DCRF

- Size
xxx= Color

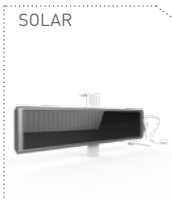
COLOUR RANGE



SYSTEM UPGRADES

- CASSETTE 80/100/120
- FASCIA 3"/4"/5"
- LINK SYSTEM
- POCKETS 3"/4"/5"/6"

CONTROL OPTIONS

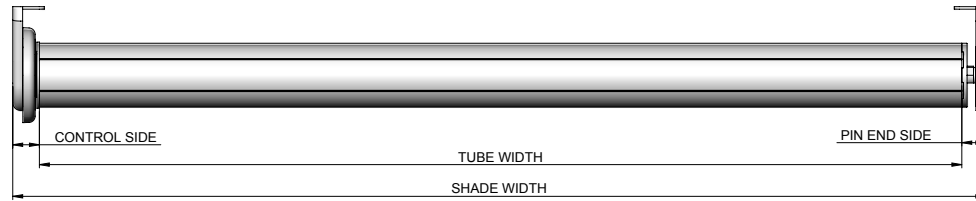


PRODUCT OPTIONS



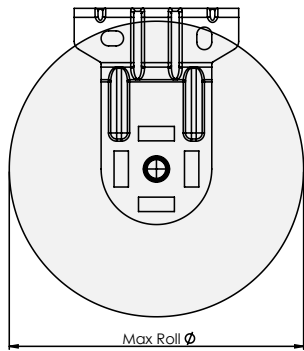
SPECIFICATIONS

DEDUCTION CHART



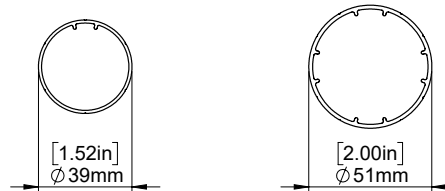
MOTOR	TUBE	BRACKETS	LIGHT GAP			MINIMUM SHADE WIDTH	
			CONTROL END	PIN END	OVERALL		
MT01-1328-069001	1½"	With Covers	0.67" [17mm]	0.59" [15mm]	1.26" [32mm]	MT01-1328-069001	2.54' [0.775m]
		No Covers	0.63" [16mm]	0.55" [14mm]	1.18" [30mm]		
MTDCBRFQ28-2		With Covers	0.79" [20mm]	0.59" [15mm]	1.38" [35mm]		
		No Covers	0.75" [19mm]	0.51" [13mm]	1.26" [32mm]		
MT01-1328-069001	2"	With Covers	0.67" [17mm]	0.59" [15mm]	1.26" [32mm]	MTDCBRFQ28-2	2.00' [0.600m]
		No Covers	0.63" [16mm]	0.55" [14mm]	1.18" [30mm]		
MTDCBRFQ28-2		With Covers	0.75" [19mm]	0.55" [14mm]	1.30" [33mm]		
		No Covers	0.71" [18mm]	0.51" [13mm]	1.22" [31mm]		

MAX ROLL



BRACKET	MAX ROLL SIZE
SLNBxx650xx	2-3/8" [59mm]
SLxx660xx	3" [76mm]
SLxx680xx	4" [102mm]
SLxx690xx	5" [128mm]

TUBE SPECS.



1½" Tube

Code: RTEA4T12 (with tape)
RTEA4T16 (with tape)

Length 12',16'
[3.66m, 4.88m]

2" Tube

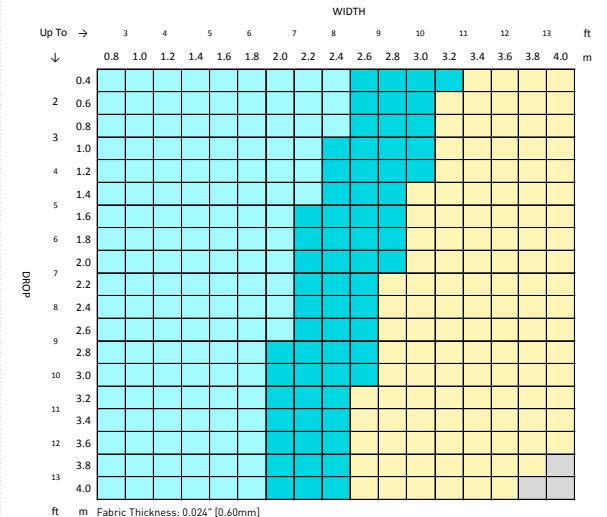
Code: RTEA5T12 (with tape)
RTEA5U12
RTEA5T16 (with tape)
RTEA5U16

Length 12',16'
[3.66m, 4.88m]

1½" TUBE		2" TUBE	
Ø WIDTH	MAX DROP	Ø WIDTH	MAX DROP
7.9' [2.40m]	2.6' [0.80m]*	9.9' [3.00m]	4.0' [1.20m]*
5.9' [1.80m]	13.1' [4.00m]*	7.9' [2.40m]	13.1' [4.00m]*

* Recommended Max Drop. Exceeding this value may cause fabric tracking issues

SYSTEM CAPACITY



Fabric Thickness: 0.024" [0.60mm]
Fabric Density: 12.39oz/yd² [420gsm]
Weight Bar: D30 Silent Medium Aluminium Bottom Rail

CONTROL	TUBE	LINK SYSTEM
28mm Motor	RTEA4T# - 1.5"	
	RTEA5T# - 2.0"	
OUTSIDE SPECIFICATIONS		