

## OVERVIEW: SL15 SKYLINE CHAIN CONTROL SYSTEM

The Skyline system is the flagship of the Rollease product line. The Skyline Medium SL15 Chain Control offers a sleek rounded chain guard profile which is ideal for both residential & commercial applications. Skyline clutches feature Velvetrol Technology and our limited lifetime warranty.

## AESTHETICAL FEATURES

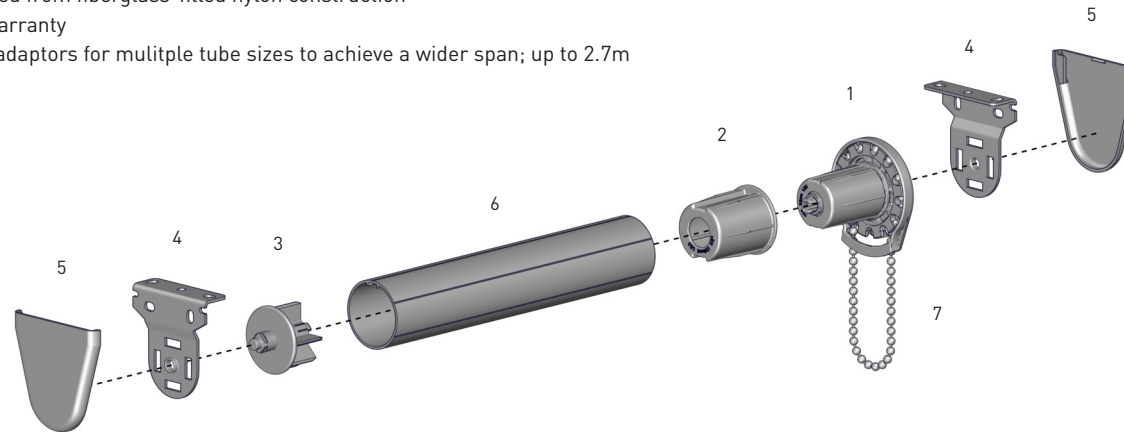
- Sleek, rounded chain guard design
- Reduced light gaps
- Colour coded bracket covers

## ASSEMBLY / PRODUCTION FEATURES

- Greater flexibility in installation with spring loaded pin end
- Universal brackets
- Hooked clutches for a secure application
- Easy chain attachment
- Compatible with Acmeda Line S40 & S45 Tubes

## FUNCTIONAL BENEFITS

- Smooth operation
- Guarded chain cover for minimal noise
- Long-lasting durability achieved from fiberglass-filled nylon construction
- Backed by Limited Lifetime Warranty
- Modular configuration with 4 adaptors for multiple tube sizes to achieve a wider span; up to 2.7m



## SYSTEM INDEX

- 1 Skyline Clutch SL15 - 28mm  
SL15H01x
- 2 Skyline Adaptor  
SLA#3xx - 32mm/38mm  
SLA4#xx - 40mm/43mm
- 3 Skyline Pin End  
SLPEV###xx - 28mm /32mm/38mm  
SLPE4#xx - 40mm/43mm
- 4 Skyline Standard Bracket  
SLB6##xx - 38p/50p Standard  
SLBN6##xx 38p/50p Narrow
- 5 Skyline Standard Bracket Cover  
SLBC###xx - 38p / 50p Standard  
SLNBC###xx 38p / 50p Narrow
- 6 Aluminium Tube  
RTEA#T16 - Rollease Tube  
28/32/38mm  
RB93-044#-000580 - Acmeda Line  
Tube S40/S45
- 7 Rollease Chain - 50-51BPF  
RB545Mxx - Metal  
BC6MMxx - Plastic

# = size  
xx = colour / finish

## PRODUCT OPTIONS

NARROW BRACKET & COVER  
38P (1 1/2") & 48P



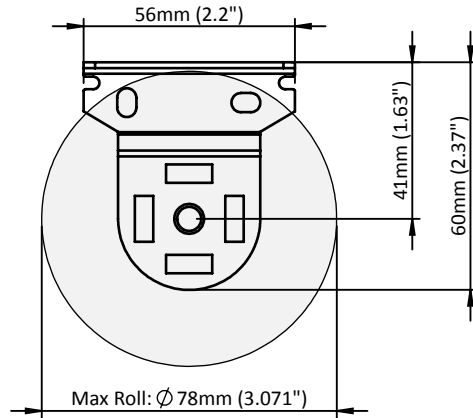
## COLOUR RANGE



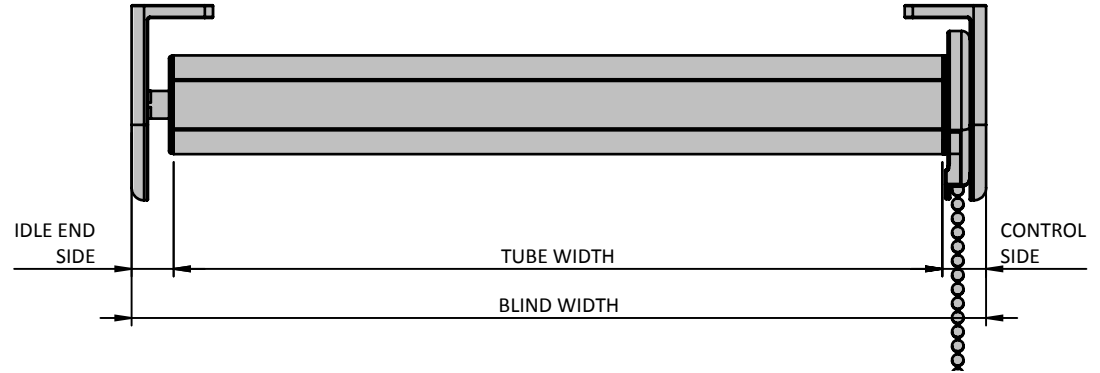
White (W) Grey (G) Black (BK)

**SPECIFICATIONS: SL15 SKYLINE CHAIN CONTROL SYSTEM**

**MAX ROLL**



**DEDUCTION**

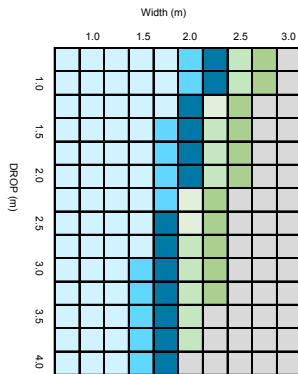


	IDLE END SIDE		CONTROL SIDE		OVERALL DEDUCTION	
	Standard	Narrow	Standard	Narrow	Standard	Narrow
With covers	12mm (0.472")	12mm (0.472")	15mm (0.591")	16mm (0.630")	27mm (1.063")	28mm (1.102")
With out covers	10mm (0.394")	11mm (0.433")	14mm (0.551")	14mm (0.551")	24mm (0.945")	25mm (0.984")

ADAPTER NOTE: Add additional 1.5mm (0.063") to the overall deduction per adapter (eg. 28mm + 1.5mm + 1.5mm = 31mm)

**SYSTEM CAPACITY**

Based on Recommended User Effort



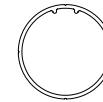
CONTROL	TUBE
SL15 Clutch	RTEA2, RTEA3, RTEA4, 0440, 0443, 0444
	RTEA3, RTEA4, 0440, 0443, 0444
	RB93-0440, RTEA4, 0443, 0444
	RTEA4, 0443, 0444
	RB93-0443, 0444
	RB93-0444
OUTSIDE SPECIFICATIONS	

Chart based on a 28mm Rollease Tube, 420gsm fabric weight, 0.6mm fabric thickness & External Hem Bar

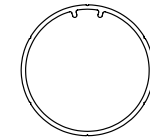
**TUBE SPECS**



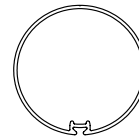
28mm (1-1/8") ROLLEASE Tube  
 CODE: RTEA2T16  
 O.D: 29.5mm (1.161")  
 Length: 4.87m (16')  
 Weight: 0.3kg/m (0.661lbs)



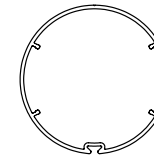
32mm (1-1/4") ROLLEASE Tube  
 CODE: RTEA3T16  
 O.D: 32.8mm (1.291")  
 Length: 4.87m (16')  
 Weight: 0.36kg/m (0.793lbs)



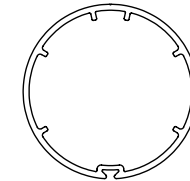
38mm (1-1/2") ROLLEASE Tube  
 CODE: RTEA4T16  
 O.D: 38.6mm (1.520")  
 Length: 4.87m (16')  
 Weight: 0.43kg/m (0.948lbs)



40mm (1.5") ACMEDA Tube  
 CODE: RB93-0440-000580  
 O.D: 39.4mm (1.55")  
 Length: 5.8m (19')  
 Weight: 0.35kg/m (lbs)



43mm (1.7") ACMEDA Tube  
 CODE: RB93-0443-000580  
 O.D: 43.3mm (1.69")  
 Length: 5.8m (19')  
 Weight: 0.41kg/m (lbs)



44mm (1.7") ACMEDA Tube  
 CODE: RB93-0444-000580  
 O.D: 44.2mm (1.73")  
 Length: 5.8m (19')  
 Weight: 0.60kg/m (lbs)