

OVERVIEW: SL10 SKYLINE CHAIN CONTROL 28mm (1-1 1/8") SYSTEM

The Skyline system is the flagship of the Rollease product line. The Skyline Medium Chain Controls, SL10 offers sleek rounded chain guard profiles which are ideal for both residential & commercial applications whilst featuring Velvetrol Technology and our limited lifetime warranty.

SL10 skyline System can lift between 3.6 and 5.9kg.

AESTHETICAL FEATURES

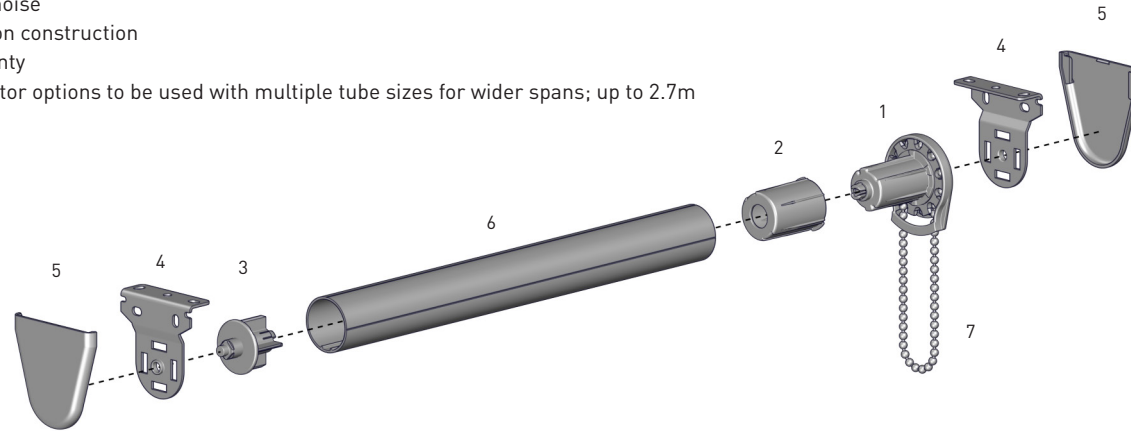
- Sleek, rounded chain guard design
- Reduced light gaps
- Colour coded bracket covers

ASSEMBLY / PRODUCTION FEATURES

- Greater flexibility in installation with spring loaded pin end
- Universal brackets
- Hooked clutches for a secure application
- Easy chain attachment
- Compatible with Acmeda Line S40 & S45 Tubes

FUNCTIONAL BENEFITS

- Smooth operation
- Guarded chain cover for minimal noise
- Long-lasting Fiberglass-filled nylon construction
- Backed by Limited Lifetime Warranty
- Modular configuration with 4 adaptor options to be used with multiple tube sizes for wider spans; up to 2.7m

**SYSTEM INDEX**

- 1 Skyline Clutch SL10 - 28mm
SL10H01xx
- 2 Skyline Adaptor
SLA#3xx - 32/38mm
SLA4#xx - 40/43mm
- 3 Skyline Pin End
SLPEV###xx - 28/32/38mm
SLPE4#xx - 40/43mm
- 4 Skyline Bracket
SLB6#0x - 38p/50p Standard
SLNB6#0x - 38p/50p Narrow
- 5 Skyline Bracket Cover
SLBC###xx - 38p / 50p Standard
SLNBC6#0x 38p/50p Narrow
- 6 Aluminium Tube
RTEA#T16 - Rollease Tube 28/32/38mm
RB93-044#-000580 - Acmeda Tube
S40/S45
- 7 Rollease Chain - 50-51BPF
RB545Mxx - Metal
BC6MMxx - Plastic

= size
xx = colour

PRODUCT OPTIONS

NARROW BRACKET & COVER |
38P (1 1/2") & 50P (2")



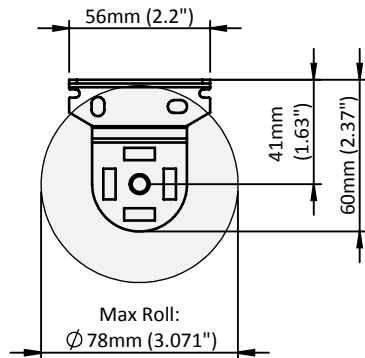
DOUBLE UNIVERSAL BRACKET &
COVER | 38MM & 48MM

**COLOUR RANGE**

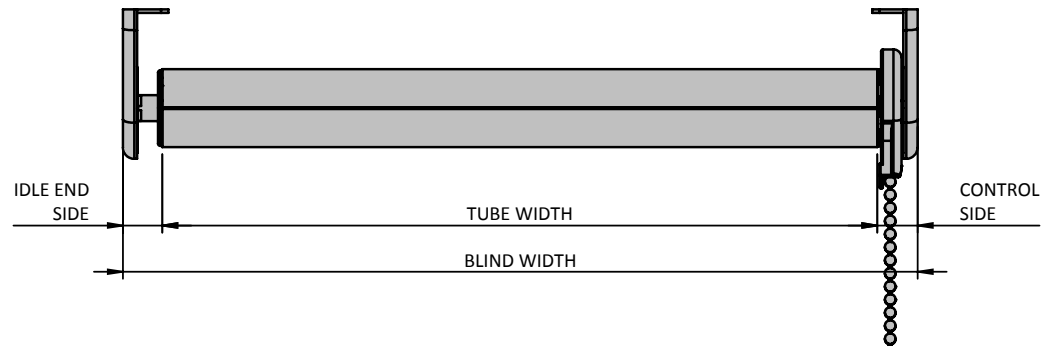
White (W) Grey (G) Black (BK)

SPECIFICATIONS: SL10 SKYLINE CHAIN CONTROL 28mm (1-1 1/8") SYSTEM

MAX ROLL



DEDUCTION

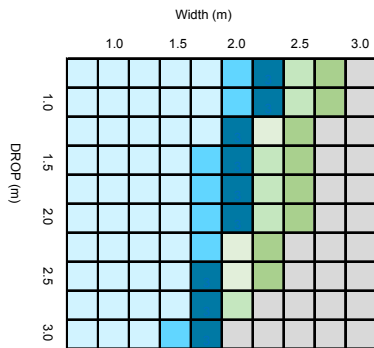


	IDLE END SIDE		CONTROL SIDE		OVERALL DEDUCTION	
	Standard	Narrow	Standard	Narrow	Standard	Narrow
With covers	12mm (0.472")	12mm (0.472")	15mm (0.591")	16mm (0.630")	27mm (1.063")	28mm (1.102")
With out covers	10mm (0.394")	11mm (0.433")	14mm (0.551")	14mm (0.551")	24mm (0.945")	25mm (0.984")

ADAPTER NOTE: Add additional 1.5mm (0.063") to the overall deduction per adapter (eg. 28mm + 1.5mm + 1.5mm = 31mm)

SYSTEM CAPACITY

Based on Recommended User Effort



CONTROL	TUBE
SL10 Clutch	RTEA2, RTEA3, RTEA4, 0440, 0443, 0444
	RTEA3, RTEA4, 0440, 0443, 0444
	RB93-0440, RTEA4, 0443, 0444
	RTEA4, 0443, 0444
	RB93-0443, 0444
OUTSIDE SPECIFICATIONS	

Chart based on a 28mm Rollease Tube, 420gsm fabric weight, 0.6mm fabric thickness & External Hem Bar

TUBE SPECS

28mm (1-1/8") ROLLEASE Tube
 CODE: RTEA2T16
 O.D.: 29.5mm (1.161")
 Length: 4.87m (16')
 Weight: 0.3kg/m (0.661lbs)

32mm (1-1/4") ROLLEASE Tube
 CODE: RTEA3T16
 O.D.: 32.8mm (1.291")
 Length: 4.87m (16')
 Weight: 0.36kg/m (0.793lbs)

38mm (1-1/2") ROLLEASE Tube
 CODE: RTEA4T16
 O.D.: 38.6mm (1.520")
 Length: 4.87m (16')
 Weight: 0.43kg/m (0.948lbs)

40mm (1.5") ACMEDA Tube
 CODE: RB93-0440-000580
 O.D.: 39.4mm (1.55")
 Length: 5.8m (19')
 Weight: 0.35kg/m (lbs)

43mm (1.7") ACMEDA Tube
 CODE: RB93-0443-000580
 O.D.: 43.3mm (1.69")
 Length: 5.8m (19')
 Weight: 0.41kg/m (lbs)

44mm (1.7") ACMEDA Tube
 CODE: RB93-0444-000580
 O.D.: 44.2mm (1.73")
 Length: 5.8m (19')
 Weight: 0.60kg/m (lbs)

Refer to Catalogue for additional S45 Tubes (RB93-x443-000580 Light & RB93-x4449-000580 Heavy Duty)
 Refer to Catalogue for corresponding Adaptors & Pin Ends for each Tube option