

**OVERVIEW: R8 R-SERIES CHAIN CONTROL SYSTEM**

For more than 30 years, Rollease Acmeda R-Series clutches have been the market leader when it comes to reliability, dependability and strength. R-Series clutches are ideal for handling commercial applications or large weights, standing up to heavy use time and time again. Our proprietary spring mechanism creates ease of pull for smooth, uninterrupted lifting of window coverings.

**AESTHETICAL FEATURES**

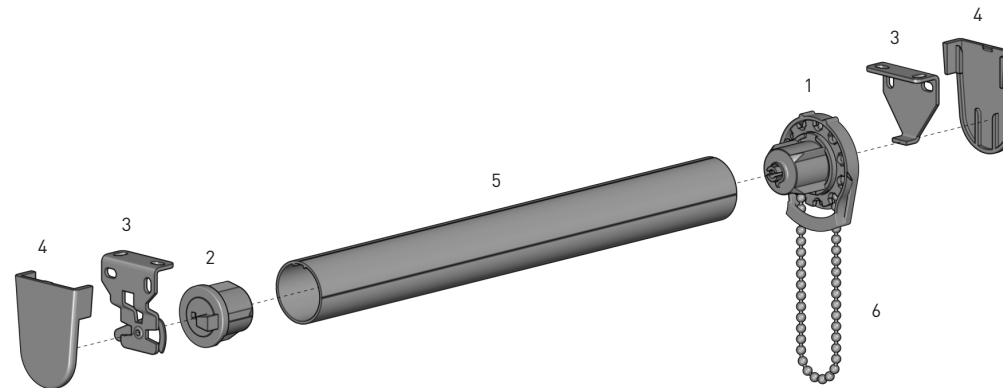
- Rounded chain guard design
- Colour coded bracket covers

**ASSEMBLY / PRODUCTION FEATURES**

- End plug bracket locking preventing slippage
- Easy chain attachment

**FUNCTIONAL BENEFITS**

- Smooth Operation
- Heavy shades feel light - Multi-spring design for easy pull
- Long lasting durability from fiberglass-reinforced resin PBT housing
- Backed by Limited Lifetime Warranty
- 3 Clutch options to allow wider spans up to 2.2m

**SYSTEM INDEX**

1	R-Series Clutch - 28/32/38mm R8C0#xx
2	R-Series End Plug - 28/32/38mm REP##xx
3	R-Series Bracket - 38p (1-1/2") RB360xx
4	R-Series Bracket Cover - 38mm (1 1/2") RBPC360xx
5	Rollease Aluminium Tube - 28/32/38mm RTEA#T6
6	Rollease Chain - 50-51BPF RB545Mxx - Metal RBC6MMxx - Plastic

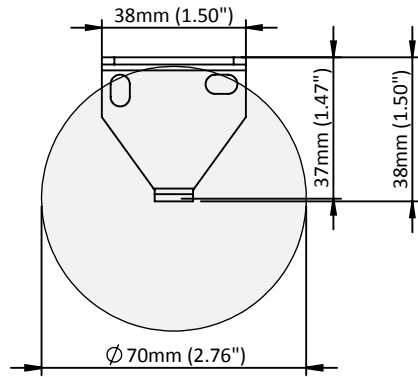
# = size  
xx = colour / finish

**COLOUR RANGE**

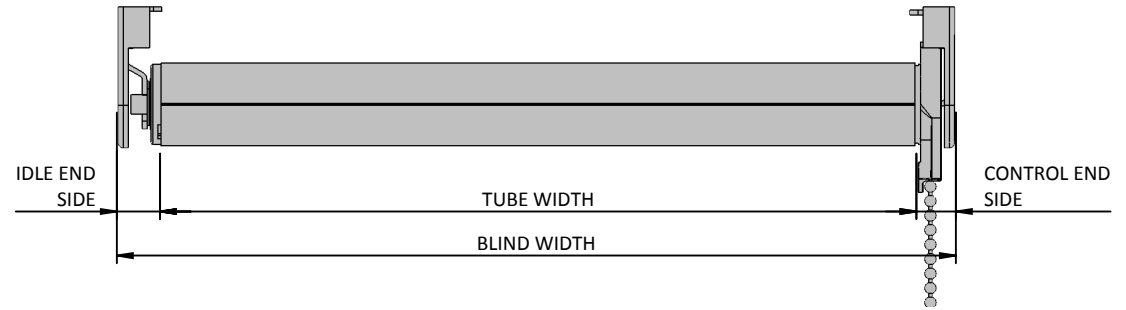
White (W)    Black (BK)

**SPECIFICATIONS: R8 R-SERIES CHAIN CONTROL SYSTEM**

**MAX ROLL**



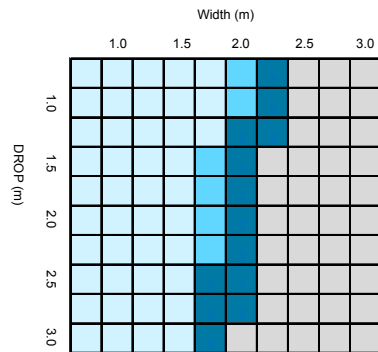
**DEDUCTION**



	IDLE END SIDE	CONTROL SIDE	OVERALL DEDUCTION
Standard Bracket - with covers	17mm (0.669")	16mm (0.630")	33mm (1.299")
Standard Bracket - with out covers	15mm (0.591")	14mm (0.551")	29mm (1.142")

**SYSTEM CAPACITY**

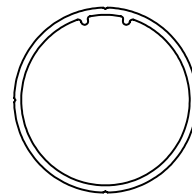
Based on Recommended User Effort



CONTROL	TUBE
<b>R8 Clutch</b>	RTEA2, RTEA3, RTEA4
	RTEA3, RTEA4
	RTEA4
OUTSIDE SPECIFICATIONS	

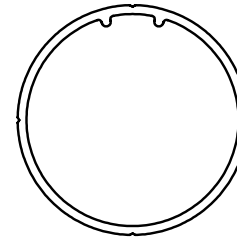
Chart based on a 28mm Rollease Tube, 420gsm fabric weight, 0.6mm fabric thickness & External Hem Bar

**TUBE SPECS**



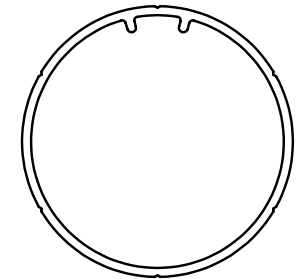
28mm (1-1/8") ROLLEASE Tube

CODE: RTEA2T6  
 O.D: 29.5mm (1.161")  
 Length: 4.87m (16')  
 Weight: 0.3kg/m (0.661lbs)



32mm (1-1/4") ROLLEASE Tube

CODE: RTEA3T6  
 O.D: 32.8mm (1.291")  
 Length: 4.87m (16')  
 Weight: 0.36kg/m (0.793lbs)



38mm (1-1/2") ROLLEASE Tube

CODE: RTEA4T6  
 O.D: 38.6mm (1.520")  
 Length: 4.87m (16')  
 Weight: 0.43kg/m (0.948lbs)