

OVERVIEW: R3 R-SERIES CHAIN CONTROL SYSTEM

For more than 30 years, Rollease Acmeda R-Series clutches have been the market leader when it comes to reliability, dependability and strength. R-Series clutches are ideal for handling commercial applications or large weights, standing up to heavy use time and time again. Our proprietary spring mechanism creates ease of pull for smooth, uninterrupted lifting of window coverings.

AESTHETICAL FEATURES

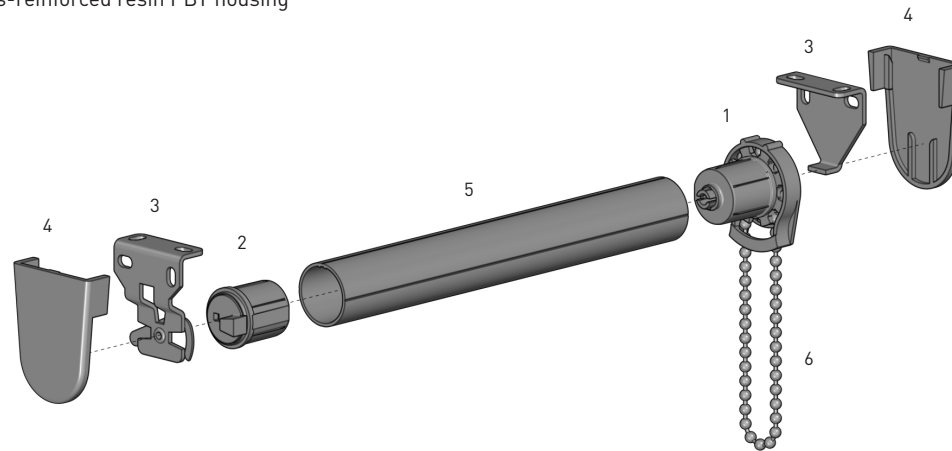
- Slim profile for small applications
- Rounded chain guard design
- Colour coded bracket covers

ASSEMBLY / PRODUCTION FEATURES

- End plug bracket locking preventing slippage
- Easy chain attachment

FUNCTIONAL BENEFITS

- Smooth Operation
- Heavy shades feel light - Multi-spring design for easy pull
- Never needs adjusting - Manufactured to tolerance within .004" (0.1mm)
- Long lasting durability from fiberglass-reinforced resin PBT housing
- Backed by Limited Lifetime Warranty



SYSTEM INDEX

- | | |
|---|---|
| 1 | R-Series Clutch - 25mm (1")
R3C02xx |
| 2 | R-Series End Plug - 25mm (1")
REP02xx |
| 3 | R-Series Bracket - 38p (1-1/2")
RB360xx |
| 4 | R-Series Bracket Cover - 38mm (1 1/2")
RBPC360xx |
| 5 | Aluminium Tube - 25mm (1")
RTEA1T6 |
| 6 | Rollease Chain - 50-51BPF
RB545Mxx - Metal
RBC6MMxx - Plastic |

= size
xx = colour / finish

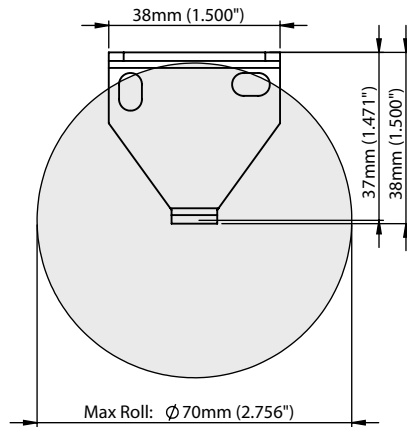
COLOUR RANGE



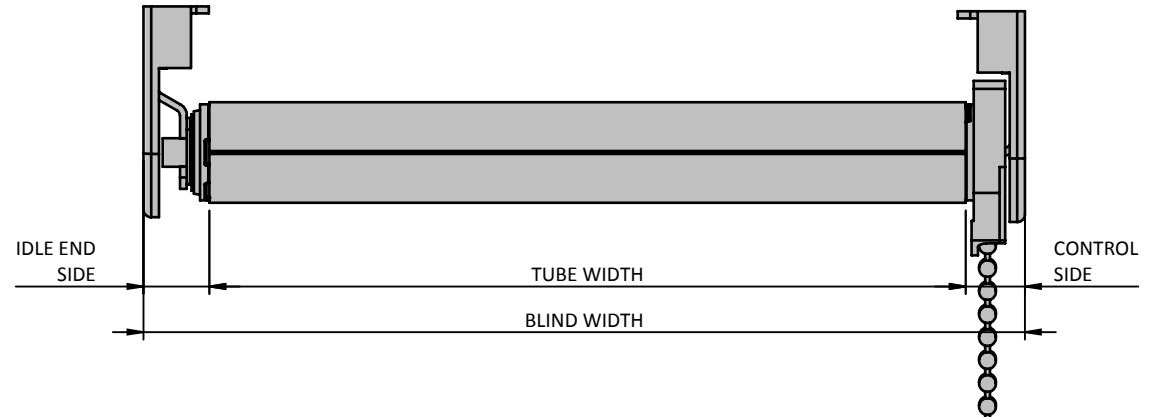
White (W) Black (BK)

SPECIFICATIONS: R3 R-SERIES CHAIN CONTROL SYSTEM

MAX ROLL



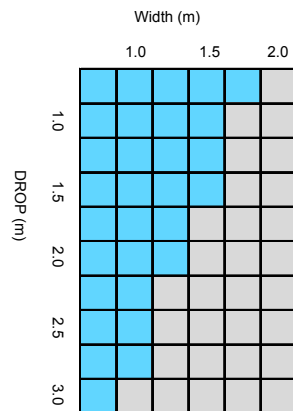
DEDUCTION



	IDLE END SIDE	CONTROL SIDE	OVERALL DEDUCTION
Standard Bracket - with covers	17mm (0.669")	16mm (0.630")	33mm (1.299")
Standard Bracket - with out covers	15mm (0.591")	14mm (0.551")	29mm (1.142")

SYSTEM CAPACITY

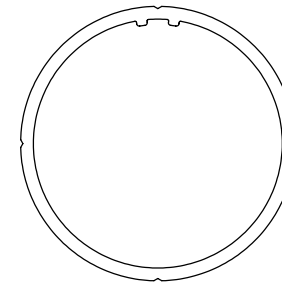
Based on Recommended User Effort



CONTROL	TUBE
R3 Clutch	RTEA1
OUTSIDE SPECIFICATIONS	

Chart based on a 25mm Rollease Tube, 420gsm fabric weight, 0.6mm fabric thickness & External Hem Bar

TUBE SPECS



25mm (1-1/2") ROLLEASE Tube

CODE: RTEA1T6
 O.D: 26.7mm (1.051")
 Length: 1.82m (6')
 Weight: 0.28kg/m (0.617lbs)