

OVERVIEW: R24 & G400 R-SERIES CHAIN CONTROL SYSTEM

For more than 30 years, Rollease Acmeda R-Series clutches have been the market leader when it comes to reliability, dependability and strength. R-Series clutches are ideal for handling commercial applications or large weights, standing up to heavy use time and time again. Our proprietary spring mechanism creates ease of pull for smooth, uninterrupted lifting of window coverings.

AESTHETICAL FEATURES

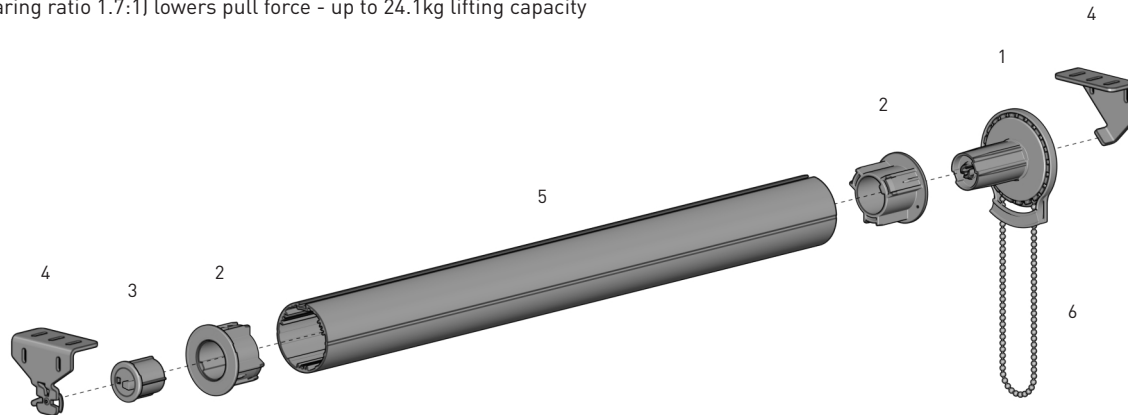
- Rounded chain guard design

ASSEMBLY / PRODUCTION FEATURES

- End plug bracket locking preventing slippage
- Easy chain attachment

FUNCTIONAL BENEFITS

- Smooth Operation
- Heavy shades feel light - Multi-spring design for easy pull
- Long lasting durability from fiberglass-reinforced resin PBT housing
- Backed by Limited Lifetime Warranty
- 2 Clutch options:
 - R24 - up to 10.9kg lifting capacity
 - Galaxy G400 geared (Gearing ratio 1.7:1) lowers pull force - up to 24.1kg lifting capacity



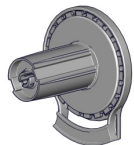
SYSTEM INDEX

1	R-Series Clutch R24C53x - R24 RGAL400x - G400 Galaxy
2	Skyline Adaptor - 50/63mm RA##xx
3	R-Series End Plug - 38mm (1-1/2") REP53xx
4	R- Series Bracket - 50p RB580xx - Standard RBGALxx - Heavy Duty
5	Rollease Aluminium Tube - 50/63mm RTEA#T16
6	Rollease Chain - 50-51BPF RB545Mxx - Metal RBC6MMxx - Plastic

= size
xx = colour / finish

PRODUCT OPTIONS

R24 CLUTCH | 50MM (2")



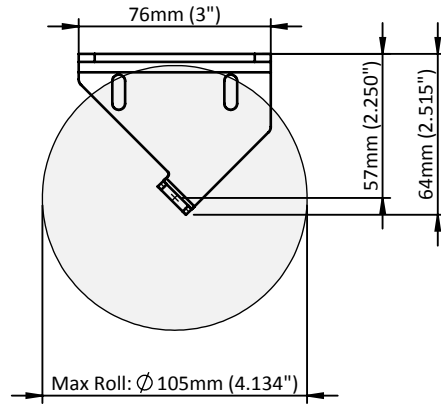
COLOUR RANGE



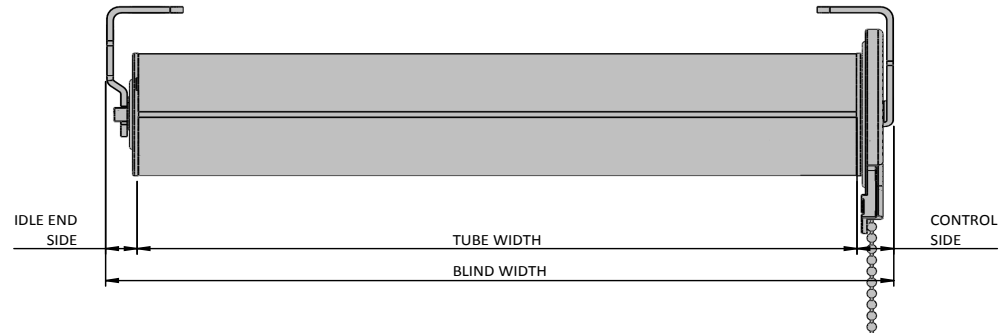
White (W)

SPECIFICATIONS: R24 & G400 R-SERIES CHAIN CONTROL SYSTEM

MAX ROLL



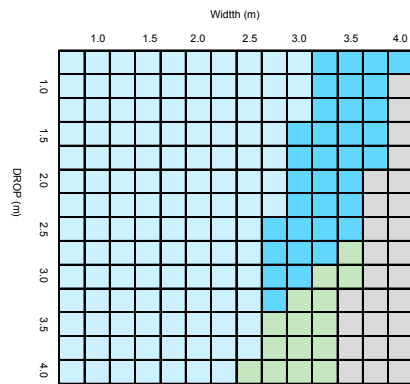
DEDUCTION



Standard Bracket	IDLE END SIDE		CONTROL SIDE		OVERALL DEDUCTION	
	R24	G400	R24	G400	R24	G400
	15mm [0.591"]	16mm [0.630"]	15mm [0.591"]	16mm [0.630"]	30mm [1.181"]	32mm [1.260"]

SYSTEM CAPACITY

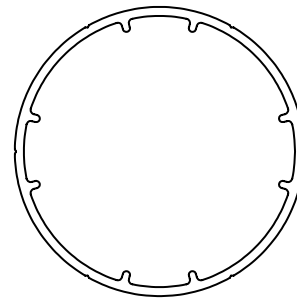
Based on Recommended User Effort



CONTROL	TUBE
R24 Clutch & G400	RTEA4, RTEA5
	RTEA5
G400	RTEA5
OUTSIDE SPECIFICATIONS	

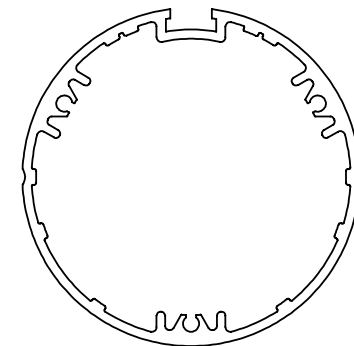
Chart based on a 50mm Rollease Tube, 420gsm fabric weight, 0.6mm fabric thickness & External Hem Bar

TUBE SPECS



50mm (2") ROLLEASE Tube

CODE: RTEA5T16
 O.D: 50.8mm [2"]
 Length: 5.8m [19']
 Weight: 0.74kg/m [1.631lbs]



63mm (2-1/2") ROLLEASE Tube

CODE: RTEA5T16
 O.D: 65.2mm [2-1/2"]
 Length: 5.8m [19']
 Weight: 1.31kg/m [2.889lbs]