

OVERVIEW: R16 & G200 R-SERIES CHAIN CONTROL SYSTEM

For more than 30 years, Rollease Acmeda R-Series clutches have been the market leader when it comes to reliability, dependability and strength. R-Series clutches are ideal for handling commercial applications or large weights, standing up to heavy use time and time again. Our proprietary spring mechanism creates ease of pull for smooth, uninterrupted lifting of window coverings.

AESTHETICAL FEATURES

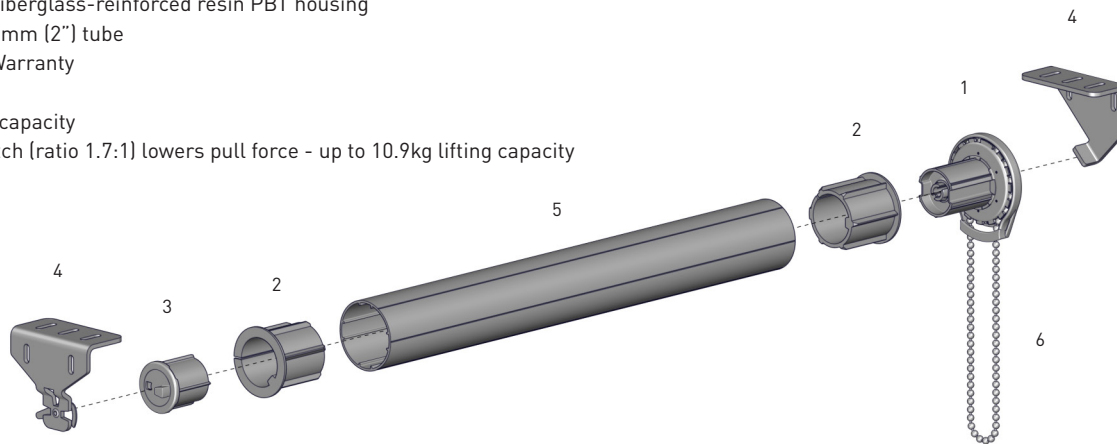
- Rounded chain guard design
- Colour coded bracket covers

ASSEMBLY / PRODUCTION FEATURES

- End plug bracket locking preventing slippage
- Easy chain attachment

FUNCTIONAL BENEFITS

- Smooth Operation
- Heavy shades feel light - Multi-spring design for easy pull
- Never needs adjusting - Manufactured to tolerance within .004" (0.1mm)
- Long lasting durability from fiberglass-reinforced resin PBT housing
- Tube Adaptor available for 50mm (2") tube
- Backed by Limited Lifetime Warranty
- 2 Clutch options:
 - R16 - up to 7.3kg lifting capacity
 - G200 Galaxy geared clutch (ratio 1.7:1) lowers pull force - up to 10.9kg lifting capacity



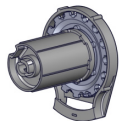
SYSTEM INDEX

- | | |
|---|--|
| 1 | R-Series Clutch - 38mm (1-1/2") R16C53x R16 RGAL200x G200 Galaxy |
| 2 | Skyline Adaptor - 50mm (2") RA2xx |
| 3 | R-Series End Plug - 38mm (1-1/2") REP53xx |
| 4 | R-Series Bracket - 38mm p RB560xx |
| 5 | Rollease Aluminium Tube - 38/50mm RTEA#T16 |
| 6 | Rollease Chain - 50-51BPF RB545Mxx - Metal RBC6MMxx - Plastic |

= size
xx = colour / finish

PRODUCT OPTIONS

R16 CLUTCH | 38MM (1 1/2")



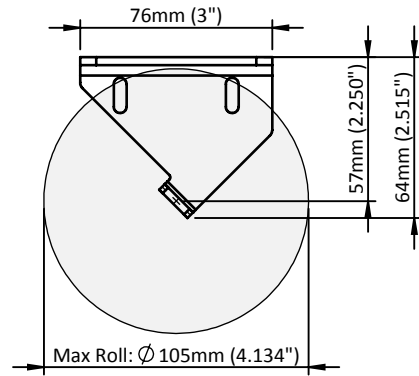
COLOUR RANGE



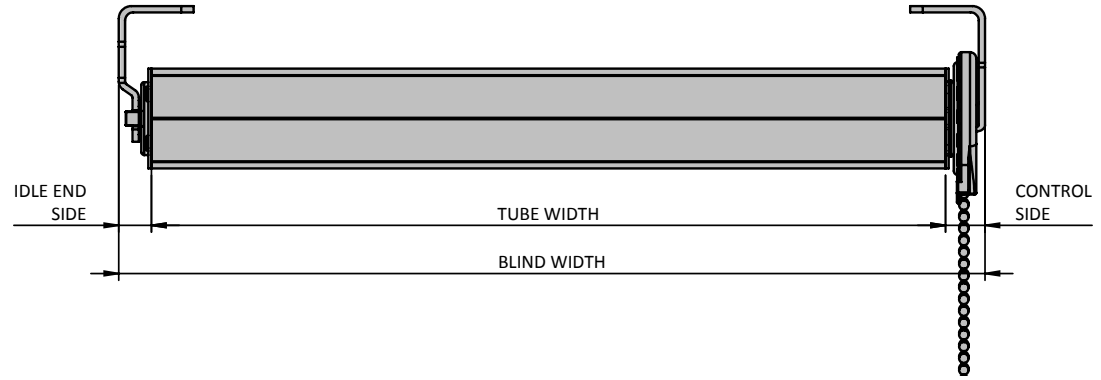
White (W)

SPECIFICATIONS: R16 & G200 R-SERIES CHAIN CONTROL SYSTEM

MAX ROLL



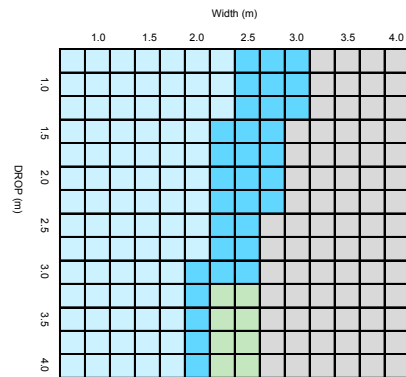
DEDUCTION



| | IDLE END SIDE | | CONTROL SIDE | | OVERALL DEDUCTION | |
|------------------|---------------|---------------|---------------|---------------|-------------------|---------------|
| | R16 | G200 | R16 | G200 | R16 | G200 |
| Standard Bracket | 15mm [0.591"] | 16mm [0.630"] | 16mm [0.630"] | 18mm [0.709"] | 31mm [1.220"] | 34mm [1.339"] |

SYSTEM CAPACITY

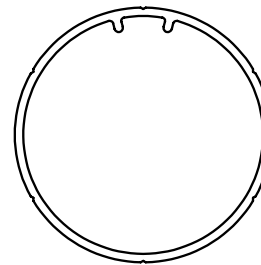
Based on Recommended User Effort



| CONTROL | TUBE |
|------------------------|--------------|
| R16 Clutch & G200 | RTEA4, RTEA5 |
| | RTEA5 |
| G200 | RTEA5 |
| OUTSIDE SPECIFICATIONS | |

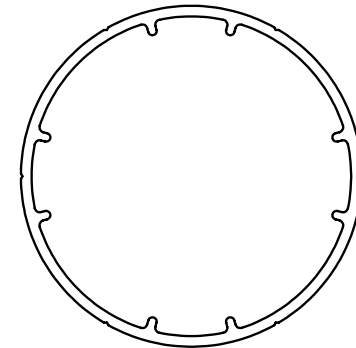
Chart based on a 38mm Rollease Tube, 420gsm fabric weight, 0.6mm fabric thickness & External Hem Bar

TUBE SPECS



38mm (1-1/2") ROLLEASE Tube

CODE: RTEA4T16
 O.D: 38.6mm [1.520"]
 Length: 4.87m [16']
 Weight: 0.43kg/m [0.948lbs]



50mm (2") ROLLEASE Tube

CODE: RTEA5T16
 O.D: 50.8mm [2"]
 Length: 5.8 [19']
 Weight: 0.74kg/m [1.631lbs]