

Skyline Li-ion 10.0Nm

The motorized Skyline roller shade system offers a range of six Automate motors with three tube diameters to suit a variety of applications. Featuring ARC (Automate Radio Communication), the 45mm Skyline Automate system provides an intelligent, Li-ion battery or a DC powered solution.

AESTHETIC FEATURES

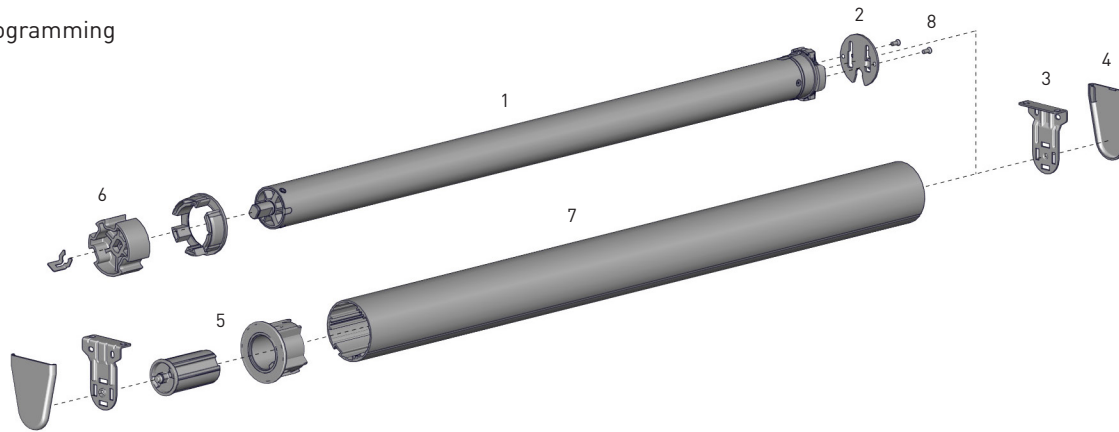
- Slim motor head for minimal light gap

ASSEMBLY / PRODUCTION FEATURES

- Greater flexibility with installation with spring loaded pin end
- Crown, drive and adapters available to suit variety of tube sizes

FUNCTIONAL BENEFITS

- Leveling control
- Simple limit setting and adjustment
- Favorite position
- 3 operational speed settings
- 2-way RF communication
- ARC protocol for simple programming



SYSTEM INDEX

- 1 Automate Motor | 45mm
a. MTDCBRF45-10
- 2 Motor Adapter
MTAD-45-SL
- 3 Brackets
SLB###x
SLNB###x
- 4 Bracket Covers
SLBC###x
SLNBC###x
- 5 Pin End & Adapter
SLPEHD53xx + RA2xx - 2" tubes
SLPEHD53xx + RA25xx - 2½" & 3¼" tubes
- 6 Crown and Drive Kit
MTCRDR-15-2SW - Kit for 2" tube
MTCRDR-45-2.5 - Kit for 2½" tube
MTCRDR-45-3.25 - Kit for 3¼" tube
- 7 Aluminium Tube
RTEA5T16 - 2" tube
RTEA6T16 - 2½" tube
RTEA7T16 - 3¼" tube
- 8 Screws for Adapter
SLAMSCREW

- Size
xxx- Color

COLOUR RANGE



CONTROL OPTIONS CHARGERS PRODUCT OPTIONS

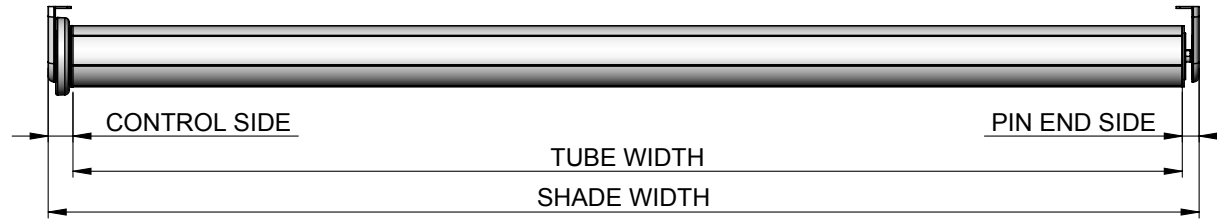
<p>REMOTES</p>	<p>WALL SWITCH</p>	<p>SMART HOME</p>	<p>PULSE</p>	<p>ELECTRIC</p>	<p>SOLAR</p>	<p>SUN SENSOR</p>
-----------------------	---------------------------	--------------------------	---------------------	------------------------	---------------------	--------------------------

SYSTEM UPGRADES

- LINK SYSTEM

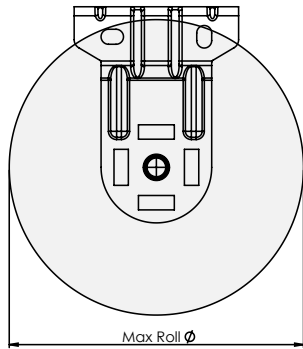
SPECIFICATIONS

DEDUCTION CHART



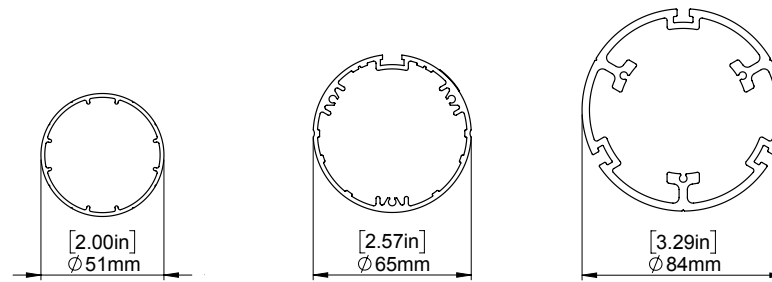
MOTOR	TUBE	BRACKETS	PIN END	CONTROL SIDE	OVERALL DEDUCTION
MTDCBRF45-10	2" Tube	With Bracket Covers	.59" [15mm]	.91" [23mm]	1.50" [38mm]
		No Bracket Covers	.55" [14mm]	.83" [21mm]	1.38" [35mm]
	2½" Tube	With Bracket Covers	.59" [15mm]	.83" [21mm]	1.42" [36mm]
		No Bracket Covers	.55" [14mm]	.75" [19mm]	1.30" [33mm]
	¾" Tube	With Bracket Covers	.59" [15mm]	.87" [22mm]	1.46" [37mm]
		No Bracket Covers	.55" [14mm]	.79" [20mm]	1.30" [34mm]

MAX ROLL



BRACKET	MAX ROLL SIZE
SLxx660xx	3" [76.2mm]
SLxx680xx	4" [101.6mm]
SLxx690xx	5" [127.5mm]

TUBE SPECS.



2" Tube

Code: RTEASW5T14 (with tape)
RTEASW5U14 (without tape)

OD: 2.0" (51mm)
Length: 16 feet (4.88 Meters)

2½" Tube

Code: RTEA6T16 (with tape)

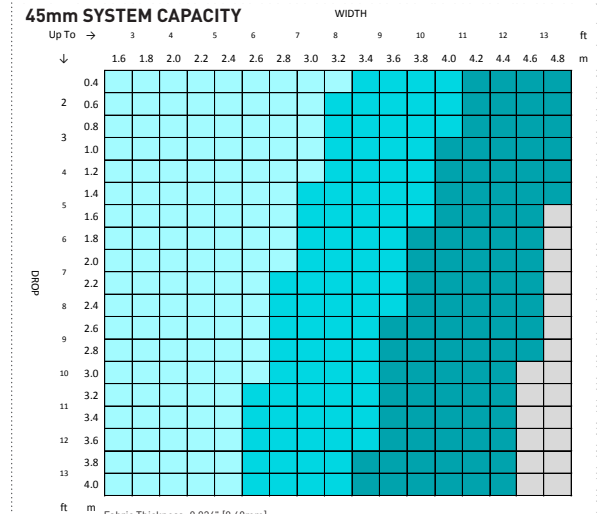
OD: 2.5" (65mm)
Length: 16' (4.88m)

¾" Tube

Code: RTEA7T16 (with tape)

OD: 3.25" (83mm)
Length: 16' (4.88m)

45mm SYSTEM CAPACITY



Fabric Thickness: 0.024" [0.60mm]
Fabric Density: 12.39oz/yd² [420gsm]
Weight Bar: D30 Silent Medium Aluminium Bottom Rail

CONTROL	TUBE	OUTSIDE SPECIFICATION
45mm Motor	RTEAST# - 2.0"	
	RTEAST# - 2.5"	
	RTEA7TH - 3.25"	