

AUTOMATE | Li-ion 1.1

Part #: MTDCBRF25-1.1

DC Tubular motor with in-built Lithium-ion rechargeable battery.

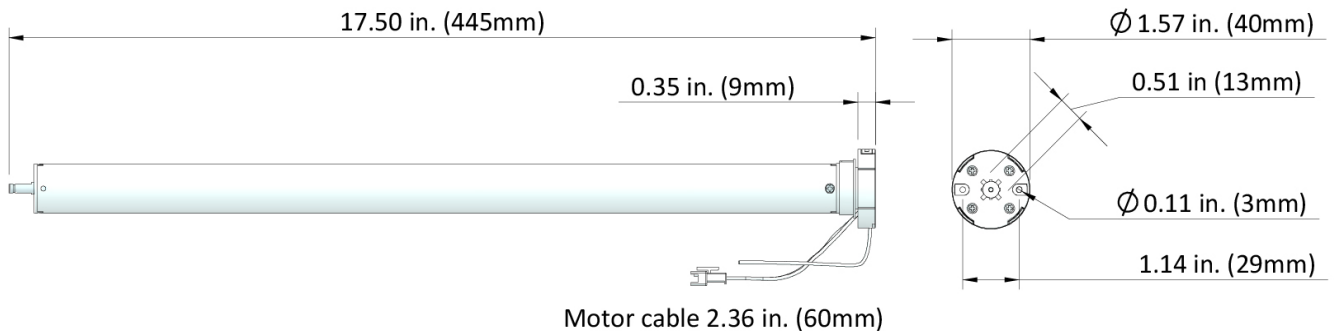
FEATURES

- Levelling Control
- Simple limit setting and adjustment
- Favorite position
- 3 operational speed settings available
- 2 way RF communication
- Rechargeable built in Li-ion battery
- New ARC protocol for simple programming.

TECHNOLOGIES



DIMENSIONS



SPECIFICATIONS

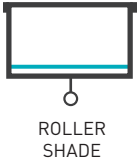
Voltage	12	IP Rating	IP44
Torque	1.1Nm	Limit Switch Type	Electronic
Max Run Time	10 min	Amps	0.83A
Speed	40 RPM (Adjustable to 30 or 20)	Battery Size/Type	1400mAH
Radio Frequency	433.92 MHz	Temp Working Range	32°F to 140°F (0°C to 60°C)
RF Modulation	FSK	Insulation Class	III

Leading innovator of precision hardware and automated shade solutions.
AUSTRALIA | USA | EUROPE rolleaseacmeda.com

© Rollease Acmeda Group

 **ROLLEASE
ACMEDA**
PRECISION IN MOTION

APPLICATIONS



COMPATIBLE SYSTEMS

- S35 Roller System.
- S40 Roller System.
- S45 Roller System.

ACCESSORIES

CHARGING SOLUTIONS	12V Li-ion Charger - EU Part #: MTDCB-CHARGE-EU
EXTENSION CABLES	12V Li-ion Charger Cable ext 96"/2440mm Part #: MTDCB-CBLXT96
	12V Li-ion Charger Cable ext 48"/1220mm Part #: MTDCB-CBLXT48
	12V Li-ion Charger ext 6"/155mm Part #: MTDCB-CBLXT6
	Paradigm 1CH ARC Remote Part #: MTRF-REM-1
CONTROLS	Paradigm 15CH ARC Remote Part #: MTRF-REM-15
	Interior Sun Sensor Part #: MTRF-SUNSENS
	Automate Pulse Part #: MTRF-PULSE-EU
CROWN AND DRIVES	Crown and Drive Set 25mm motor to S35 Part #: MTCRDR-25-S35
	Crown and Drive Set 25mm motor to S40 Part #: MTCRDR-25-S40
	Crown and Drive Set 25mm motor to S45 Part #: MTCRDR-25-S45



Leading innovator of precision hardware and automated shade solutions.
AUSTRALIA | USA | EUROPE rolleaseacmeda.com

© Rollease Acmeda Group

