

MOTORISED S60 ZIPSCREEN & WIREGUIDE SYSTEM – AUTOMATE FT MOTOR

The Automate FT Motor features advanced fabric tension technology, ideal for external blinds, providing perfectly taut aesthetic which secures the blind in windy conditions to ensure product longevity. The FT motor provides a complete motorised solution for our popular External Wire Guide and ZipScreen systems.

FUNCTIONAL BENEFITS

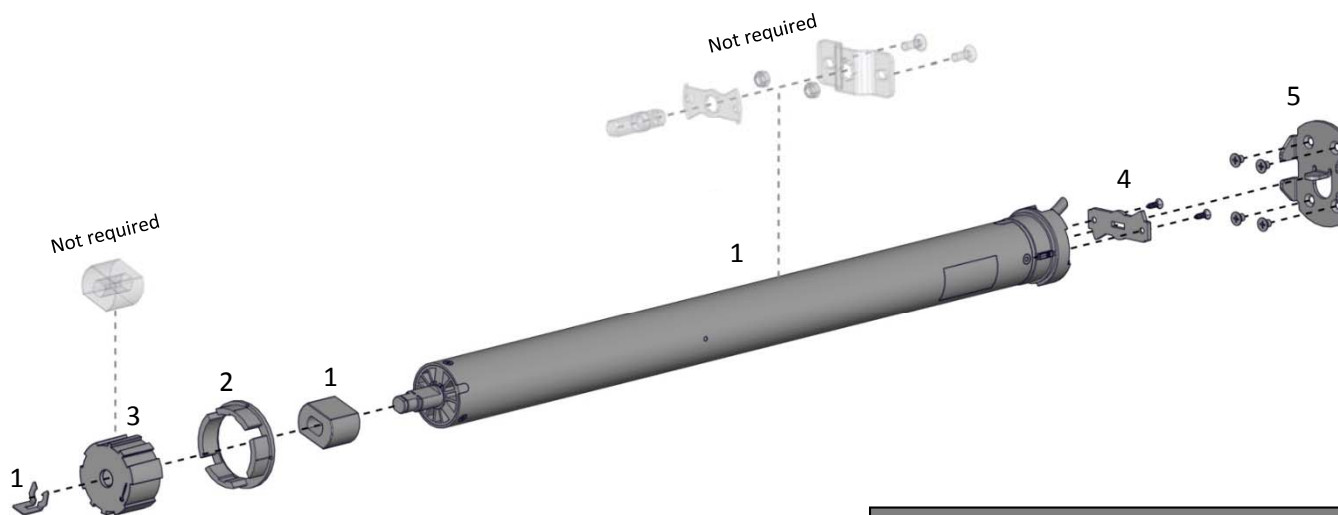
- AUTOMATE | FT MOTOR is a multifunction tubular motor offering three different modes of operation;
 - E-type for standard use,
 - MANUAL FT Mode for use with conventional locking devices with fabric tensioning,
 - AUTO FT Mode for use with Rollease Acmeda's proprietary ULTRA LOCK providing automatic fabric tensioning.
- Activating fabric tension (FT) mode delivers a choice of 3 distinct tensioning levels to suit a wide range of sizes and external applications.
- Functional options in each operating mode include; IMPACT DETECTION & FAVOURITE POSITION.
- Impact detection senses an obstacle in the blinds path and redirects the blind to protect the motor, hardware and fabric, ensuring product longevity.
- An intermediate setting allows for a customised favourite position to be pre-set.

PRODUCTION / ASSEMBLY FEATURES

- Quick & easy assembly of components
- Easily integrated into ZipScreen & External Wire Guide Systems.

AESTHETICAL FEATURES

- Neatly finished minimalistic parts & Remote controls.



COMPATIBLE WITH

ZIPSCREEN – ULTRA-LOCK



WIRE GUIDE – ULTRA-LOCK



SYSTEM INDEX

1	Automate FT Motor RB24-6001-069005
2	M50 Automate Crown Wheel S60 RB56-0136-050508 (60mm Tube) RB56-0138-050508 (80mm Tube)
3	M50 Automate Drive Wheel Set S60 RB56-0105-050518
4	M50 Automate Motor Head Plate S60 RB56-0711-050509
5	M50 Automate Motor Adaptor Set S60 RB56-0701-xxx508

xxx = Colour

MOTOR SPECIFICATIONS

Rated Torque	15 Nm
Output Speed	15 rpm
Tube Diameter	45mm
Rated Voltage	220-240V
Frequency	50Hz
Rated Power	140W
Rated Current	0.61A
Continuous Running Time	4min
Protection Degree	IP44
Weight Capacity 60mm	40Kg
Weight Capacity 80mm	30Kg
Dimensions (length)	625mm

AUTOMATE CONTROLS

RF500



Single & Fifteen Channel

RF400



Single/Timer & Fifteen Channel

A.R.T SERIES



Solar or Wired Wind/Light sensor



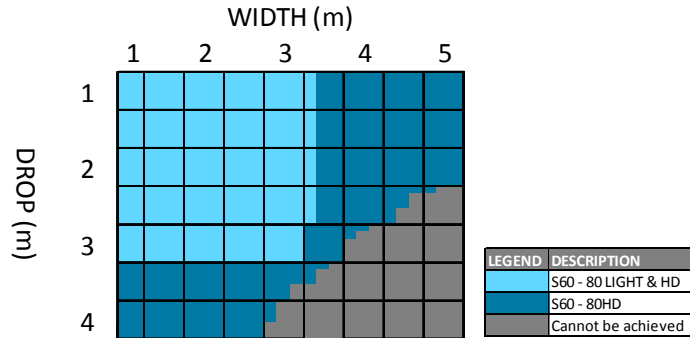
Motion Sensor

MOTORISED S60 ZIPSCREEN & WIREGUIDE SYSTEM – AUTOMATE FT MOTOR

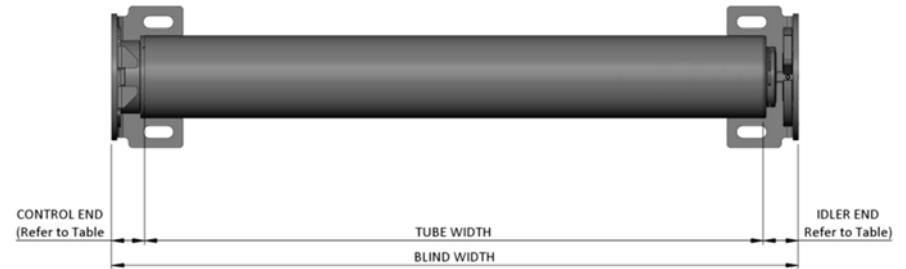
ZIPSCREEN SYSTEM SPECS



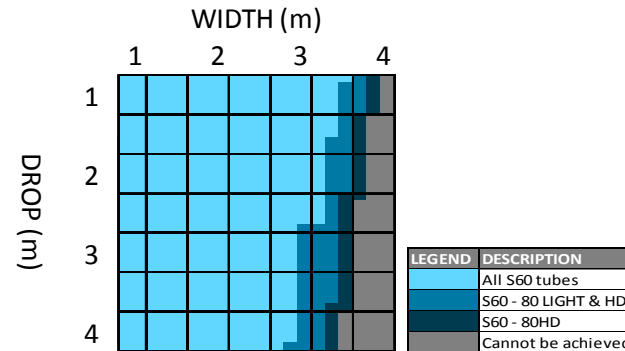
FIXING	TUBE	CONTROL END	IDLER END	OVERALL DEDUCTION
Side Fix	S60 80 LIGHT & HD	54mm (2.12")	54mm (2.12")	108mm (4.25")
Face Fix	S60 80 LIGHT & HD	57mm (2.24")	57mm (2.24")	114mm (4.48")



EXTERNAL WIRE GUIDE SYSTEM SPECS



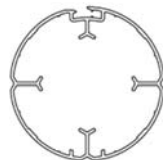
FIXING	TUBE	CONTROL END	IDLER END	OVERALL DEDUCTION
Side Fix	S60 80 LIGHT & HD	54mm (2.12")	54mm (2.12")	108mm (4.25")
Face Fix	S60 80 LIGHT & HD	57mm (2.24")	57mm (2.24")	114mm (4.48")



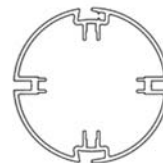
ALUMINIUM TUBES



S60 | 60 STANDARD TUBE
Code: RB91-0260-000580
OD: 60mm
Length: 5.8m



S60 | 80 LIGHT TUBE
Code: RB93-0282-000580
OD: 80mm
Length: 5.8m



S60 | 80 HEAVY DUTY TUBE
Code: RB91-0280-000480 | 4.8m
RB91-0280-000580 | 5.8m
OD: 80mm
Length: 4.88 & 5.8m

NOTE: For full list of deductions, please refer to the Manufacturing Manual of the system in which the Automate FT Motor will be used.