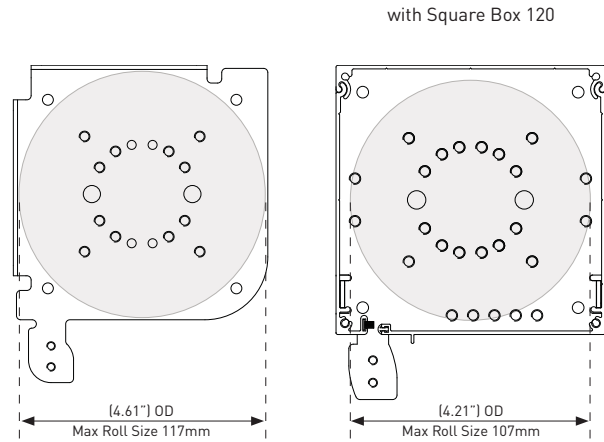
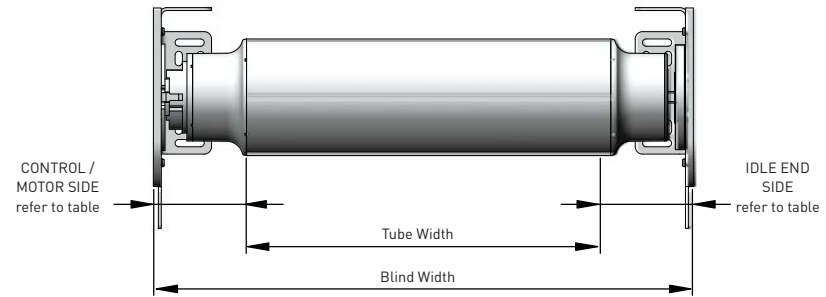


SPECIFICATIONS: ZIPSCREEN

MAX ROLL



DEDUCTIONS



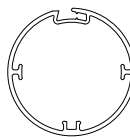
TUBE WIDTH = BLIND WIDTH - (Control Side + Idle End)

SYSTEM	FIXING	TUBE	CONTROL / MOTOR SIDE	IDLE END SIDE	OVERALL DEDUCTION
				PRE-TENSION IDLER	
RB10 Spring System	Side Fix	S60 - 60STD	64mm [2.51"]	64mm [2.51"]	128mm [5.03"]
		S60 - 80 LIGHT & HD	54mm [2.12"]	54mm [2.12"]	108mm [4.25"]
	Face Fix	S60 - 60STD	66mm [2.59"]	66mm [2.59"]	132mm [5.19"]
		S60 - 80 LIGHT & HD	57mm [2.24"]	57mm [2.24"]	114mm [4.48"]
RB05 Crank Gear System	Side Fix	S60 - 60STD	60mm [2.36"]	64mm [2.51"]	124mm [4.88"]
		S60 - 80 LIGHT & HD	57mm [2.24"]	54mm [2.12"]	111mm [4.37"]
	Face Fix	S60 - 60STD	63mm [2.48"]	66mm [2.59"]	129mm [5.07"]
		S60 - 80 LIGHT & HD	60mm [2.36"]	57mm [2.24"]	117mm [4.60"]
RB56 50mm Motorised System	Side Fix	S60 - 80 LIGHT & HD	54mm [2.12"]	54mm [2.12"]	108mm [4.25"]
	Face Fix	S60 - 80 LIGHT & HD	57mm [2.24"]	57mm [2.24"]	114mm [4.48"]

CAPACITY

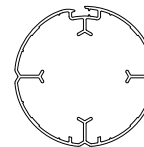


ALUMINIUM TUBES



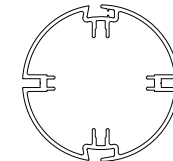
S60 | 60 STANDARD Tube

CODE: RB91-0260-000580
 O.D: 60mm
 Length: 5.8metres



S60 | 80 LIGHT Tube

CODE: RB93-0282-000580 - 5.8m
 O.D: 80mm
 Length: 5.8metres



S60 | 80 HEAVY DUTY Tube

CODE: RB91-0280-000480 - 4.8m
 RB91-0280-000580 - 5.8m
 O.D: 80mm
 Length: 4.8 & 5.8metres