

F56 EXTERNAL WEIGHT BAR & LOCK SET

The latest light weight F56 weight bar, works seamlessly with our Zipscreen, Wire Guide and Straight Drop External systems and features the well anticipated patented Ultra-Lock to secure the blind with ease.

AESTHETICAL FEATURES

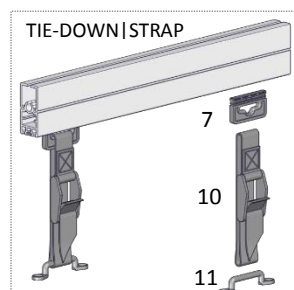
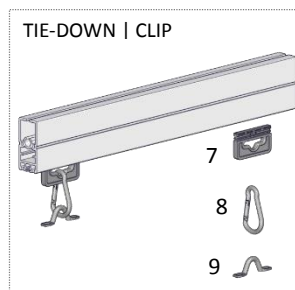
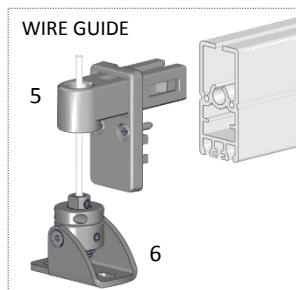
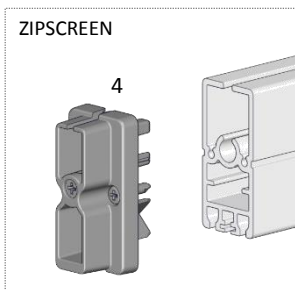
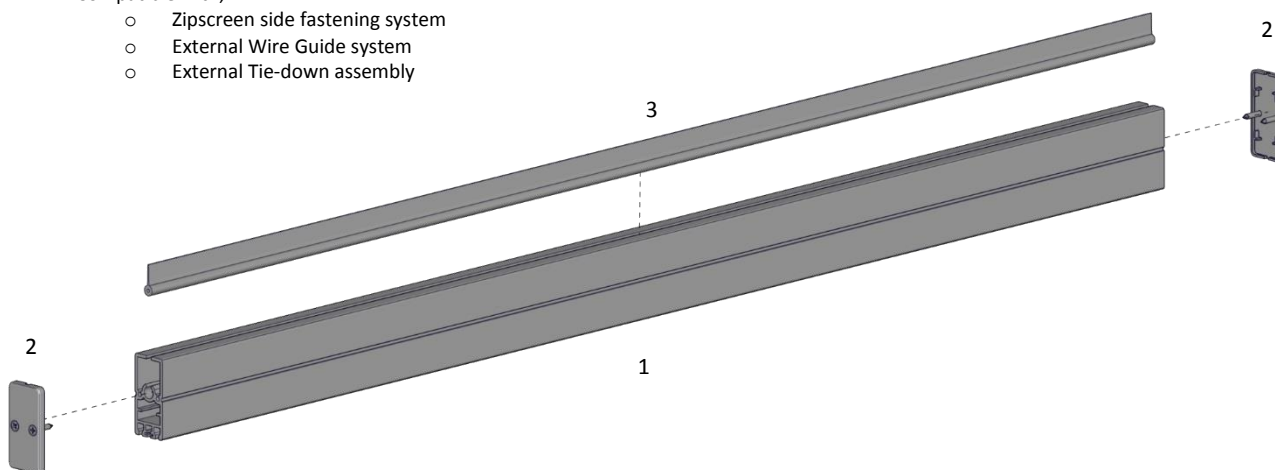
- Recessed end cap fixing screws for a neat flush finish.

PRODUCTION / ASSEMBLY FEATURES

- Weight bar location groove allowing the Ultra-Lock & handle to be easy positioning and fixed.
- Weight bar features keyway mounted sliding strap down loop for easy and fastener-free assembly
- Compatible with existing HDG ballast and new Tail Spline.
- Zipscreen end caps features additional central retaining screw to secure tail spline and minimise fabric pocketing.

FUNCTIONAL BENEFITS

- Rigid weight bar offering improved performance for larger spans.
- Optional patented Ultra-lock for Zipscreen & Wire Guide, designed to lock and secure the blind with ease. Locking / unlocking can be achieved from either one side, or pair with our Automate FT motor for an ultimate automated locking solution.
- Tie-down options: quick connect spring clip or level adjustable Tie-down strap assembly
- Compatible with;
 - Zipscreen side fastening system
 - External Wire Guide system
 - External Tie-down assembly



SYSTEM INDEX

1.	F56 Weight Bar RE15-0101-xxx580
2.	F56 Weight Bar End Cap Set - Plain RE15-0501-xxx000
3.	Tail Spline – 15mm SB91-0408-001015
4.	F56 Weight Bar End Cap Set - Zipscreen RE20-0302-xxx001
5.	F56 Weight Bar End Cap Set - Wire Guide RE24-2205-xxx000
6.	Bottom Wire Guide Swivel Bracket RE15-0601-xxx001
7.	Cam Buckle & Strap Assembly RE91-1102-xxx025
8.	Tie Down Spring Clip – 50mm RE91-1103-xxx050
9.	Tie-down Saddle – 30mm RE91-1104-xxx030
10.	Tie-down Strap Assembly - 25mm RE91-0100-xxx025
11.	Footman's Loop - 25mm RE91-1101-xxx025
12.	Zipscreen Ultra-Lock Set RE15-0102-xxx001/2
13.	Wire Guide Ultra-Lock Set RE15-0102-xxx001

COLOUR RANGE



OPTIONAL EXTRAS

