

OVERVIEW: ZIPSCREEN EXTREME

The ZIPSCREEN EXTREME system is an integration of the popular Zipscreen and robust Extreme products, to produce a wide screen retention solution capable of producing shades up to 7m (23') in width and 5m (16.5') drops. Utilising stainless steel hardware, a premium aluminium cassette* and a choice of 110mm (4.3") or 130mm (5.1") aluminium tubes, Zipscreen Extreme can be used internally or externally.

AESTHETIC FEATURES

- Stylish cassette hides componentry while offering a sophisticated overall look*.
- Cassette features colour matched end plates*.
- Robust design that is aesthetically simplified.
- Ability to create shade for openings up to 7m in width.
- Side retention system to keep fabric secure in channels.
- Mill extrusions can be powder-coated to suit consumer requirements.

ASSEMBLY / INSTALLATION BENEFITS

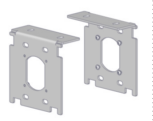
- Achieves wider spans without the need for divider posts.
- Adjustable side guides to enable installation in out of square areas.
- Universal bracket for Top, Side or Face fix applications.
- Bracket slot for accurate side guide installation.

FUNCTIONAL BENEFITS

- External grade stainless steel and zinc-plated hardware.
- Cassette provides added protection for fabric roll*.
- System can achieve the largest spans and drops than an external retention blind competitor.
- Bearing idlers for frictionless operation.
- Coastal approved.

SYSTEM OPTIONS

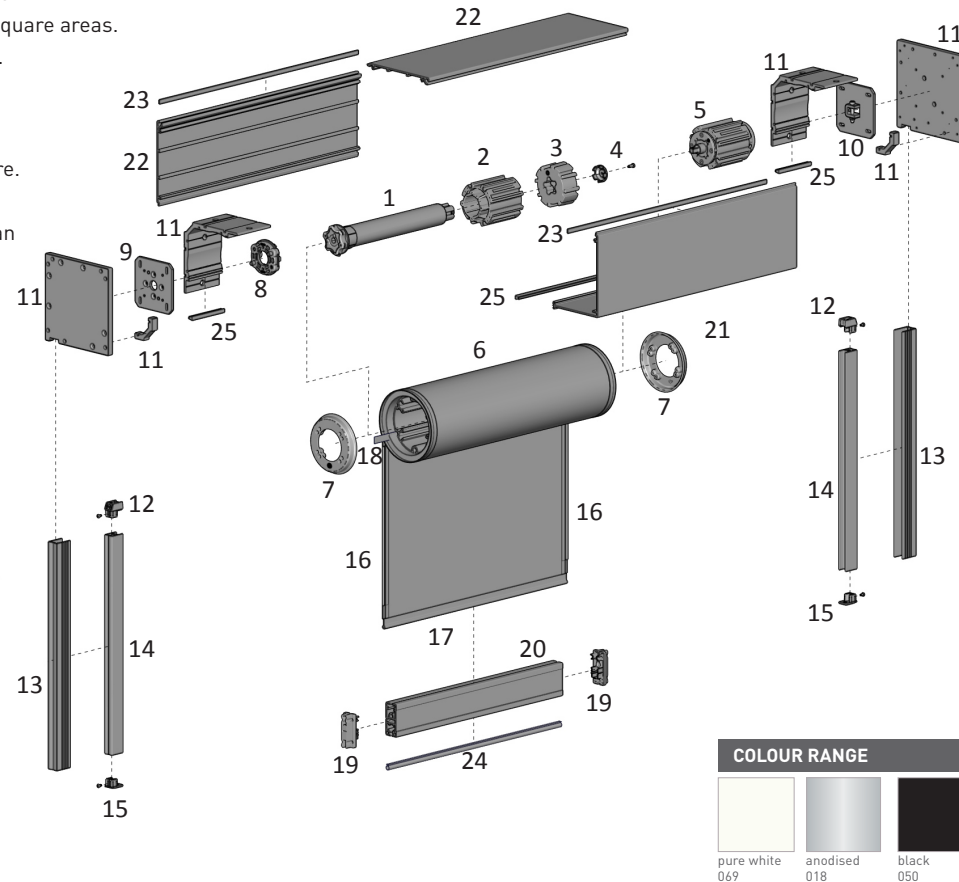
OPEN



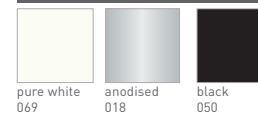
JOINER



FABRIC BRUSH



COLOUR RANGE



SYSTEM INDEX

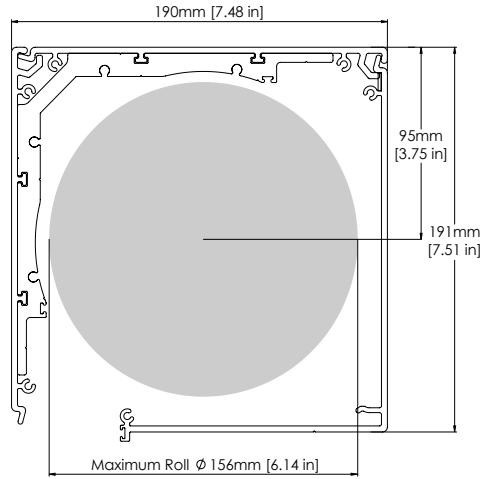
1	M50 Motor [Non Acmeda Item]
2	Extreme Crown Wheel – S100 RB80-0701-073100
3	Extreme Drive Wheel – S100 RB80-0301-073100
4	Somfy Clip [Non Acmeda Item]
5	Extreme Bearing Idler RB80-0201-073100
6	S100 Aluminium Tubes RB93-0110-096600 RB93-0130-xxxLLL
7	Zipscreen Extreme Reducer Set RB80-0501-0501x0
8	Universal Zamak Adapter RB56-0762-014050
9	Extreme Sq. Cntrl Bracket Plate – SIDE FIX RB80-1501-xxx110
10	Extreme Sq. Idle Bracket Plate – SIDE FIX RB80-1502-xxx110
11	Extreme Cassette End Plate & Screws for both sides RE01-1105-xxx000
12	Zipscreen Inner Rail Funnel & Stop Set SB05-1411-050001
13	Zipscreen – U Mounting Rail SB04-0702-xxx550
14	Zipscreen – Zip Inner Rail SB04-0701-xxx550
15	Zipscreen – Zip Inner Rail Bottom Cap Set SB05-1511-050001
16	Zip – No.6 Gauge
17	Spline – Round 6mm [Non Acmeda Item]
18	15mm Flat Spline RB92-1501-001100
19	F72 Weight Bar End Caps + Screws RE15-0511-xxx000
20	F72 External Weight Bar RE15-0111-xxxLLL
21	Extreme Cassette Front Cover Extrusion* RE01-0107-xxxLLL
22	Extreme Cassette Top & Back Extrusion* RE01-0106-xxxLLL
23	Foam Tape SB91-0516-xxx009
24	Bubble Seal Strip SB91-0001-xxxLLL
25	Fabric Brush - T-Slot Fit - 10mm High SB91-0012-050300

xxx = colour
= size /type

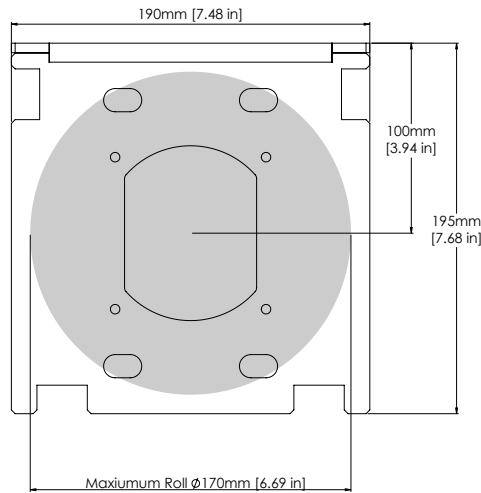
SPECIFICATIONS: ZIPSCREEN EXTREME

MAX ROLL

EXTREME ZIPSCREEN BOX 190*



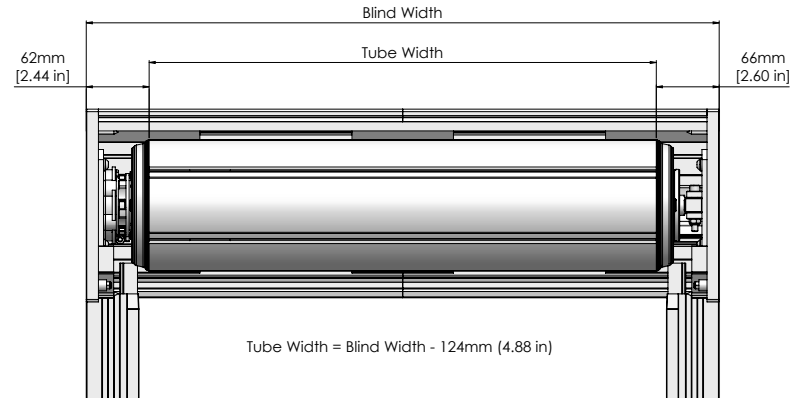
EXTREME ZIPSCREEN OPEN



*Stocked in AU - Special order in US

DEDUCTIONS

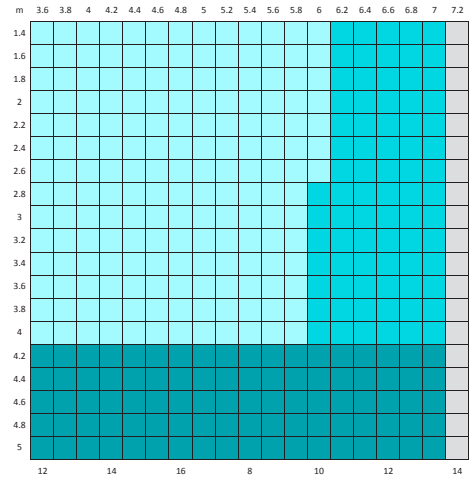
EXTREME ZIPSCREEN BOX 190 EXAMPLE*



Configuration	Control End	Idler End	Total
Box 190*	62mm [2.44 in]	66mm [2.60 in]	128mm [5.04 in]
Extreme Open	55mm [2.17 in]	59mm [2.32 in]	114mm [4.49 in]

Refer Product Specifications Manual for further details.

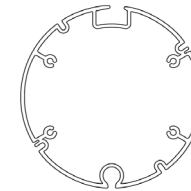
CAPACITY



LEGEND	DESCRIPTION
Light Blue	110 Tube, 110 Box 190, 130 Tube, 130 Box 190
Medium Blue	130 Tube, 130 Box 190
Dark Blue	130 Tube
Grey	Outside Specifications

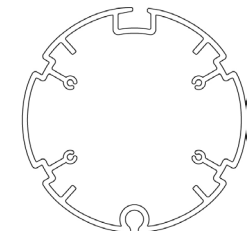
Refer Product Specifications Manual for further details. Box 190 is AU ONLY.

ALUMINIUM TUBES



S100 | 100 STANDARD

CODE: RB93-0110-096600
 O.D: 110mm [4.3"]
 Length: 6metres [19.7']



S100 | 130 HEAVY DUTY

CODE: RB93-0130-096600 - 6m [19.7']
 RB93-0130-000700 - 7m [23']
 O.D: 130mm [5.1"]
 Length: 6 & 7metres [23']