



YUKI

INSTALLATION MANUAL

v1.0 | February 2024



CONTENTS

SECTION 1 WARRANTY	3
SECTION 2 PRIOR TO INSTALLATION	4
SECTION 3 INSTALLATION	5
MOUNTING BRACKET INSTALLATION	5
END PLATE PREPARATION	6
AWNING INSTALLATION	7
SECTION 4 ADJUSTING THE AWNING	8

DISCLAIMER

INTRODUCTION

This Installation manual has been produced by Rollease Acmeda to supply the necessary information for safe and correct installation of the awning.

DISCLAIMER

Rollease Acmeda has used reasonable care in preparing the information included in this document, but makes no representations or warranties as to the completeness or accuracy of the information. Information is supplied upon the condition that the persons receiving the information will make their own determination as to its suitability for their purposes prior to use. Rollease Acmeda assumes no liability whatsoever for any damages incurred by you resulting from errors in or omissions from the information included herein. Rollease Acmeda reserves the right to make changes without further notice to any products to improve reliability, function or design.

COPYRIGHT

COPYRIGHT © ROLLEASE ACMEDA

All rights are reserved. No part of this document may be reproduced or utilised in any means, by any means, electronic or mechanical including photocopying, recordings, or by any information storage or retrieval system, without the express permission from Rollease Acmeda.

WARRANTY

Rollease Acmeda provide a 5 year hardware warranty against defects to the original purchaser [the fabricator/manufacturer].

The hardware warranty is not to be transferred to the end consumer.

The hardware warranty is limited to the repair or resupply of defective hardware components to the fabricator/manufacturer only.

The hardware warranty is applicable to normal use.

The hardware warranty when applied to external systems assumes the blinds are not used in strong winds/storms and not left down indefinitely.

The hardware warranty will not apply where the defect arises due to incorrect assembly and installation.

The hardware warranty is not applicable for coastal applications unless specified.

Retailers are obliged to supply consumers with their own warranty, if required, at the point of purchase.



SECTION 2 | PRIOR TO INSTALLATION

INSTALLERS RESPONSIBILITY

Before installing, please read & ensure you understand the safety information and installation instructions as defined in this installation manual.

- If you do not fully understand these instructions, contact Rollease Acmeda for clarification before installing.
- The Installer is responsible to ensure that all installation personnel have been adequately trained on the safe & correct installation and operation.
- The Installer is responsible to ensure that a Job Safety Analysis or Safe Work Method Statement is completed prior to installation to identify hazards, to determine appropriate risk control measures and to implemented the control measures.
- The Installer is responsible to ensure that supporting structures are sound and can adequately support the load.
- The Installer is responsible to ensure that the devices used to anchor the product to the supporting structure are suitable for the application.

SAFETY INFORMATION

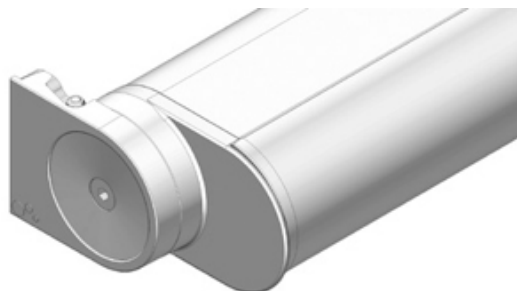
- Ensure Job Safety Analysis/Safe Work Method Statement is completed and actions to reduce risks are implemented.
- Ensure that electrical works are done only by a LICENSED ELECTRICIAN.
- DO NOT modify any of the components of this system.
- Only suitable trained/qualified personal should undertake installation.

ITEMS REQUIRED

Brackets



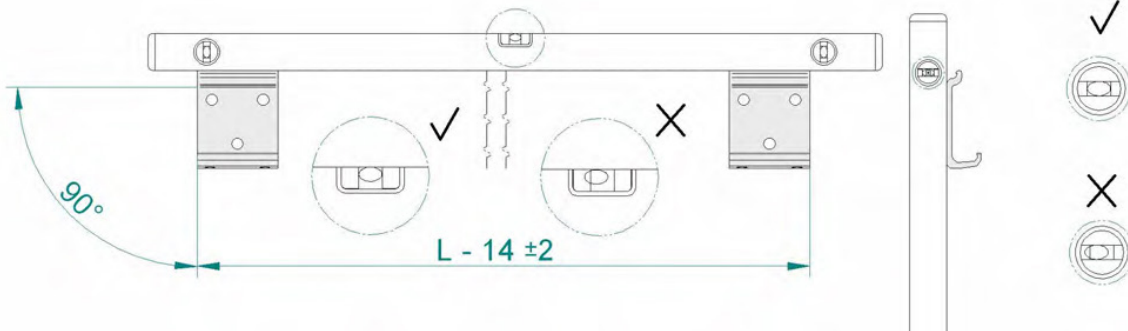
Assembled Awning



MOUNTING BRACKET INSTALLATION

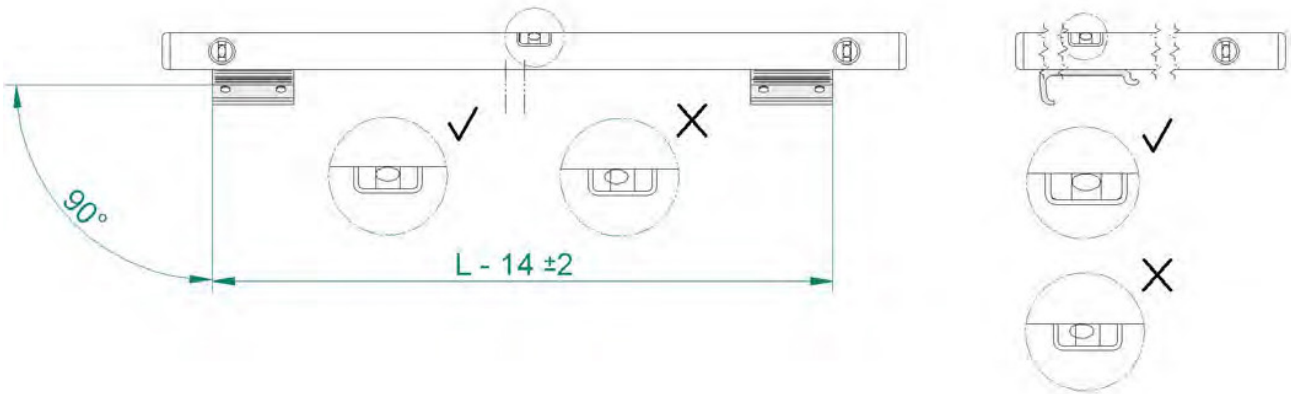
WALL MOUNT

Define the distance of the brackets and position them on the awning assembly frame.
 L is the width of the awning.
 Use anchors M10, or at most M12.

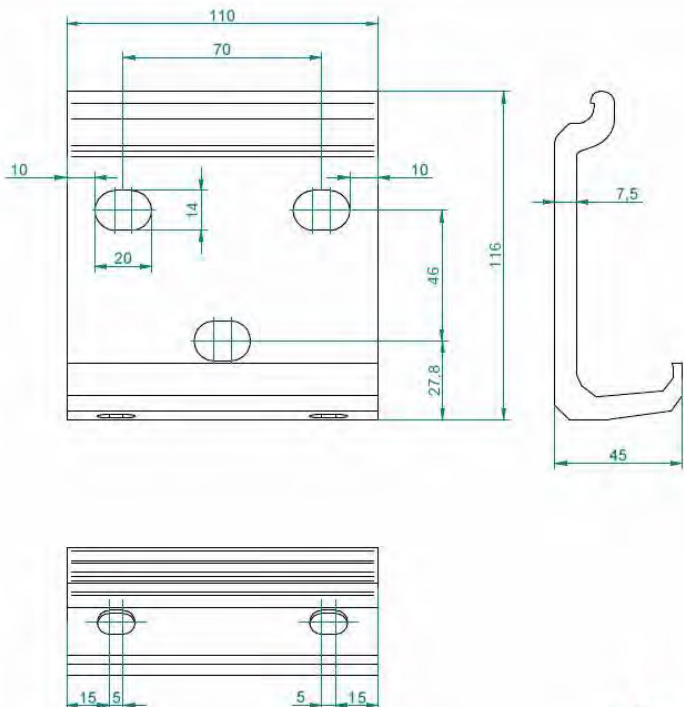
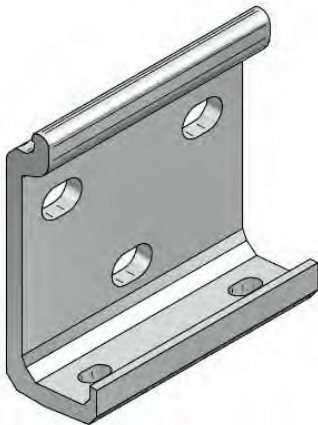


CEILING MOUNT

Define the distance of the brackets and position them on the awning assembly frame.
 L is the width of the awning.
 Use anchors M10, or at most M12.



FIXING BRACKET



END PLATE PREPARATION

CEILING MOUNT

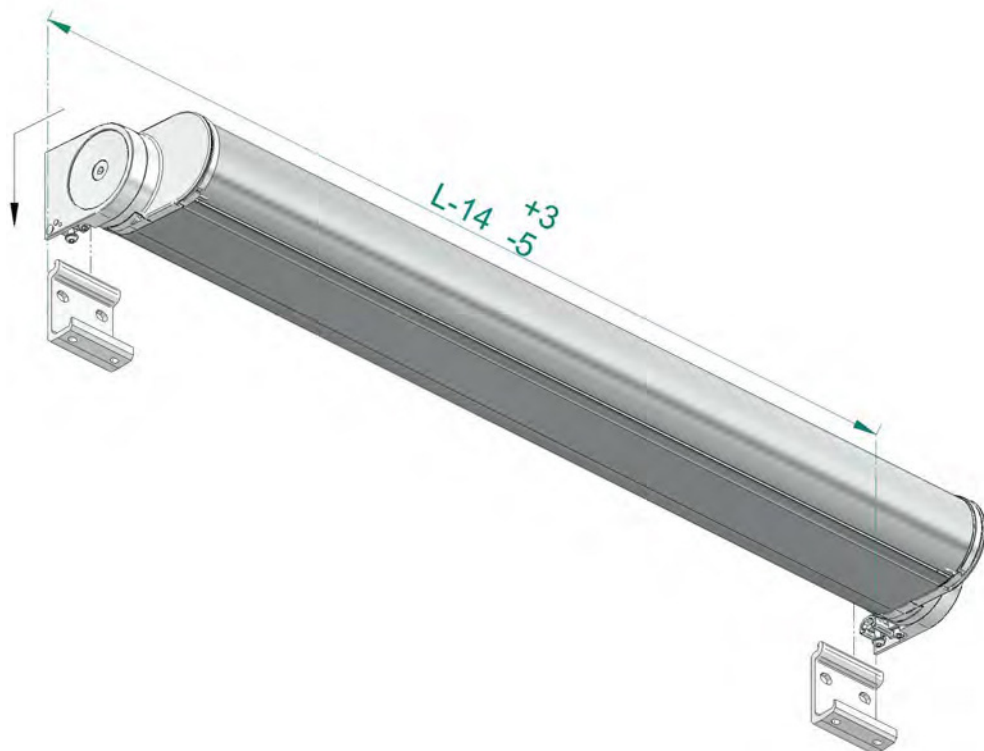
NOTE:

For roof-mounted awnings, the support must be fitted vertically and the square nut inserted in the slot at the top.

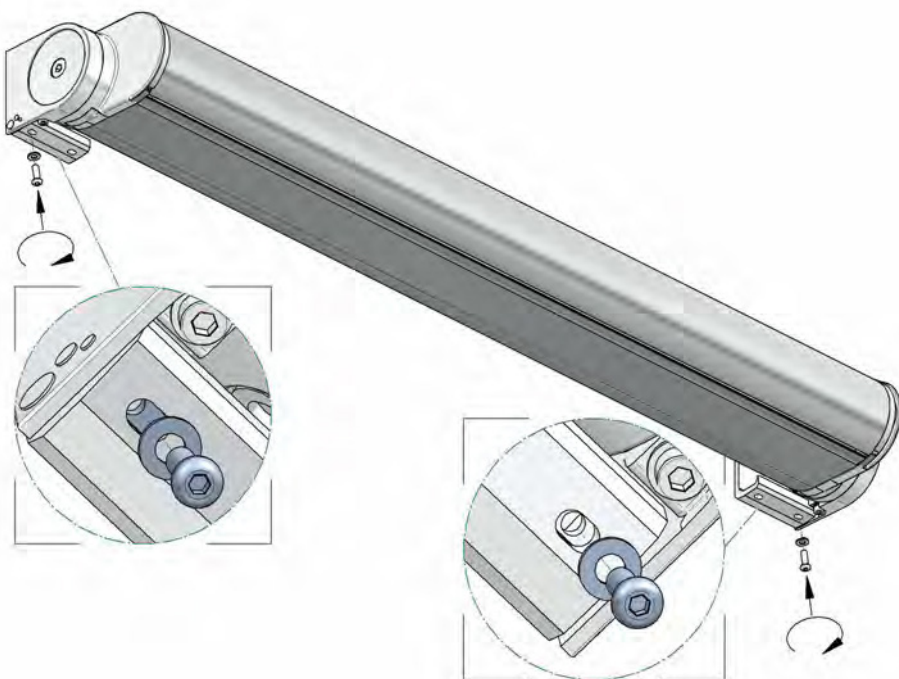


AWNING INSTALLATION

Install the awning on the brackets fixed to the wall.



Secure the awning with the screws.



OPEN THE AWNING



ADJUST AWNING PITCH

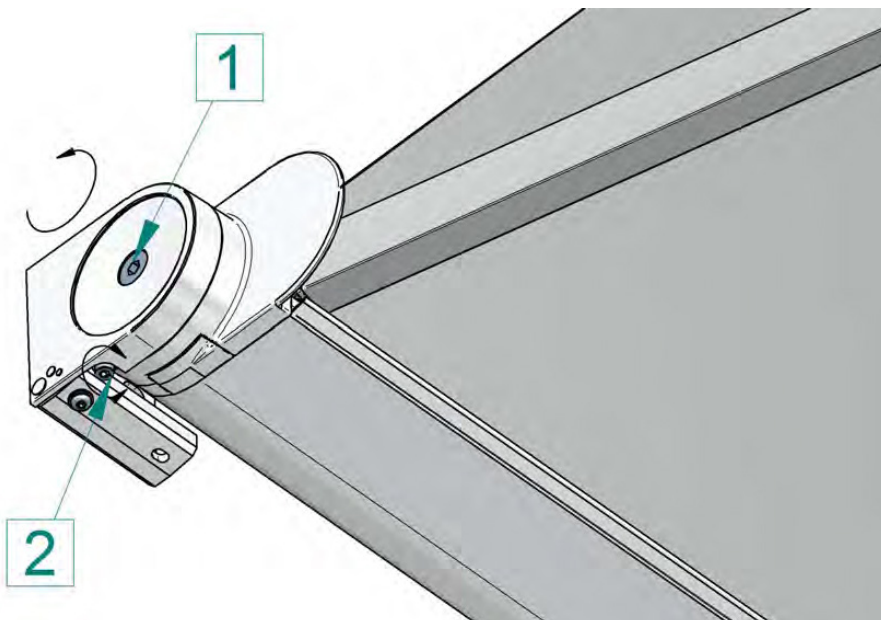
Slacken the side screw [1], (10mm Allen Key).

To lower the arms, loosen the socket-head screw . [2] (6mm Allen Key).

To lift the arms, tighten the socket-head screw. **Always support the weight of the arms when adjusting the awning.** After adjusting the pitch, check the terminal bar is perfectly horizontal.

NOTE:

- After adjusting the pitch, firmly tighten the side screw. [1]



ADJUSTING THE AWNING

With the awning almost closed, check that the arms are parallel to the cassette.
If they are not parallel, tighten or loosen the screw in the arm support (3mm Allen Key).
Always support the weight of the arms when adjusting the awning.

