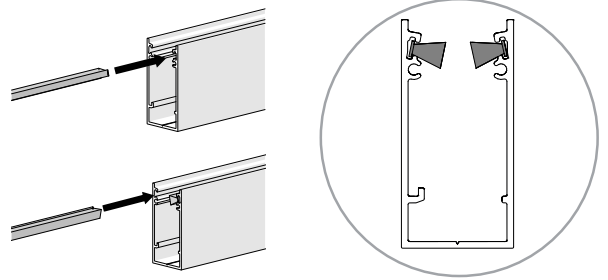


# U CHANNEL ASSEMBLY & INSTALLATION MANUAL

## ASSEMBLY - SIDE

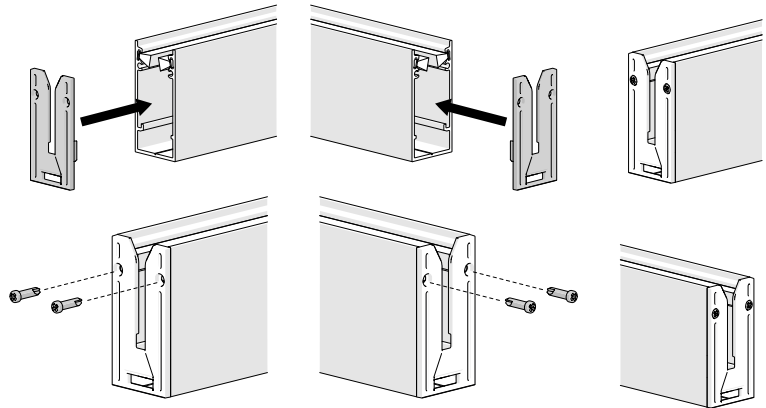
**STEP 1:** Insert both Fabric brushes into U Channel

Note: Fabric brushes allow the shade to run smoothly through the side channel



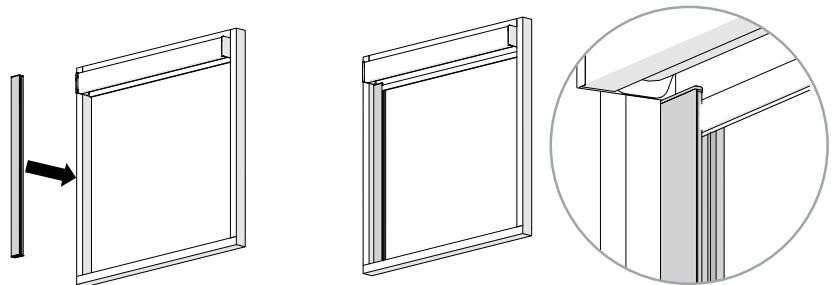
**STEP 2:** Attach Funnels onto U Channel and secure using provided screws.

Note: Funnels can be added to both sides of the side channel (top and bottom) for a cleaner look and to help guide the fabric.

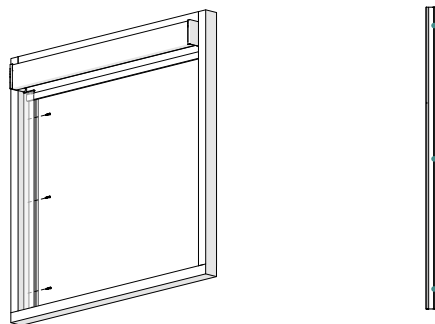


## INSTALLATION - SIDE

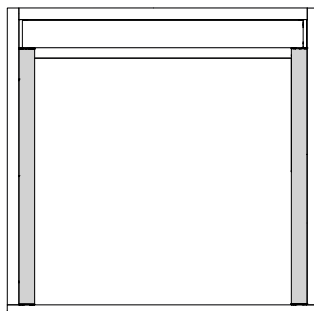
**STEP 1:** Place the U Channel against the window and align based on where the fabric will fall into the channel.



**STEP 2:** Secure U Channel onto wall with a screw on top, center and bottom.

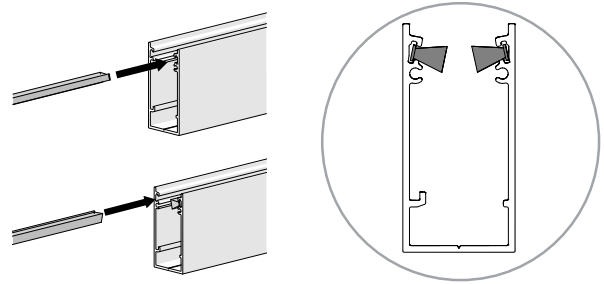


Note: Repeat steps 3 and 4 for the second U Channel



## ASSEMBLY - SILL

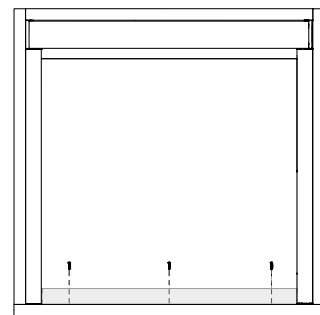
**STEP 1:** Insert both Fabric brushes into U Channel for window sill.



## INSTALLATION - SILL

**STEP 1:** Attach U Channel to window sill, using 3 screws for the left, middle, and right side.

Note: U Channel should butt up against both side U Channels.



Complete installation.

