

EASY-LINK™ SYSTEM

The Rollease Acmeda Easy-Link™ system was designed to allow for multiple blinds to be controlled using a single motor or chain control operation. Achieving minimal gaps between each blind, the Easy-Link™ system provides the perfect addition to the Easy-Lock range when linking blinds.

AESTHETIC FEATURES

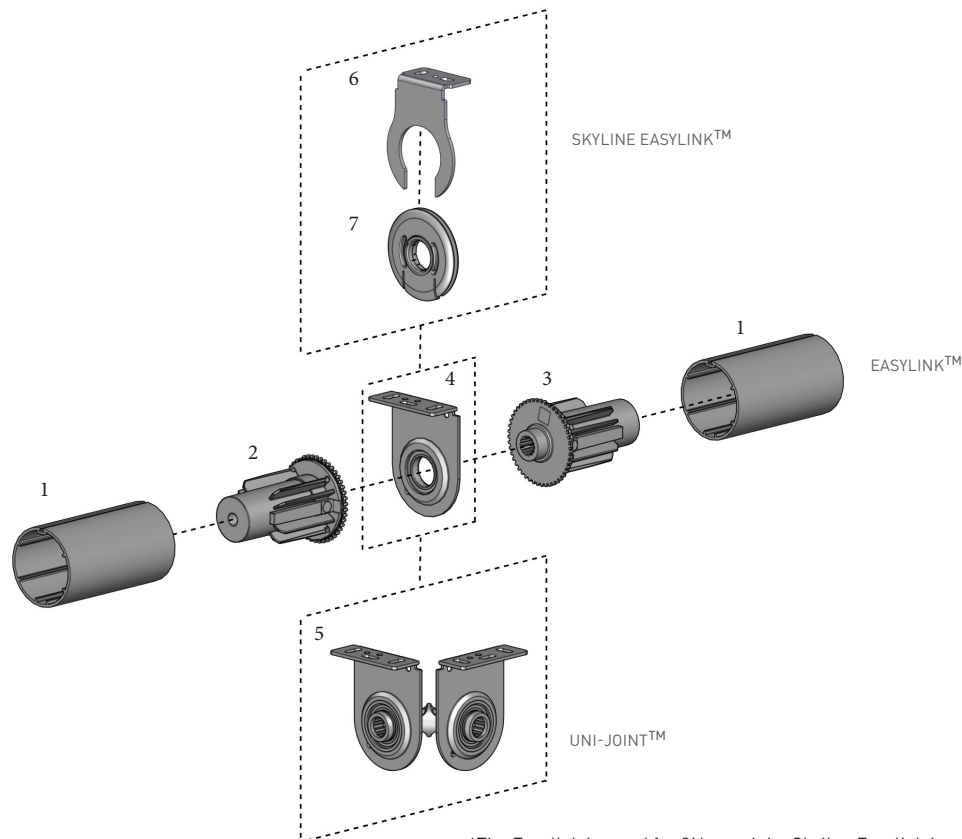
- Color matched components

ASSEMBLY / INSTALLATION BENEFITS

- Compatible with Easy-Lock system
- Individual blind level adjustment post installation without any disassembly
- Unique retractable male & female adapters comprising of glass filled nylon 14 step symmetrical adjustment

FUNCTIONAL BENEFITS

- Optional standard End/Idler Plug adapter allows banded blinds to be controlled independently
- Bearing ensures a quiet & smooth operation
- Reduced number of controls required



*The Easylink is rated for 3Nm and the Skyline Easylink is rated for 2Nm

EASY-LINK™ / UNI-JOINT™

SYSTEM INDEX

1	Aluminum Tube - S40 / S45
2	Easy-Link™ Int Male Drive RB41-1002-xxx040 - S40 RB41-1002-xxx045 - S45
3	Easy-Link™ Int Female Drive RB41-1001-xxx040 - S40 RB41-1001-xxx045 - S45
4	Easy-Link™ Int Bearing Bracket RB41-0311-xxx0## - AX [40 or 55mm] RB41-0353-xxx0## - LX [40 or 55mm]
5	Easy-Link™ Uni-Joint Bearing Bracket RB41-4553-xxx0## - LX 45° [40 or 55mm] RB41-9053-xxx0## - LX 90° [40 or 55mm] RB41-4553-xxx0## - LX 45° [40 or 55mm] RB41-4553-xxx0## - LX 45° [40 or 55mm]

COLOR RANGE



SYSTEM OPTIONS

COMBO SQUARE BRACKET



CONTROL OPTIONS

CHAIN CONTROL SYSTEM S40/S45



AUTOMATE



CRANK GEAR SYSTEM S45



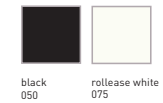
SKYLINE EASY-LINK™

SYSTEM INDEX

1	Aluminum Tube - 38/50mm (1.5"/2")
2	Skyline Easy-Link™ Int Male Drive RB41-1002-xxx038 (RA2xx needed for 2" tube)
3	Skyline Easy-Link™ Int Female Drive RB41-1001-xxx038 (RA2xx needed for 2" tube)
6	Easy-Link™ Skyline Bracket RB41-0321-xxx138 - (for SLNB660) RB41-0321-xxx050 - (for SLNB680)
7	Skyline Easy-Link™ Bracket Disk + Bearing RB41-0502-xxx000

xxx = colour ## = size

COLOR RANGE

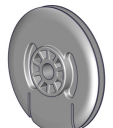


SYSTEM OPTIONS

DOUBLE V-SLIM BRACKET



PIN TO PIN DISK



CONTROL OPTIONS

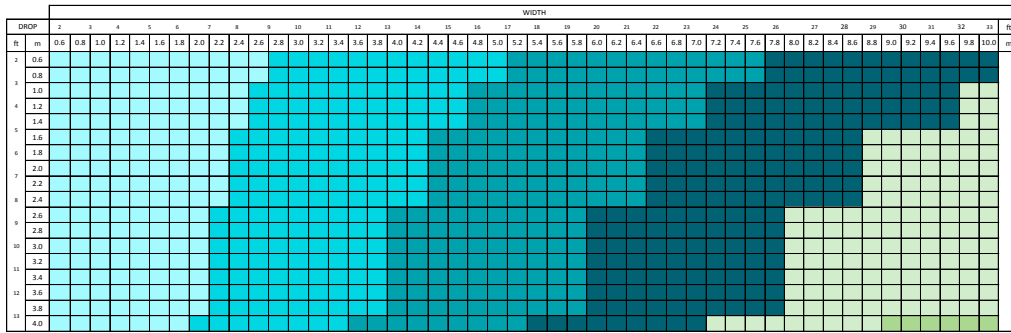
CHAIN CONTROL SYSTEM



AUTOMATE



SYSTEM CAPACITY CHARTS - EASY-LINK™

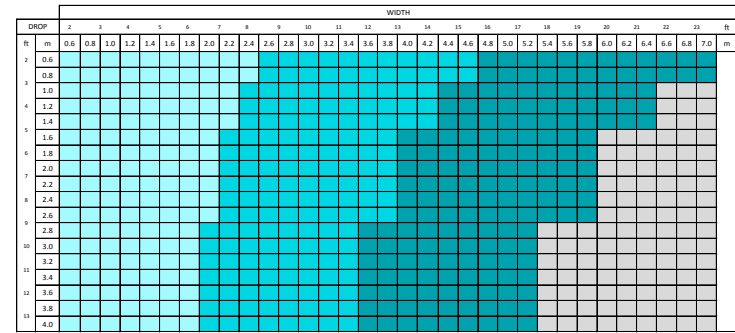


MINIMUM NO. OF LINKS
0
1
2
3
4
5

PARAMETERS
 TUBE: S45 LIGHT
 FABRIC DENSITY: 420 gsm (13.39oz/yd²)
 FABRIC THICKNESS: 0.6mm (0.024")
 WEIGHT BAR: D30 Bottom Rail

*This chart indicates the maximum blind width/drop where the Easy-Link system is to be installed. The chart does not take into consideration the control system capacity; please read in conjunction with the nominated control system capacity chart.

SYSTEM CAPACITY CHARTS - SKYLINE EASY-LINK™

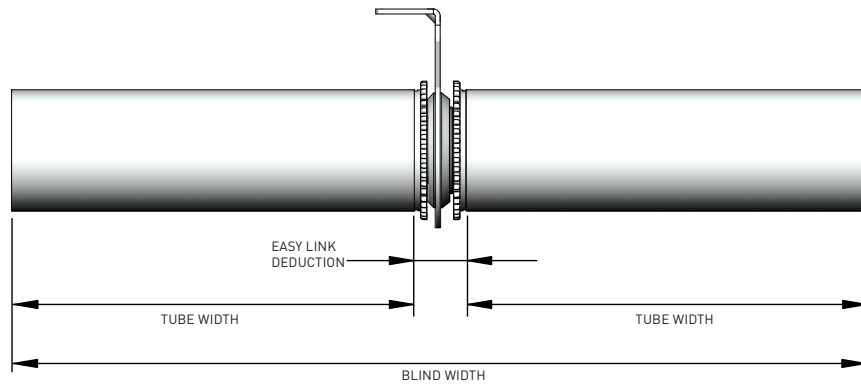


MINIMUM NO. OF LINKS
0
1
2
OUTSIDE SPECIFICATIONS

PARAMETERS
 TUBE: RTEA4 38mm (1.5")
 FABRIC DENSITY: 420 gsm (13.39oz/yd²)
 FABRIC THICKNESS: 0.6mm (0.024")
 WEIGHT BAR: D30 Bottom Rail

*This chart indicates the maximum blind width/drop where the Easy-Link system is to be installed. The chart does not take into consideration the control system capacity; please read in conjunction with the nominated control system capacity chart.

DEDUCTIONS



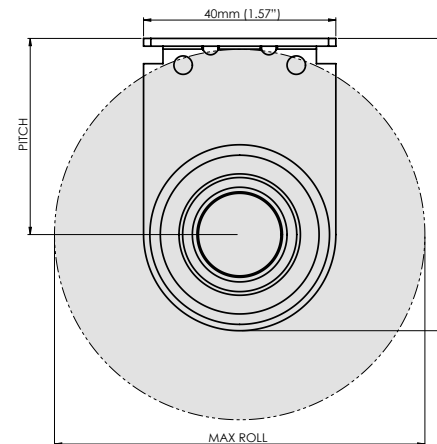
	EASY-LINK	SKYLINE EASY-LINK	PIN TO PIN
EASY-LINK DEDUCTION	17mm (0.67")	19mm (0.75")	14mm (0.55")*

* The shades need to be removed by unlocking the bracket bearing disk. If the easy unhooking method to release the shades is needed, add 6mm deduction per wanted side.

- UNI-JOINT, REFER TO MANUAL

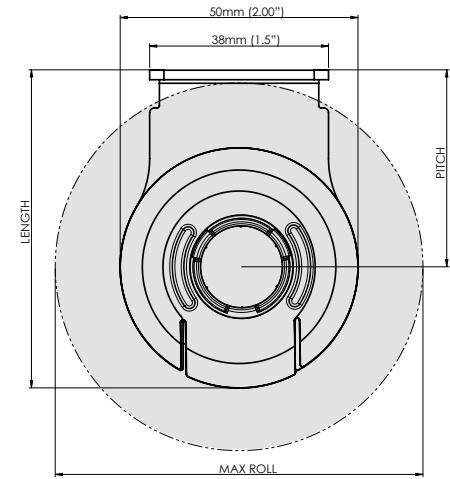
MAX ROLL/DIMENSIONS

S40/45 EASY-LINK



BRACKET	RB41-0311/0353-xxx040	RB41-0311/0353-xxx055
Pitch	40mm (1.57")	55mm (2.17")
Length	60mm (2.36")	75mm (2.95")
Max. Roll	77mm (3.00")	105mm (4.10")

SKYLINE EASY-LINK



BRACKET	RB41-0321-xxx038	RB41-0311-xxx050
Pitch	41mm (1.60")	55mm (2.17")
Length	67mm (2.64")	80mm (3.15")
Max. Roll	76mm (3.00")	102mm (4.00")

- UNI-JOINT, REFER TO MANUAL