

WIRE GUIDE EXTREME | S100

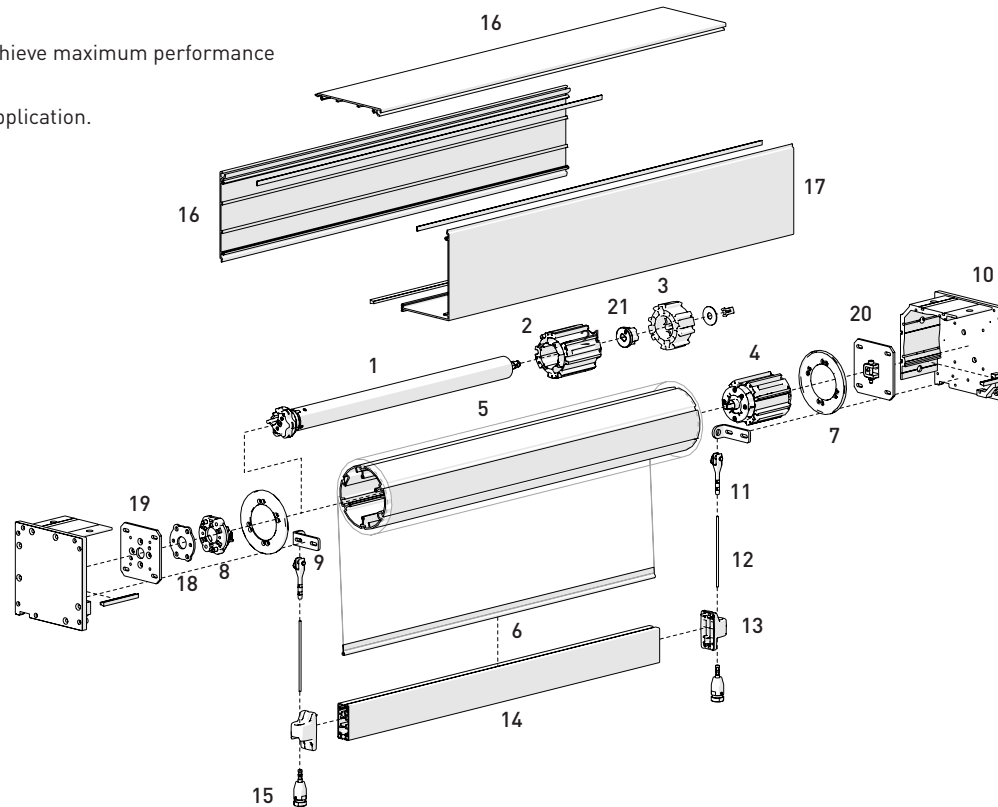
The WIRE GUIDE EXTREME system with the AUTOMATE motorised solution is capable of producing a wide screen retention solution capable of up to 7m [23'] in width. The perfect solution for both internal and external applications, domestic or commercial, the extreme system creates a new opportunity to achieve greater, grander beautiful blinds.

FUNCTIONAL BENEFITS

- Upgraded heavy duty hardware to provide a safe and secure operation of heavy shades.
- Stylish square aluminium extruded cassette protects fabric and hides componentry.
- Achieves wider spans without the need for divider posts.

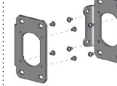
FEATURES

- Choice of three rigid aluminium tube sizes achieve maximum performance for any system size.
- Range of mounting options suitable for any application.
- Quick & easy wire guide tension adjustment.
- Complete suite of Stainless Steel hardware.
- Heavy duty adjustable bearing idler.



SYSTEM OPTIONS

Side Fix Brackets



Wire Guide Wall Mount Bracket



Open Bracket



CONTROL OPTIONS



SENSOR OPTIONS

Wind & Light Sensor



COLOUR RANGE



SYSTEM INDEX

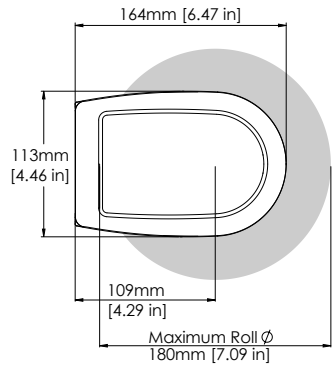
1	AUTOMATE AX30 & AX50 Motors Refer regional catalogue for part numbers.
2	Extreme Universal Crown Wheel RB80-0701-073100
3	Extreme Drive Wheel RB80-0301-073100
4	Extreme Wire Guide Bearing Idler RB80-0201-073100
5	S100 Aluminium Tube RB93-0110-000600 - S100 110mm STD RB93-0130-000700 - S100 130mm HD RB93-0160-000700 - S100 160mm XHD
6	7mm Fabric Spline with 15mm Tail SB91-0409-050015
7	Extreme Tube End Plate [STD, HD & XHD] RB80-0601-0731#0
8	Zamack Adaptor RB56-0762-014050
9	Wire Guide Adaptor Plate & Screws RB80-0481-xxx000
10	BOX 190 Extreme Cassette End Plate Set RE01-1105-xxx000
11	Fork Swaged Terminal RE24-1314-009400
12	Stainless Steel Wire w/ Clear PVC coating - 4mm RB91-3602-006041
13	F72 Wire Guide End Cap Set & Screws RE15-0522-xxx000
14	F72 Weight Bar RE15-0112-xxxLLL
15	Tension Bracket & Flat Head Stud Terminal RE24-2601-009040
16	Extreme Cassette Top & Back Extrusion RE01-0106-xxxLLL
17	Extreme Cassette Front Cover Extrusion RE01-0107-xxxLLL
18	Zamack Adaptor Spacer RB80-0411-025050
19	Extreme Square Motor Bracket Plate RB80-1501-xxx110
20	Extreme Square Idle Bracket Plate RB80-1502-xxx110
21	AUTOMATE 50Nm Drive Wheel Adaptor Kit MT03-0198-025008
*	Fabric Brush - T-Slot Fit - 10mm High SB91-0012-050300
*	Ballast - 25 x 8mm Galv. Flat Bar x 3m (1.6kg/m) SB91-1008-033300
*	Foam Tape SB91-0516-050009

xxx= colour ## = size

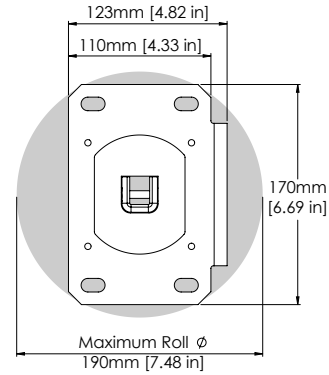
WIRE GUIDE EXTREME | S100

MAX ROLL

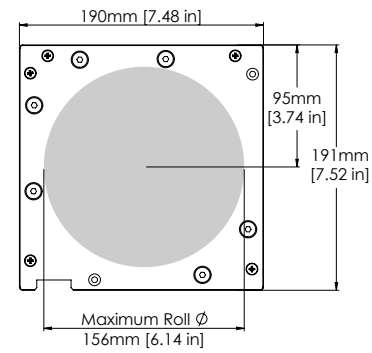
OPEN (TOP / FACE FIX)



SIDE

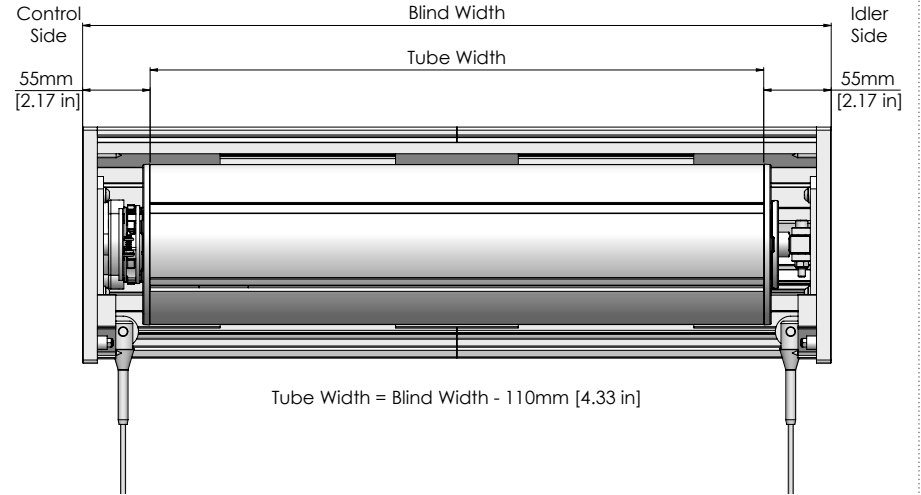


CASSETTE



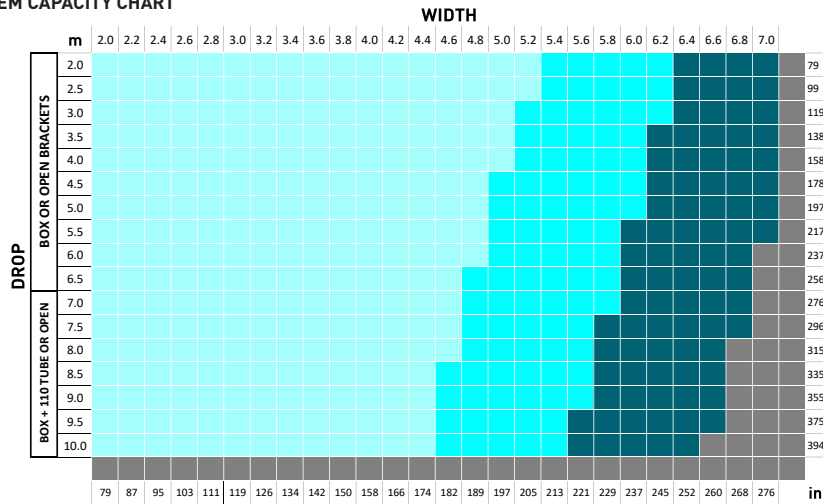
DEDUCTIONS

BOX 190 Example Shown



Configuration	Total
Box 190	110mm [4.33 in]
Extreme Open (Top/Face)	115mm [4.85 in]
Extreme Side Fix	96mm [3.78 in]

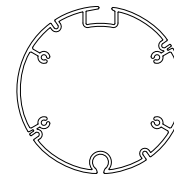
SYSTEM CAPACITY CHART



PARAMETERS

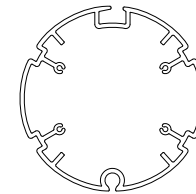
Fabric: 530gsm (15.6oz/yd²), 0.8mm Thick
 Weight Bar: F72 HD External Weight Bar

LEGEND	DESCRIPTION
	Outside Product Specifications
Light Blue	S100 110 STD
Medium Blue	S100 130 HD
Dark Blue	S100 160 XHD



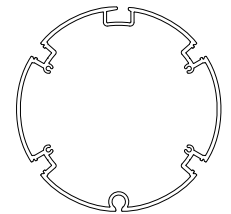
S100 | 110 STANDARD

CODE: RB93-0110-000600
 O.D.: 110mm (4.3")
 Length: 6m (19.7')



S100 | 130 HEAVY DUTY

CODE: RB93-0130-000700
 O.D.: 130mm (5.2")
 Length: 7m (23')



S100 | 160 EXTRA HEAVY DUTY

CODE: RB93-0160-000700
 O.D.: 160mm (6.3")
 Length: 7m (23')