

## SYSTEM OVERVIEW: WIRE GUIDE EXTREME | S100

With the ability to achieve up to 7m (22'11.59") widths, the Extreme System consists of robust hardware and a premium aluminium cassette, providing a solution for significantly heavier and impressive shading systems. The perfect solution for internal applications, domestic or commercial, the extreme system creates a new opportunity to achieve greater, grander beautiful blinds.

## AESTHETIC FEATURES

- Powder coated robust die cast brackets.
- Stylish cassette hides componentry while offering a sophisticated overall look.
- Cassette features colour matched end plates.

## ASSEMBLY / INSTALLATION BENEFITS

- Zamack adaptor (for star head motor only) with fixing screws to ensure a secure motor attachment for large blinds.
- Round heavy duty weight bar with floating end cap for self-adjusting alignment .
- Easy Wire guide tensioning at base of blind for adjustment and maintenance.
- Optional tension spring provides virtually maintenance free wire guide tension, automatically adjusting to cable stretch and contraction.
- Adjustable bearing idler.
- Choice of three rigid design aluminium tube sizes; 110mm, 130mm & 160mm with simple spline and component attachments.

## FUNCTIONAL BENEFITS

- Motorised or gear control options.
- Top, Face and Side fix applications.
- Heavy duty tubes & weight bar to achieve wider spans.
- Cassette provides added protection for fabric roll.
- Secure Stainless Steel Wire Guide System.

## SYSTEM OPTIONS

## SIDE FIX BRACKETS



## WALL MOUNT BRACKET



## GEAR CONTROL



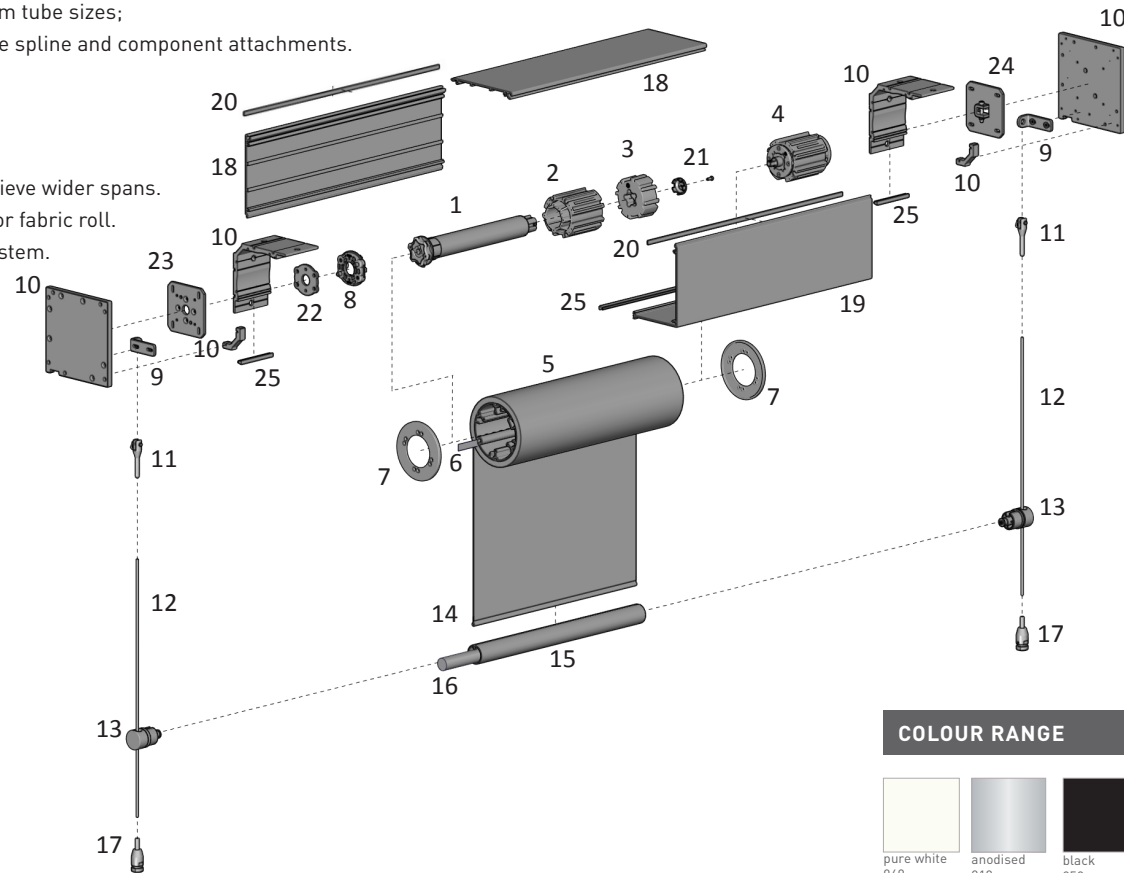
## OPEN



## FABRIC BRUSH



## JOINER



## COLOUR RANGE



## SYSTEM INDEX

1	M50 Motor SOMFY ZAMACK *
2	Extreme Universal Crown Wheel RB80-0701-073100
3	Extreme Drive Wheel RB80-0301-073100
4	Extreme Bearing Idler RB80-0201-073100
5	S100 Aluminium Tube [ STD, HD & XHD] RB93-01#0-000#00
6	15mm Flat Spline [ OR 6mm round spline*] RB92-1501-001100
7	Extreme Tube End Plate [ STD, HD & XHD] RB80-0601-0731#0
8	SOMFY Zamack Adaptor RB56-0762-014050
9	Wire Guide Adaptor Plate & Screws RB80-0481-xxx000
10	Extreme Cassette End Plate & Screws for both sides ** RE01-1105-xxx000
11	Fork Swage Terminal RE24-1314-009400
12	Stainless Steel Wire - 4mm RB91-3602-006040
13	Extreme FD42 Wire Guide End Cap RB91-1340-xxx003
14	3.5mm Round Spline *
15	Extreme FD42 Weight Bar SB06-1304-xxx600
16	Weight Bar Ballast * [max 28 Diameter]
17	Tension Bracket & Flat Head Stud Terminal RE24-2601-009040
18	Extreme Cassette Top & Back Extrusion ** RE01-0106-xxxLLL
19	Extreme Cassette Front Cover Extrusion ** RE01-0107-xxxLLL
20	Foam Tape SB91-0516-xxx009
21	Somfy Clip [Non Acmeda Item]
22	Somfy Zamack Adaptor Spacer RB80-0411-xxx050
23	Extreme Sq. Cntrl Bracket Plate - SIDE FIX RB80-1501-xxx110
24	Extreme Sq. Idle Bracket Plate - SIDE FIX RB80-1502-xxx110
25	Fabric Brush - T-Slot Fit - 10mm High SB91-0012-050300

xxx= colour ## = size

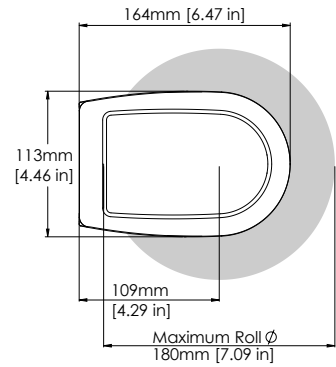
\* Non Acmeda Item

\*\* AU ONLY

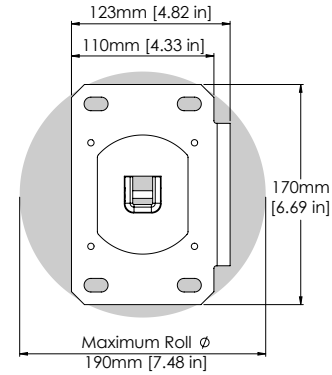
SYSTEM SPECIFICATIONS: WIRE GUIDE EXTREME | S100

MAX ROLL

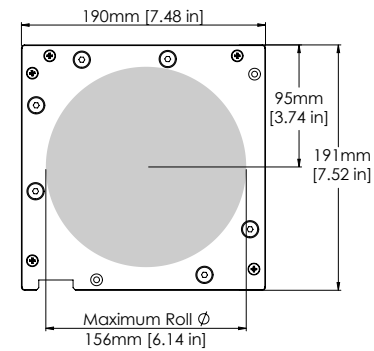
OPEN



SIDE

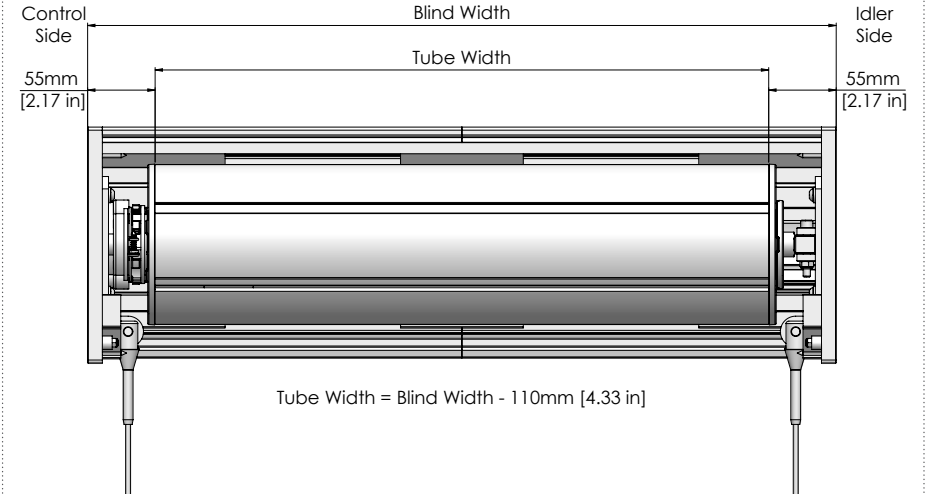


CASSETTE



DEDUCTIONS\*

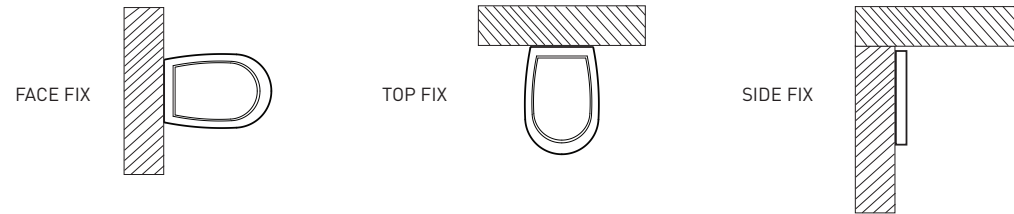
Top/Face Fix Motorised Example Shown



Configuration	Control End		Idler End		Total	
	Motor	Gear	Motor	Gear	Motor	Gear
Box 190	55mm [2.17 in]	67mm [2.64 in]	55mm [2.17 in]	55mm [2.17 in]	110mm [4.33 in]	122mm [4.80 in]
Extreme Open	55mm [2.17 in]	73mm [2.87 in]	60mm [2.36 in]	64mm [2.52 in]	115mm [4.53 in]	137mm [5.39 in]
Extreme Side	48mm [1.89 in]	60mm [2.36 in]	48mm [1.89 in]	48mm [1.89 in]	96mm [3.78 in]	108mm [4.25 in]

Refer to Product Specifications Manual for further details.

OPEN FIXING OPTIONS



RECOMMENDED MAXIMUM WIDTH - MOTORISED SYSTEM \*

TUBE	MAX WIDTH	MAX DROP	MAX WIDTH BOX 190	MAX DROP BOX 190
S100   110mm	5.6m [18.4']	10m [32.8']	5.6m [18.4']	10m [32.8']
S100   130mm	6.6m [21.7']	10m [32.8']	6.6m [21.7']	6.5m [21.3']
S100   160mm	7.0m [23']	10m [32.8']	NA	NA

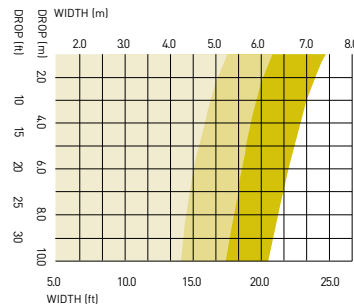
RECOMMENDED MAXIMUM WIDTH - GEAR SYSTEM \*

TUBE	MAX WIDTH	MAX DROP	MAX WIDTH BOX 190	MAX DROP BOX 190
S100   110mm	5.6m [18.4']	4m [13.1']	5.6m [18.4']	4m [13.1']
S100   130mm	6.6m [21.7']	4m [13.1']	6.6m [21.7']	4m [13.1']

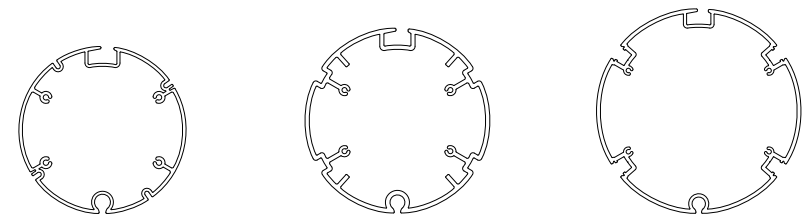
\* Refer to Product Specifications Manual for further details.

ALUMINIUM TUBES

TUBE CAPACITY CHART



- S100 STANDARD
- S100 HEAVY DUTY
- S100 EXTRA HEAVY DUTY



S100 | 110 STANDARD

CODE: RB93-0110-000600  
O.D: 110mm [4.331"]  
Length: 6metres [19.7']

S100 | 130 HEAVY DUTY

CODE: RB93-0130-000700  
O.D: 130mm [5.118"]  
Length: 7metres [23']

S100 | 160 EXTRA HEAVY DUTY

CODE: RB93-0160-000700  
O.D: 160mm [6.3"]  
Length: 6.8metres [22.3']