

# AUTOMATE™ | CL 0.8 Motor

Part #: MT01-3001-069001

Description: Cord Lift 0.8 Nm Motor

## FEATURES

- Double outputs for mounting in center of headrail
- Electronic Limit
- Leveling Control
- Simple limit setting and adjustment
- Favorite position
- Single Speed setting only
- 2-way RF communication
- New ARC™ protocol for simple programming
- Smart home control
- IOT Integration
- Battery & wired DC power Options

## TECHNOLOGIES



ELECTRONIC  
LIMIT



LEVELING  
CONTROL



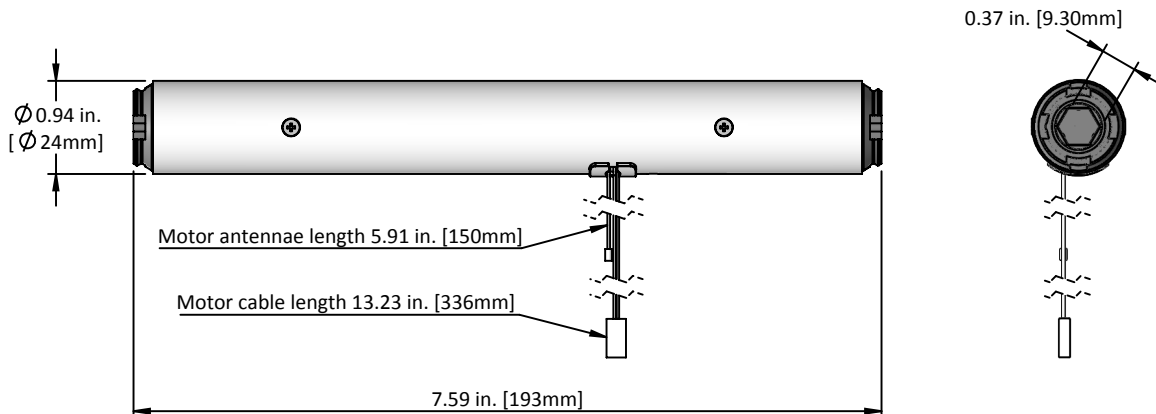
FAVORITE  
POSITION



433 MHz  
BI-DIRECTIONAL



## DIMENSIONS



## SPECIFICATIONS

<b>Voltage</b>	12 V DC	<b>IP Rating</b>	IP44
<b>Torque</b>	0.8Nm	<b>Limit Switch Type</b>	Electronic
<b>Max Run Time</b>	6min	<b>Amps</b>	1 A
<b>Speed</b>	45 RPM	<b>Temp Working Range</b>	32°F to 140°F (0°C to 60°C)
<b>Radio Frequency</b>	433.92 MHz	<b>Insulation Class</b>	III
<b>RF Modulation</b>	FSK	<b>Sound Level</b>	-60DB

Leading innovator of precision hardware and automated shade solutions.

USA | AUSTRALIA | EUROPE [rolleasemed.com](http://rolleasemed.com)



## APPLICATIONS



ROMAN  
SHADE

## COMPATIBLE SYSTEMS

- SS38 System

## ACCESSORIES

### POWER SOLUTIONS

Descr: Rchrgbl Btry Pak- 28mm DCBRF  
(No Batt) Mtr 2600mAh  
Part #: MTBPCKR-28

### EXTENSION CABLES

Descr: DC Motor Cable extender 6"/155mm  
Part #: MTDC-CBLXT6

Descr: DC Motor Cable extender  
48"/1220mm  
Part #: MTDC-CBLXT48

Descr: DC Motor Cable extender  
96"/2440mm  
Part #: MTDC-CBLXT96

### REMOTES & SWITCHES

Descr: Paradigm 1CH ARC Remote  
Part #: MTRF-REM-1

Descr: Paradigm 15CH ARC Remote  
Part #: MTRF-REM-15

Descr: Paradigm+ 15CH ARC Remote  
Part #: MT02-0101-072003

### AUTOMATION DEVICES

Descr: Sun Sensor  
Part #: MTRF-SUNSENS

Descr: ARC Pulse Wi-Fi to 433  
2 way RF Bridge Kit  
Part #: MTRF-PULSE-AU

### MOTOR ADAPTER KITS

Descr: Cord Lift Motor Adapter Kit | SS38  
Part # MTAD-CLHRSS38KT

