



FASCIA - 5 inch Systems

PRODUCT SPECIFICATIONS



CONTENTS

| | |
|--|-----------|
| SECTION A OVERVIEW | 3 |
| CLUTCH CONTROL SCHEMATICS | 3 |
| MOTORIZED CONTROL SCHEMATICS | 4 |
| SECTION B SPECIFICATIONS | 6 |
| ARCHITECTURAL VIEWS | 6 |
| COLOR OPTIONS .. | 6 |
| MAXIMUM ROLL DIAMETERS | 7 |
| TUBE DEDUCTIONS | 8 |
| SECTION C ASSEMBLY & INSTALLATION | 10 |
| 5" FASCIA - SKYLINE CLUTCH SINGLE | 10 |
| 5" FASCIA - SKYLINE CLUTCH DUAL | 11 |
| 5" FASCIA - AUTOMATE MOTOR SINGLE | 12 |
| 5" FASCIA - AUTOMATE MOTOR DUAL | 13 |
| 5" FASCIA - 3RD PARTY MOTORS SINGLE | 14 |
| 5" FASCIA - EASY LINK SYSTEM | 15 |
| 5" SINGLE SHADE LINK SYSTEM | 17 |
| 5" DUAL SHADE LINK SYSTEM | 17 |

DISCLAIMER

INTRODUCTION

This Product Specifications manual for 5" Fascia Systems has been produced by Rollease Acmeda to supply the necessary information for the safe and correct installation of 5" Fascia Systems.

DISCLAIMER

Rollease Acmeda has used reasonable care in preparing the information included in this document, but makes no representations or warranties as to the completeness or accuracy of the information. Information is supplied upon the condition that the persons receiving the information will make their own determination as to its suitability for their purposes prior to use. Rollease Acmeda assumes no liability whatsoever for any damages incurred by you resulting from errors in or omissions from the information included herein. Rollease Acmeda reserves the right to make changes without further notice to any products to improve reliability, function or design.

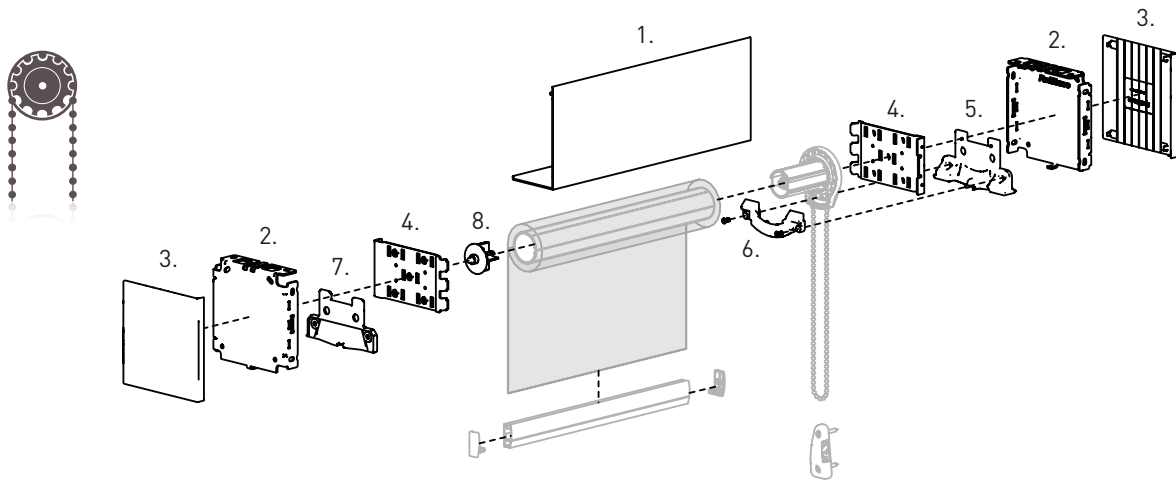
COPYRIGHT

COPYRIGHT © ROLLEASE ACMEDA

All rights are reserved. No part of this document may be reproduced or utilised in any means, by any means, electronic or mechanical including photocopying, recordings, or by any information storage or retrieval system, without the express permission from Rollease Acmeda.

CLUTCH CONTROL SCHEMATICS

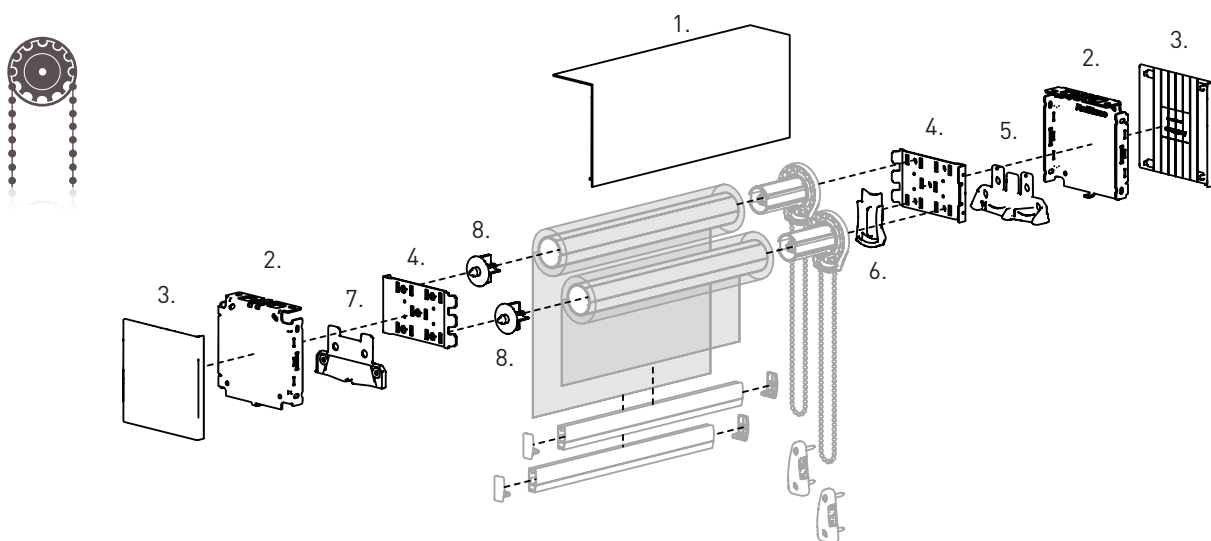
SKYLINE SINGLE SHADE



SYSTEM INDEX:

- | | |
|----------------------------|---|
| 1. 5" Fascia Panel | 6. Single Chain Guard (Not needed for SL30 or G400) |
| 2. 5" Fascia Base Bracket | 7. Pin End Guide |
| 3. 5" Fascia Bracket Cover | 8. Skyline Pin End |
| 4. Skyline Insert Pair | |
| 5. Single Diverter | |

SKYLINE DUAL SHADE

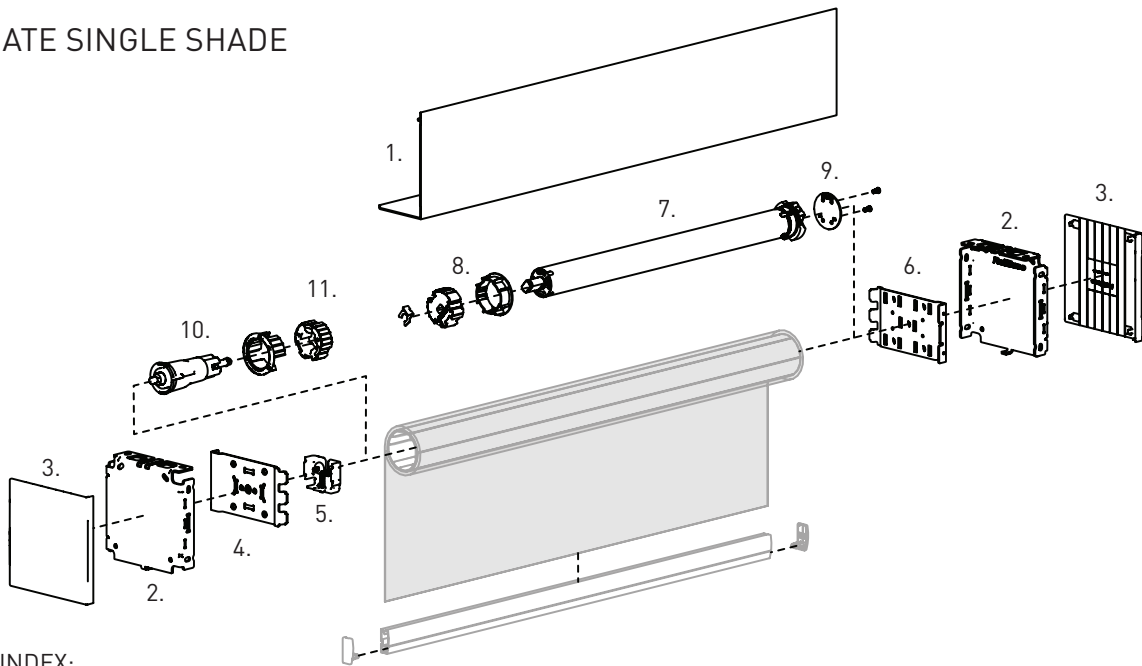


SYSTEM INDEX:

- | | |
|----------------------------|---------------------|
| 1. 5" Fascia Panel | 6. Dual Chain Guide |
| 2. 5" Fascia Base Bracket | 7. Pin End Guide |
| 3. 5" Fascia Bracket Cover | 8. Skyline Pin End |
| 4. Skyline Insert Pair | |
| 5. Dual Diverter | |

MOTORIZED CONTROL SCHEMATICS

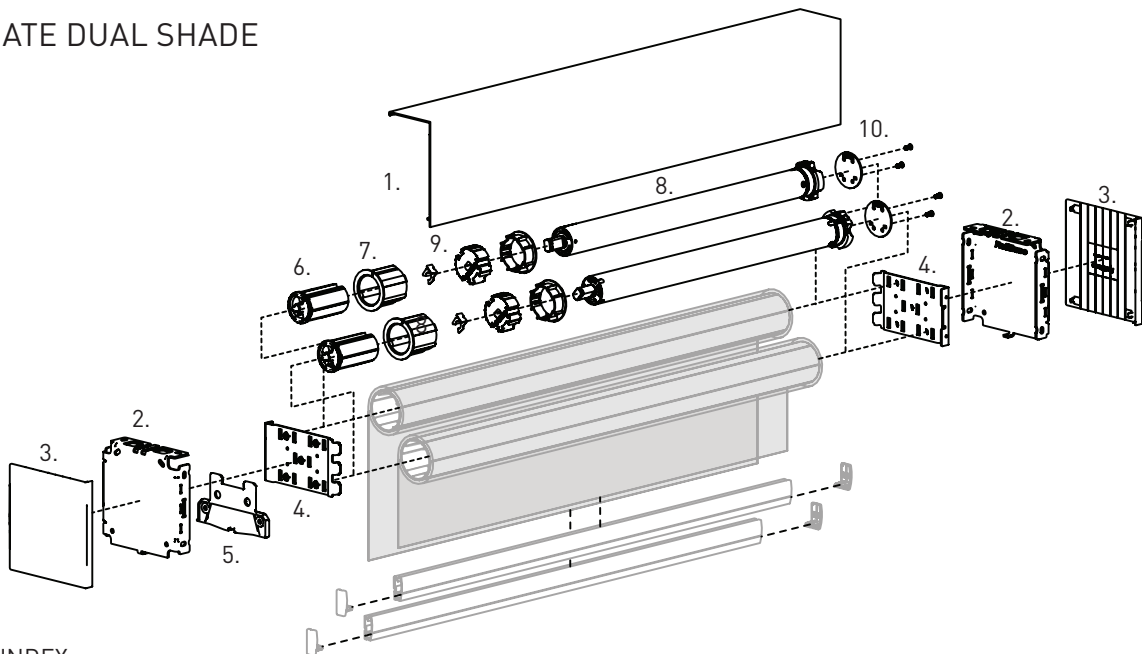
AUTOMATE SINGLE SHADE



SYSTEM INDEX:

- | | |
|--|----------------------------------|
| 1. 5" Fascia Panel | 7. AUTOMATE ARC Motor |
| 2. 5" Fascia Base Bracket | 8. AUTOMATE Crown & Drive Kit |
| 3. 5" Fascia Bracket Cover | 9. AUTOMATE Adapter |
| 4. Fascia R-Series Single & Motor Idler Insert | 10. Motor Shade Idler Silent Pin |
| 5. Silent Pin Idler Yoke Kit | 11. Silent Pin Crown & Drive Kit |
| 6. Skyline Insert Plate | |

AUTOMATE DUAL SHADE

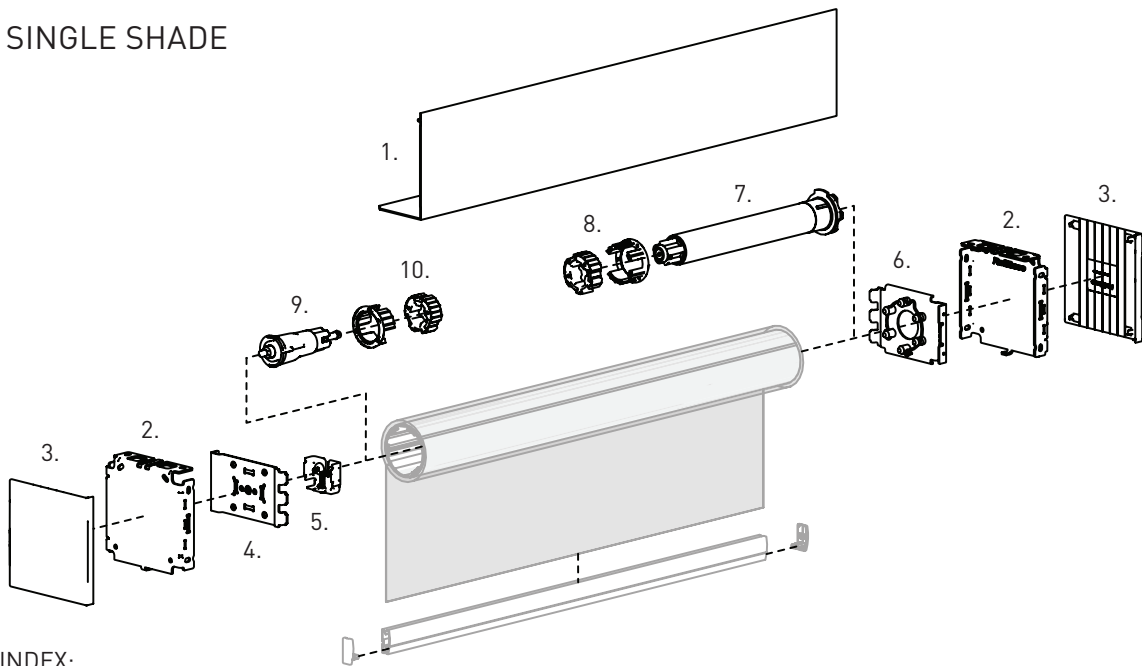


SYSTEM INDEX:

- | | |
|-------------------------------|-------------------------------|
| 1. 5" Fascia Panel | 7. Adapter |
| 2. 5" Fascia Base Bracket | 8. AUTOMATE ARC Motor |
| 3. 5" Fascia Bracket Cover | 9. AUTOMATE Crown & Drive Kit |
| 4. Skyline Insert Pair | 10. AUTOMATE Adapter |
| 5. Pin End Guide | |
| 6. Skyline Heavy Duty Pin End | |

MOTORIZED CONTROL SCHEMATICS

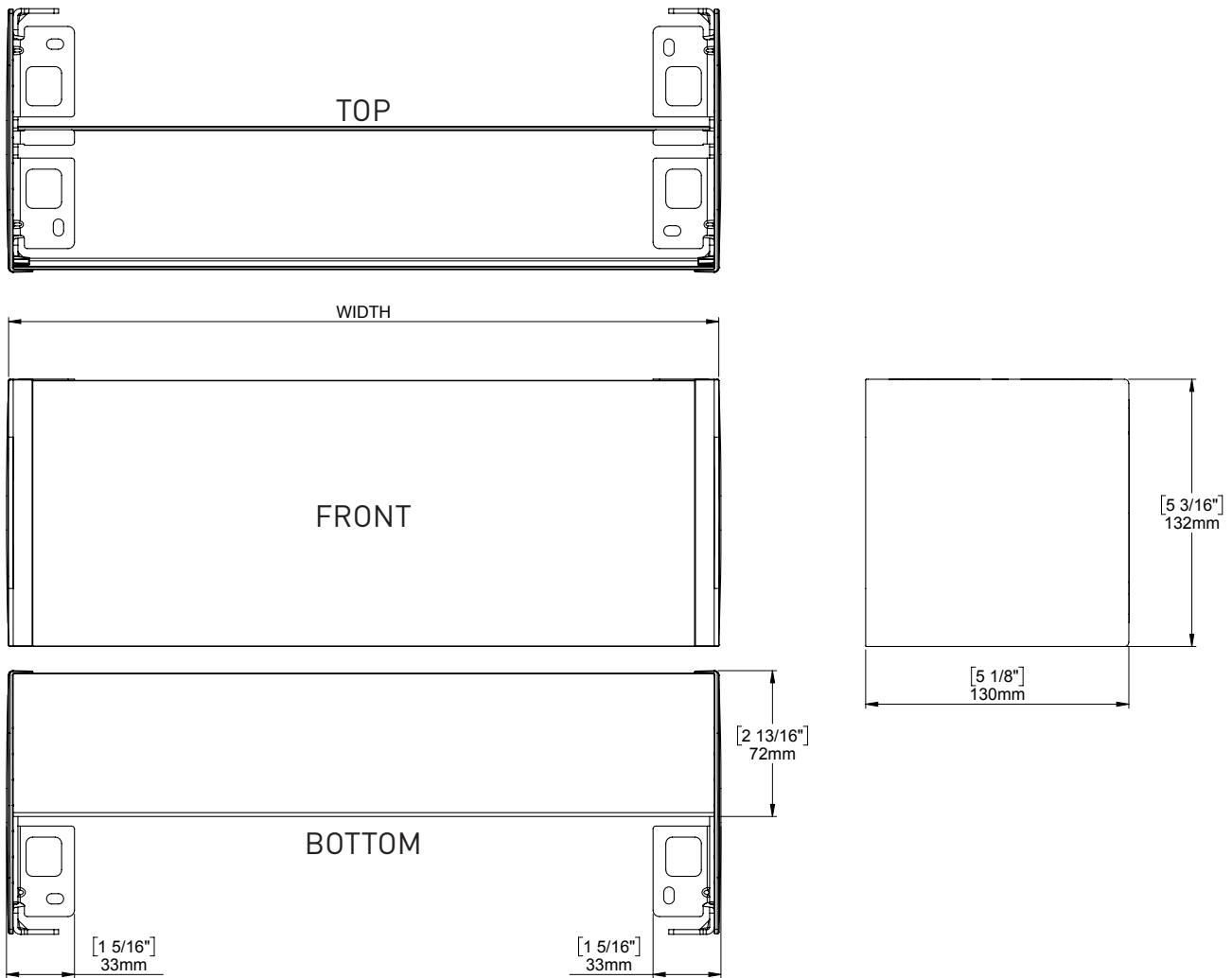
SOMFY SINGLE SHADE



SYSTEM INDEX:

- | | |
|--|----------------------------------|
| 1. 5" Fascia Panel | 6. Fascia Motor Side Insert |
| 2. 5" Fascia Base Bracket | 7. SOMFY Motor |
| 3. 5" Fascia Bracket Cover | 8. SOMFY Crown & Drive Kit |
| 4. Fascia R-Series Single & Motor Idler Insert | 9. Motor Shade Idler Silent Pin |
| 5. Silent Pin Idler Yoke | 10. Silent Pin Crown & Drive Set |

ARCHITECTURAL VIEWS



COLOR OPTIONS



WHITE



ANODISED



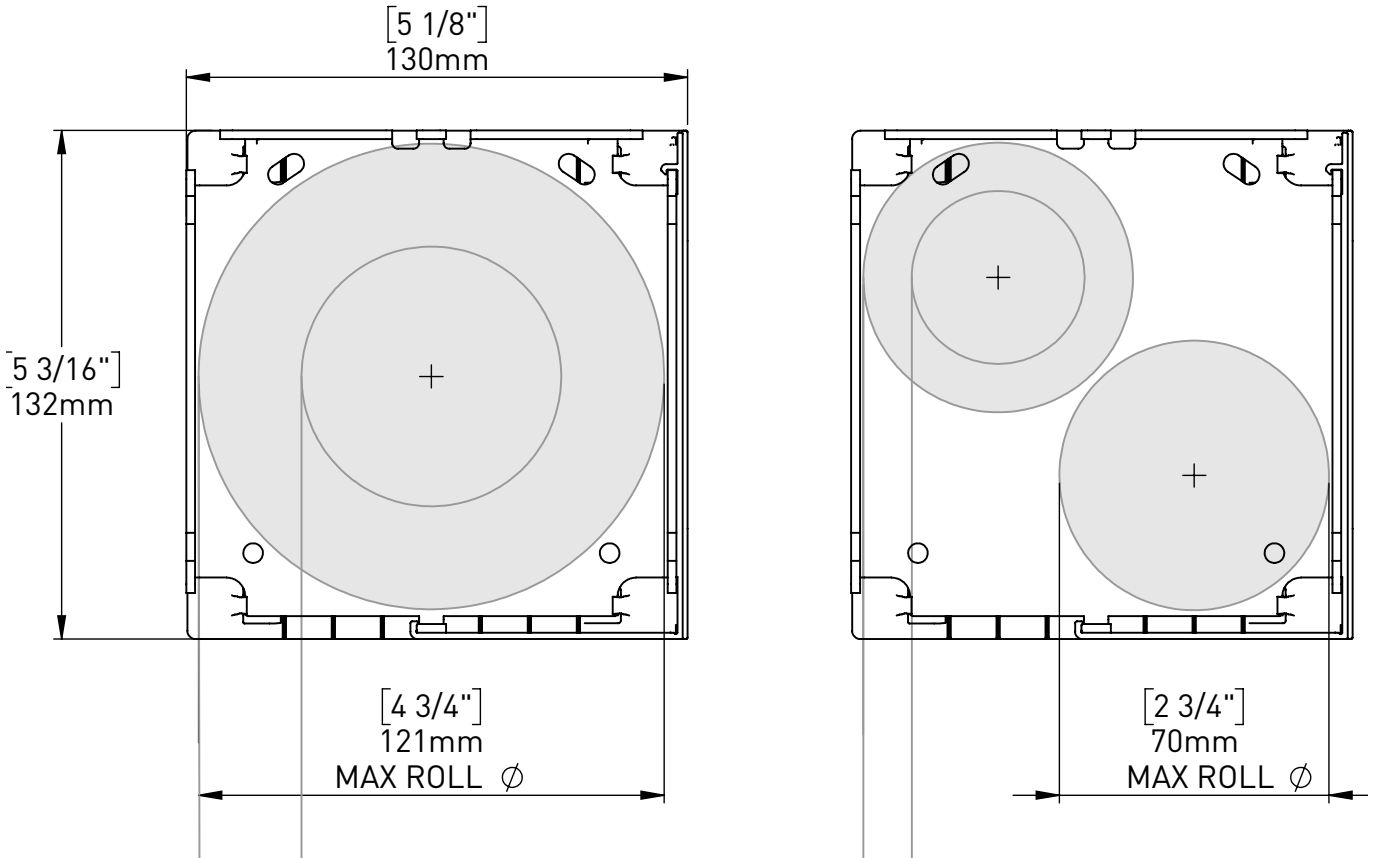
BRONZE



BLACK

MAXIMUM ROLL DIAMETERS

5" FASCIA BRACKETS



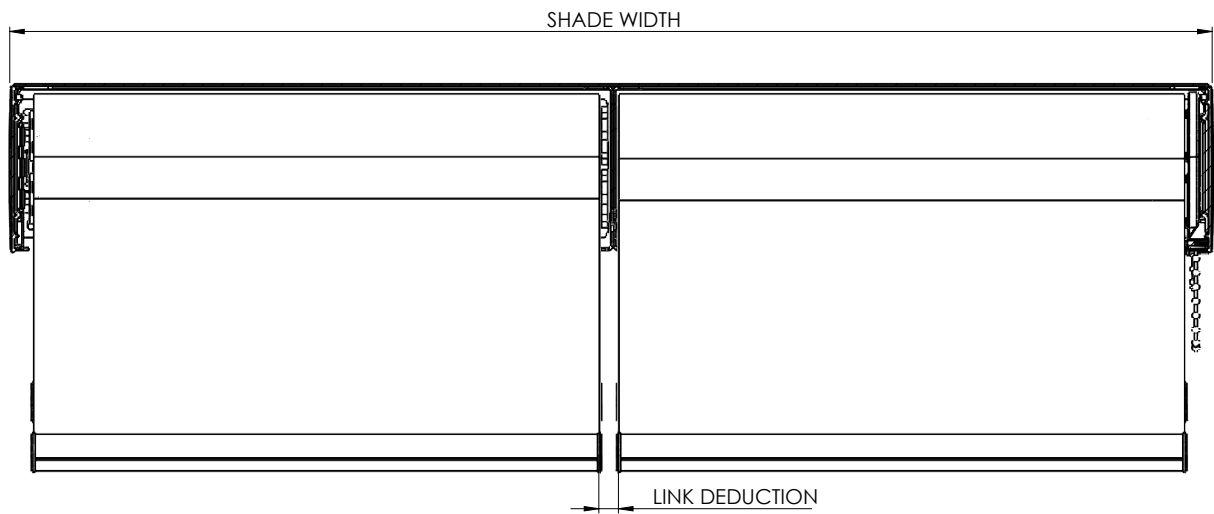
| Installation Type | Tube | Max Fabric Distance from back of bracket [X] |
|-------------------|--------|--|
| Single | 1-1/2" | 44mm [1-3/4"] |
| | 2" | 38mm [1-1/2"] |
| | 2-1/2" | 32mm [1-1/4"] |
| | 3-1/4" | 22mm [7/8"] |
| Dual | 1-1/2" | 19mm [3/4"] |
| | 1-1/8" | 24mm [15/16"] |
| | 1-1/4" | 22mm [7/8"] |
| | 2" | 13mm [1/2"] |

TUBE DEDUCTIONS

| System | Tube | Control | Insert Plates | Pin End | Adapter(s) | Tube Deduction | | Light Gap with-out Bracket Covers* | |
|---------------|--------|------------|------------------------|------------|-----------------|---------------------|------------------------|------------------------------------|-----------------|
| | | | | | | With Bracket Covers | Without Bracket Covers | Control Side | Pin End Side |
| SINGLE | 1-1/2" | SL-20 | RE0020202 | SLPEV53xx | - | 1.61" [41mm] | 1.33" [34mm] | 0.75" [19mm] | 0.59" [15mm] |
| | 2" | SL-20 | RE0020202 | SLPEHD53xx | RA2xx | 1.65" [42mm] | 1.36" [35mm] | 0.75" [19mm] | 0.63" [16mm] |
| | 1-1/2" | SL-30 | RE0020202 | SLPEV53xx | - | 1.69" [43mm] | 1.41" [36mm] | 0.79" [20mm] | 0.59" [15mm] |
| | 2" | SL-30 | RE0020202 | SLPEHD53xx | RA2xx | 1.69" [43mm] | 1.41" [36mm] | 0.75" [19mm] | 0.63" [16mm] |
| | 2-1/2" | SL-30 | RE0020202 | SLPEHD53xx | RA25 | 1.77" [45mm] | 1.47" [38mm] | 0.83" [21mm] | 0.67" [17mm] |
| | 1-1/2" | G-200 | RE0020202 | SLPEHD53xx | - | 1.77" [45mm] | 1.47" [38mm] | 0.87" [22mm] | 0.63" [16mm] |
| | 2" | G-200 | RE0020202 | SLPEHD53xx | RA2xx | 1.69" [43mm] | 1.41" [36mm] | 0.79" [20mm] | 0.63" [16mm] |
| | 1-1/2" | G-400 | RE0020202 | SLPEHD53xx | - | 1.77" [45mm] | 1.47" [38mm] | 0.87" [22mm] | 0.63" [16mm] |
| | 2" | G-400 | RE0020202 | SLPEHD53xx | RA2xx | 1.69" [43mm] | 1.41" [36mm] | 0.79" [20mm] | 0.63" [16mm] |
| | 2-1/2" | G-400 | RE0020202 | SLPEHD53xx | RA25 | 1.77" [45mm] | 1.47" [38mm] | 0.83" [21mm] | 0.67" [17mm] |
| 3-1/4" | G-400 | RE0020202 | SLPEHD53xx | RA25 | 1.77" [45mm] | 1.47" [38mm] | 0.83" [21mm] | 0.67" [17mm] | |
| DUAL | 1-1/8" | SL-15 | RE0020202 | SLPEV01xx | - | 1.55" [39mm] | 1.26" [32mm] | 0.71" [18mm] | 0.63" [16mm] |
| | 1-1/4" | SL-15 | RE0020202 | SLPEV03xx | SLA03xx | | | | |
| | 1-1/2" | SL-15 | RE0020202 | SLPEV53xx | SLA53xx | | | | |
| | 1-1/2" | SL-20 | RE0020202 | SLPEV53xx | - | 1.61" [41mm] | 1.33" [34mm] | 0.75" [19mm] | 0.63" [16mm] |
| | 1-1/2" | G-200 | RE0020202 | SLPEHD53xx | - | 1.77" [45mm] | 1.47" [38mm] | 0.87" [22mm] | 0.63" [16mm] |
| | 2" | G-200 | RE0020202 | SLPEHD53xx | RA2xx | 1.69" [43mm] | 1.41" [36mm] | 0.79" [20mm] | 0.63" [16mm] |
| SINGLE & DUAL | 1-1/2" | 25mm Motor | RE0020202 | SLPEHD53xx | - | 1.81" [46mm] | 1.53" [39mm] | 0.91" [23mm] | 0.63" [16mm] |
| | 1-1/2" | 28mm Motor | RE0020202 | SLPEHD53xx | - | 1.77" [45mm] | 1.47" [38mm] | 0.87" [22mm] | 0.63" [16mm] |
| | 2" | 28mm Motor | RE0020202 | SLPEHD53xx | RA2xx | 1.77" [45mm] | 1.47" [38mm] | 0.87" [22mm] | 0.63" [16mm] |
| | 2" | 35mm Motor | RE0020202 | SLPEHD53xx | RA2xx | 1.77" [45mm] | 1.47" [38mm] | 0.87" [22mm] | 0.63" [16mm] |
| SINGLE ONLY | 2-1/2" | 45mm Motor | RE0022702 + (MSIDL) | MSPE5BK | RTA6U50BK | 2.48" [63mm] | 2.20" [56mm] | 0.91" [23mm] | 1.30" [33mm] |
| | 3-1/4" | 45mm Motor | | MSPE5BK | RTA7U50 | | | | |

*NOTE: FOR LIGHT GAP **WITHOUT** BRACKET COVERS, ADD 0.13" [4mm] TO EACH SIDE LISTED ABOVE

TUBE DEDUCTIONS

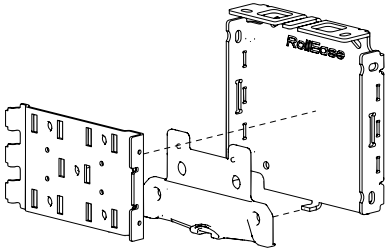


| LINK SYSTEM | DEDUCTION |
|-------------------|---------------|
| SKYLINE EASY-LINK | 19mm [3/4"] |
| INFINITE LINK | 18mm [11/16"] |

5" FASCIA - SKYLINE CLUTCH | SINGLE

Pin End Assembly

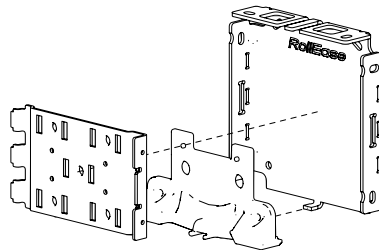
NOTE: Once the Insert Plate is assembled with the bracket, it cannot be released.



OPTIONAL:
Use a Mallet to snap the Skyline Insert Plate to the bracket

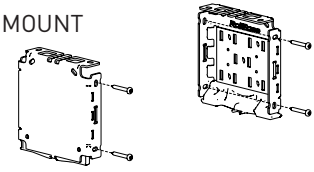
Control End Assembly

NOTE: Once the Insert Plate is assembled with the bracket, it cannot be released.

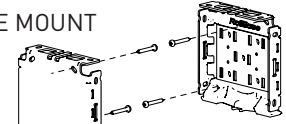


OPTIONAL:
Use a Mallet to snap the Skyline Insert Plate to the bracket

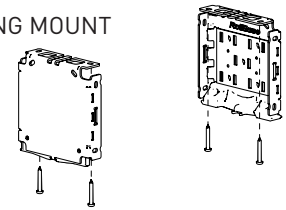
WALL MOUNT



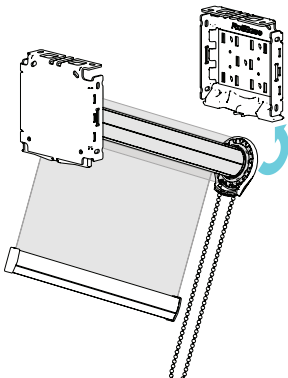
INSIDE MOUNT



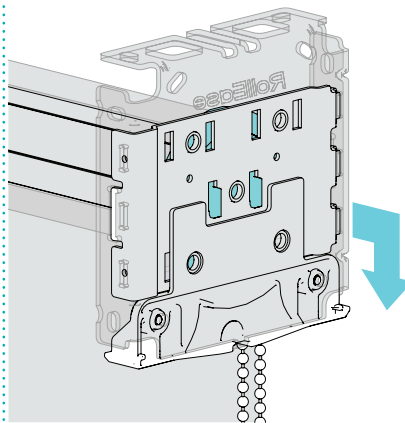
CEILING MOUNT



Attach Roller Assembly Pin first

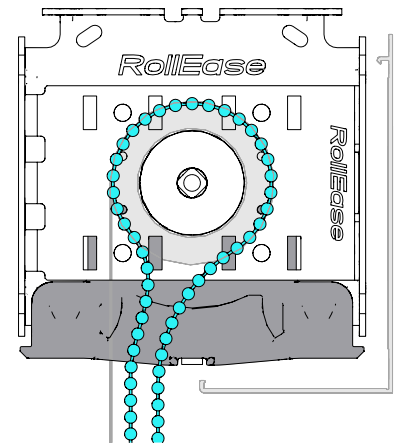


Attach Skyline Clutch to Insert Plate



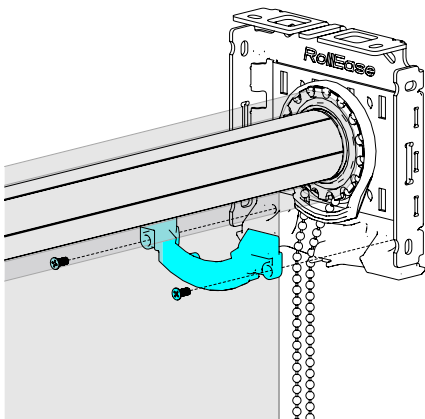
Push hooks through the Insert Plate and pull down

Align Chain with Chain Guide

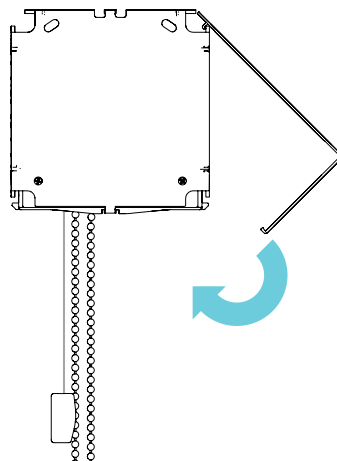


Ensure Fascia can still be attached

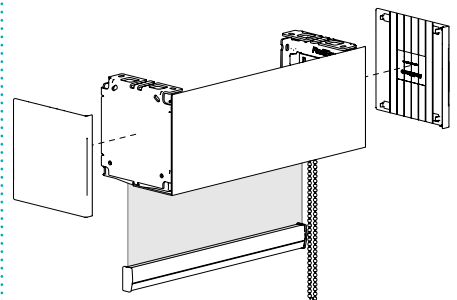
Attach Chain Cover
(Not required for SL30 & G400)



Attach Fascia Panel



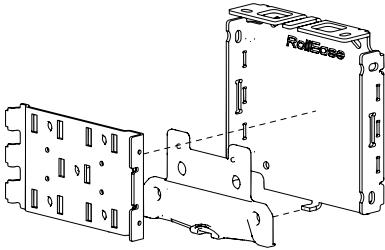
Attach Bracket Covers



5" FASCIA - SKYLINE CLUTCH | DUAL

Pin End Assembly

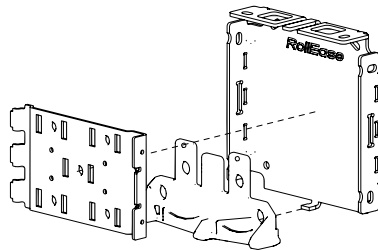
NOTE: Once the Insert Plate is assembled with the bracket, it cannot be released.



OPTIONAL:
Use a Mallet to snap the Skyline Insert Plate to the bracket

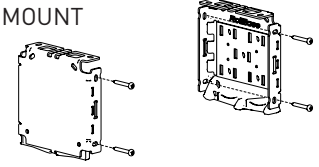
Control End Assembly

NOTE: Once the Insert Plate is assembled with the bracket, it cannot be released.

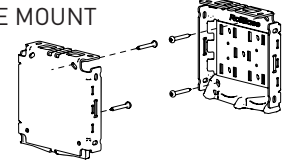


OPTIONAL:
Use a Mallet to snap the Skyline Insert Plate to the bracket

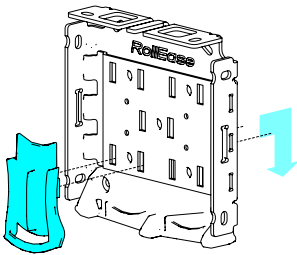
WALL MOUNT



INSIDE MOUNT

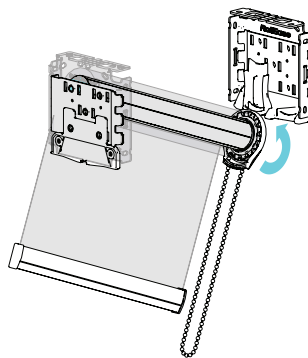


Attach Chain Diverter to bracket Assembly



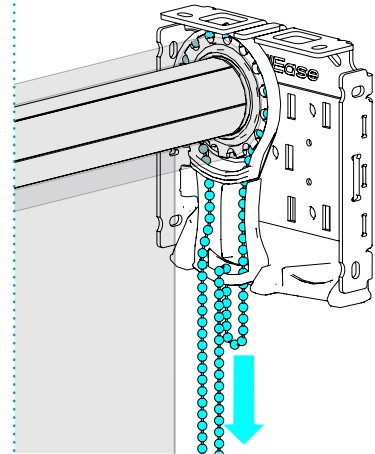
Push hooks through the bracket and pull down

Attach Top Roller Assembly Pin first

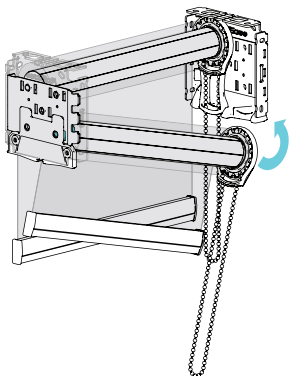


Push hooks through the bracket and pull down

Pull Chain through Chain Diverter

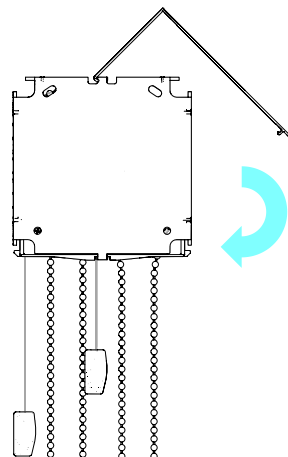


Attach Bottom Roller Assembly Pin first

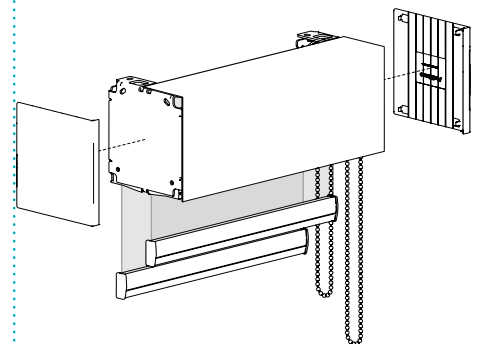


Push hooks through the bracket and pull down

Attach Fascia Panels



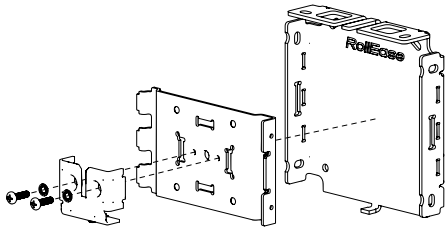
Attach Bracket Covers



5" FASCIA - AUTOMATE MOTOR | SINGLE

Pin End Assembly

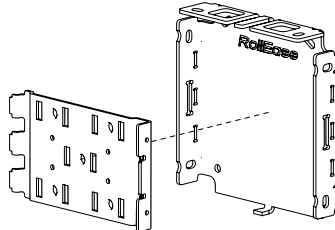
NOTE: Once the Insert Plate is assembled with the bracket, it cannot be released.



OPTIONAL:
Use a Mallet to snap the Skyline Insert Plate to the bracket

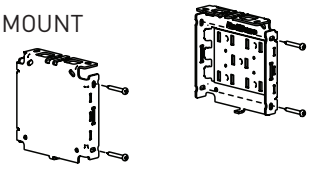
Control End Assembly

NOTE: Once the Insert Plate is assembled with the bracket, it cannot be released.

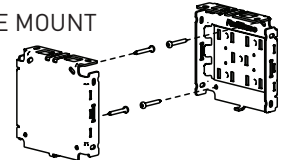


OPTIONAL:
Use a Mallet to snap the Skyline Insert Plate to the bracket

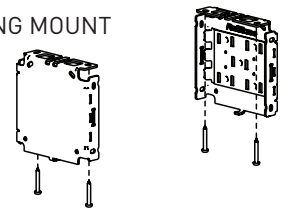
WALL MOUNT



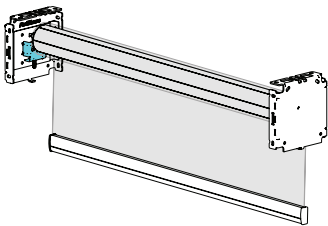
INSIDE MOUNT



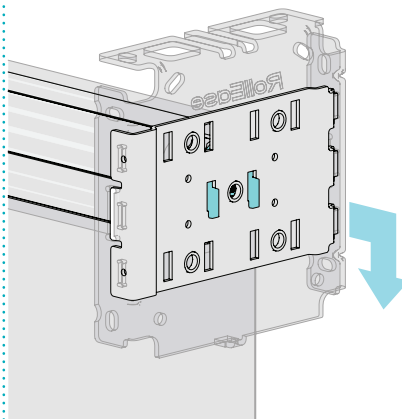
CEILING MOUNT



Attach Roller Assembly Pin First

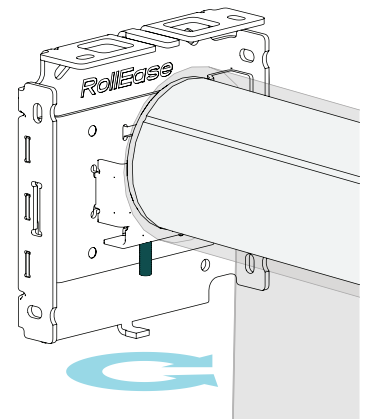


Attach Skyline Control to Bracket

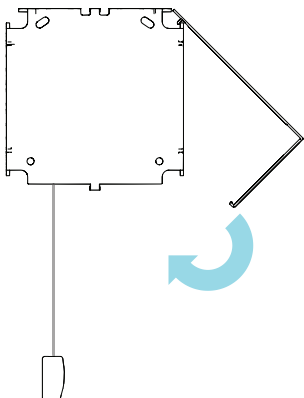


Push hooks through the bracket and pull down

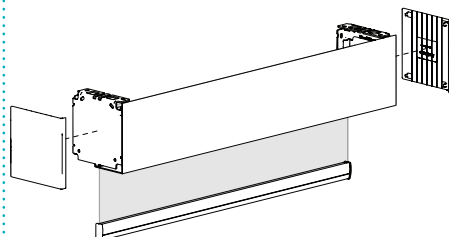
Adjust Yoke screw until Shade is level



Attach Fascia Panels



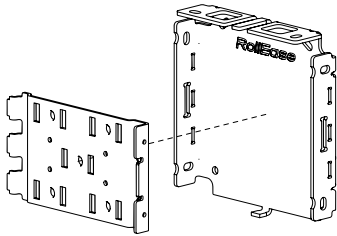
Attach Bracket Covers



5" FASCIA - AUTOMATE MOTOR | DUAL

Pin End Assembly

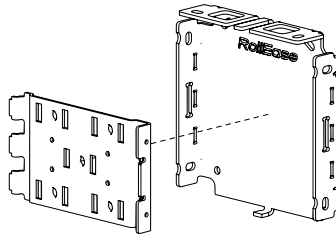
NOTE: Once the Insert Plate is assembled with the bracket, it cannot be released.



OPTIONAL:
Use a Mallet to snap the Skyline Insert Plate to the bracket

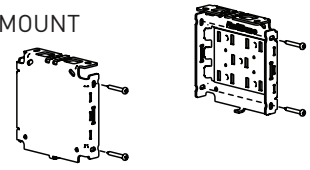
Control End Assembly

NOTE: Once the Insert Plate is assembled with the bracket, it cannot be released.

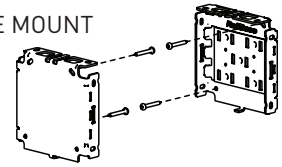


OPTIONAL:
Use a Mallet to snap the Skyline Insert Plate to the bracket

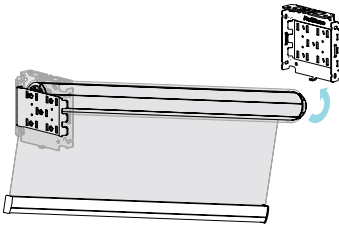
WALL MOUNT



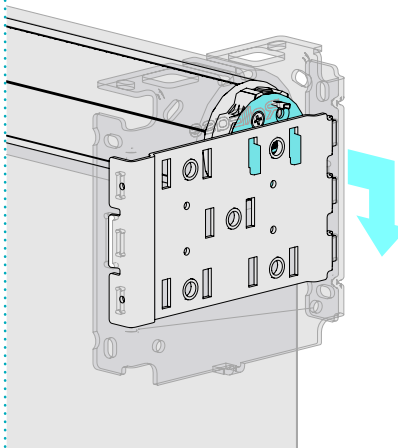
INSIDE MOUNT



Attach Top Roller Assembly Pin first

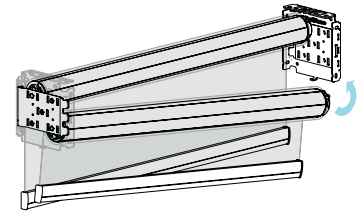


Attach Skyline Hooks in place

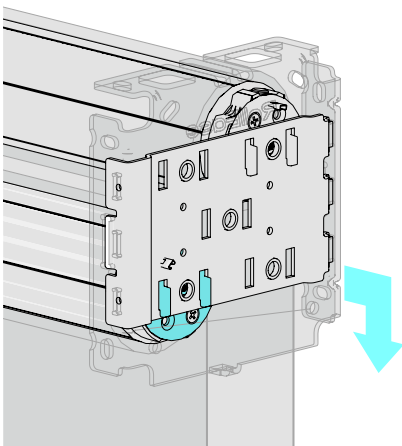


Push hooks through the bracket and pull down

Attach Bottom Roller Assembly Pin first

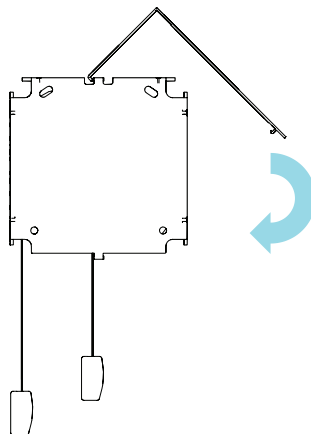


Attach Skyline Hooks in place

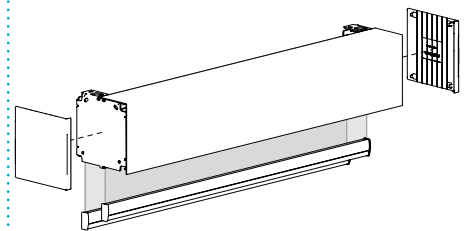


Push hooks through the bracket and pull down

Attach Fascia Panels



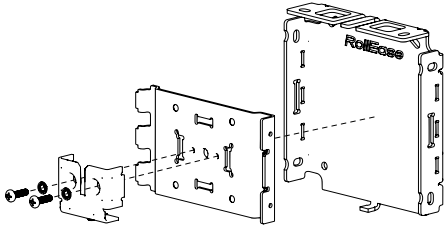
Attach Bracket Covers



5" FASCIA - 3RD PARTY MOTORS | SINGLE

Pin End Assembly

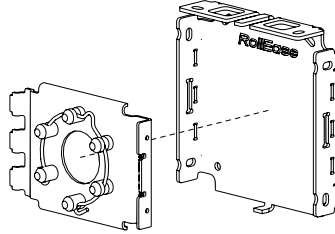
NOTE: Once the Insert Plate is assembled with the bracket, it cannot be released.



OPTIONAL:
Use a Mallet to snap the Skyline Insert Plate to the bracket

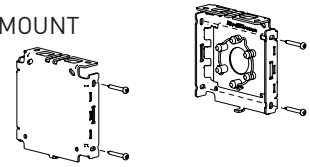
Control End Assembly

NOTE: Once the Insert Plate is assembled with the bracket, it cannot be released.

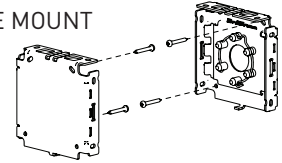


OPTIONAL:
Use a Mallet to snap the Skyline Insert Plate to the bracket

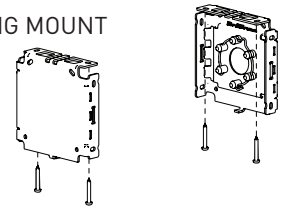
WALL MOUNT



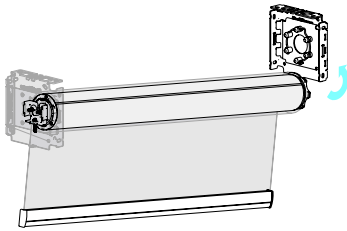
INSIDE MOUNT



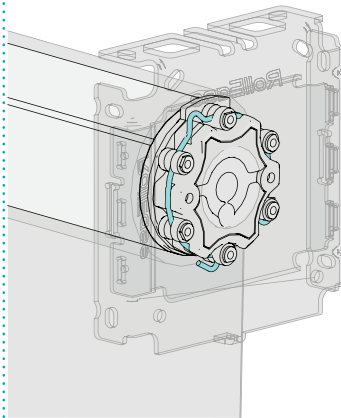
CEILING MOUNT



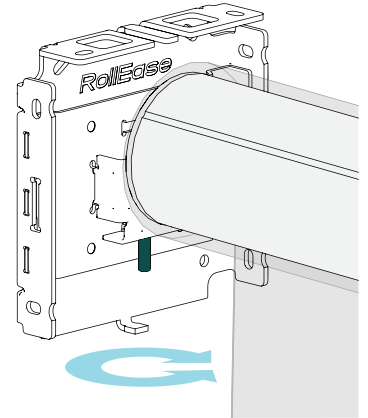
Attach Roller Assembly Pin First



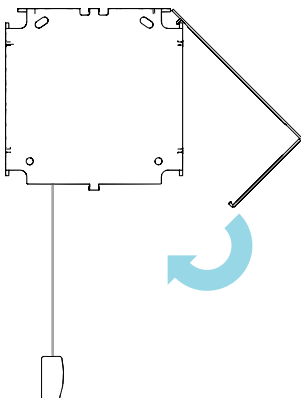
Attach Motor Control to Bracket



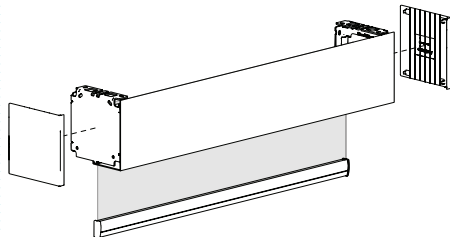
Adjust Yoke screw until Shade is level



Attach Fascia Panels

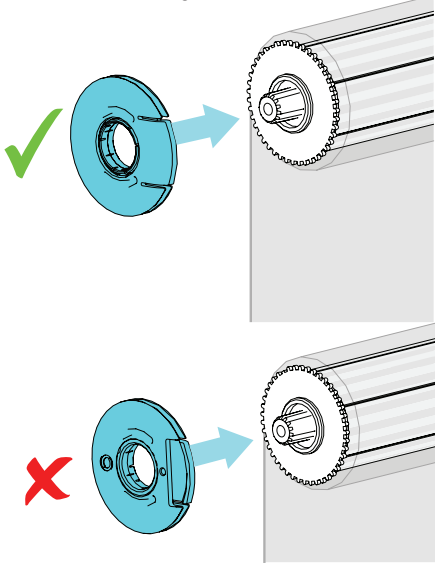


Attach Bracket Covers

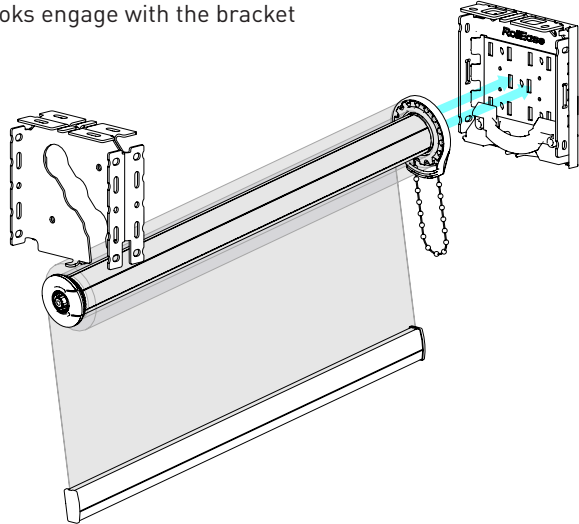


5" FASCIA - EASY LINK SYSTEM

Attach the bearing to the drive

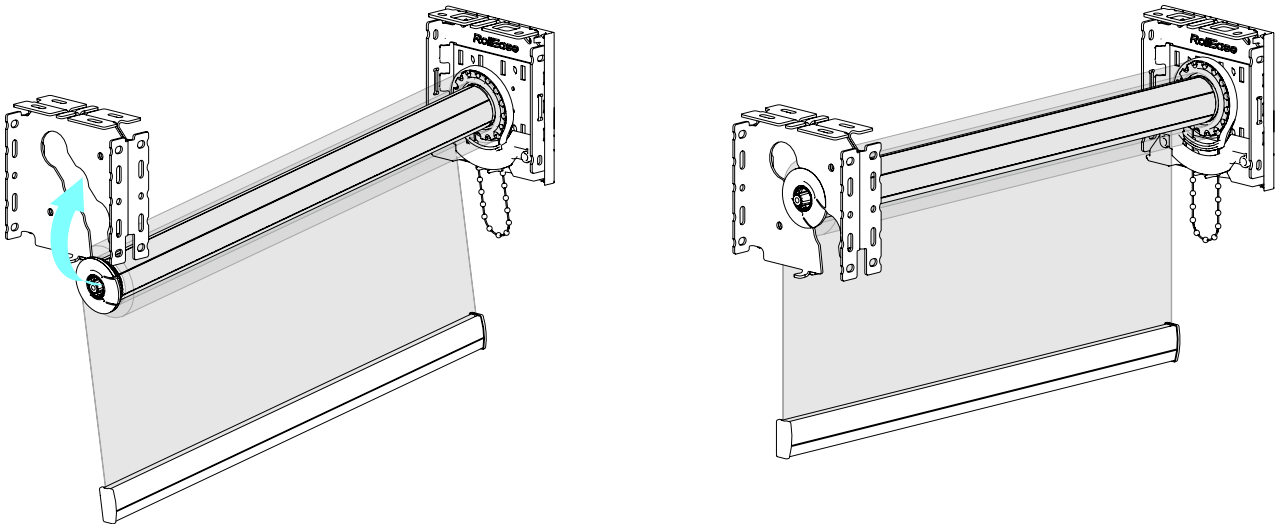


Ensure Clutch hooks engage with the bracket

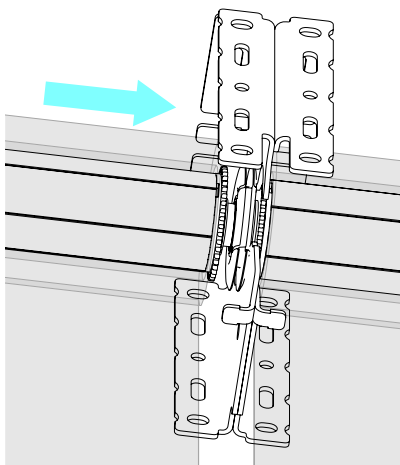


Note: Clutch control is shown in the above illustration. A motor control can be installed in a similar way.

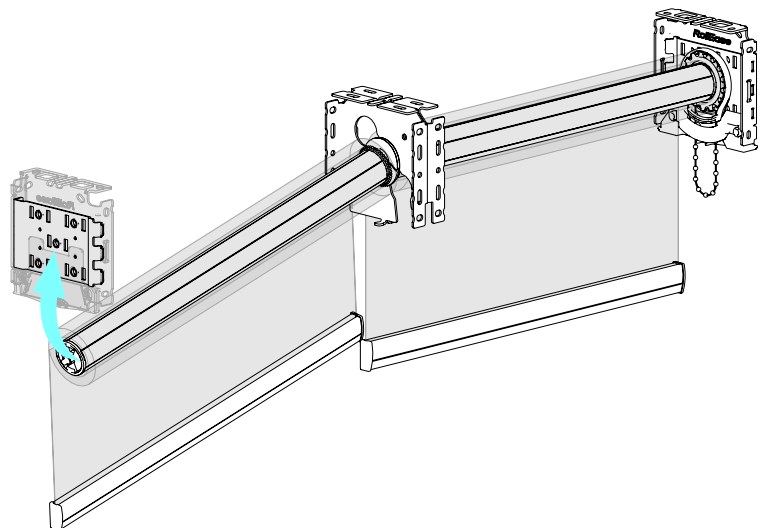
Swing in the Easy-Link End



Ensure the Drive engages with the Bearing

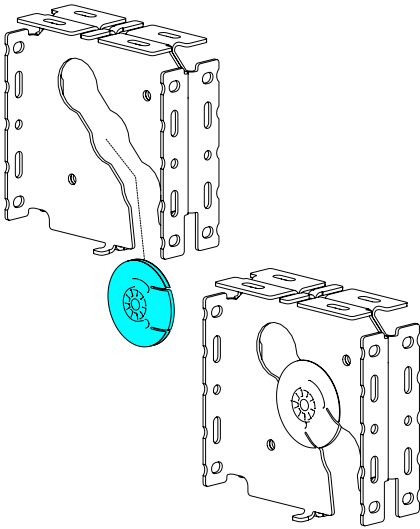


Attach the idler end to the bracket

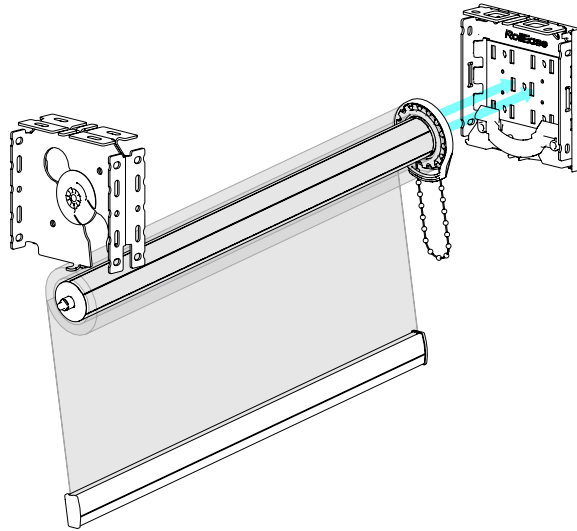


5" FASCIA - INTERMEDIATE LINK SYSTEM

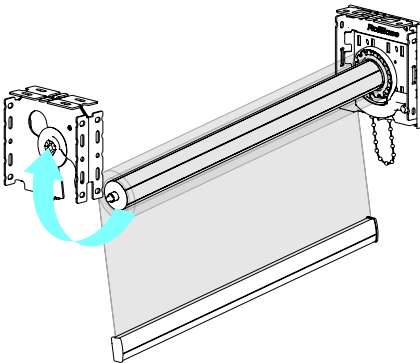
Attach the bearing to the drive



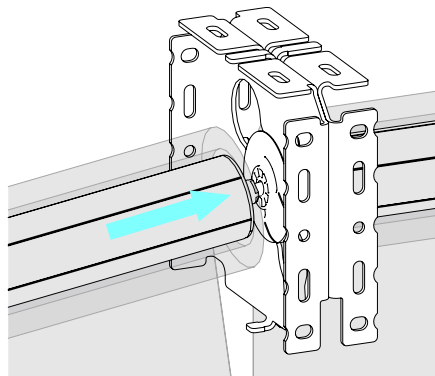
Ensure Clutch hooks engage with the bracket



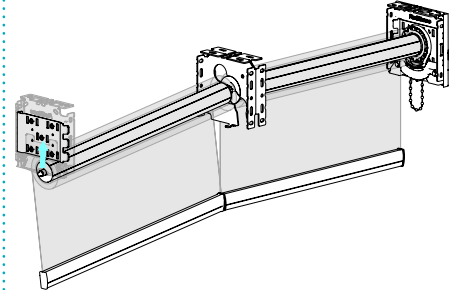
Attach the idler end to the bracket



Attach the idler end of the second shade to the bracket

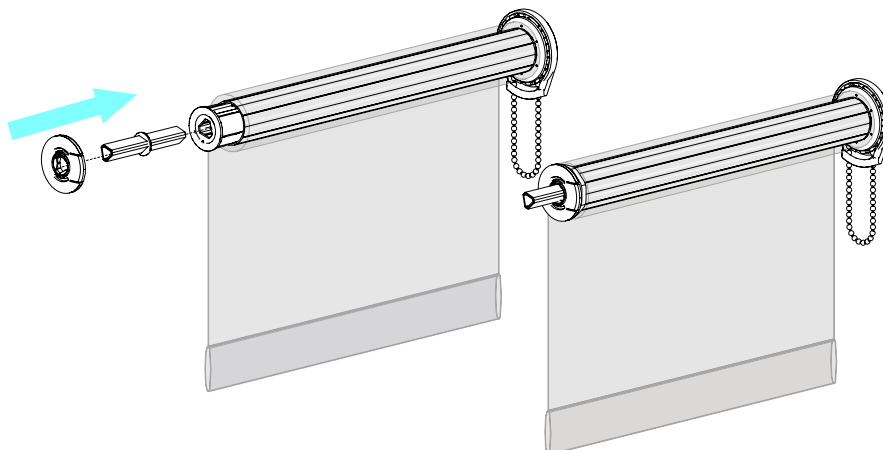


Attach the other idler end of the second shade to the bracket

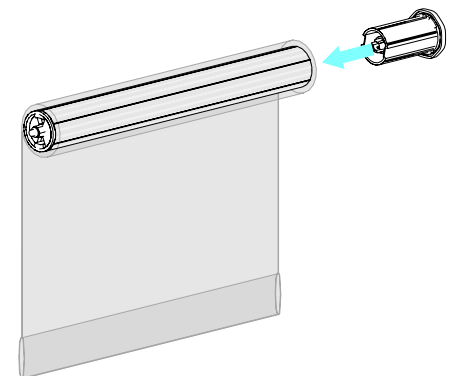


5" FASCIA - INFINITE ADJUSTER

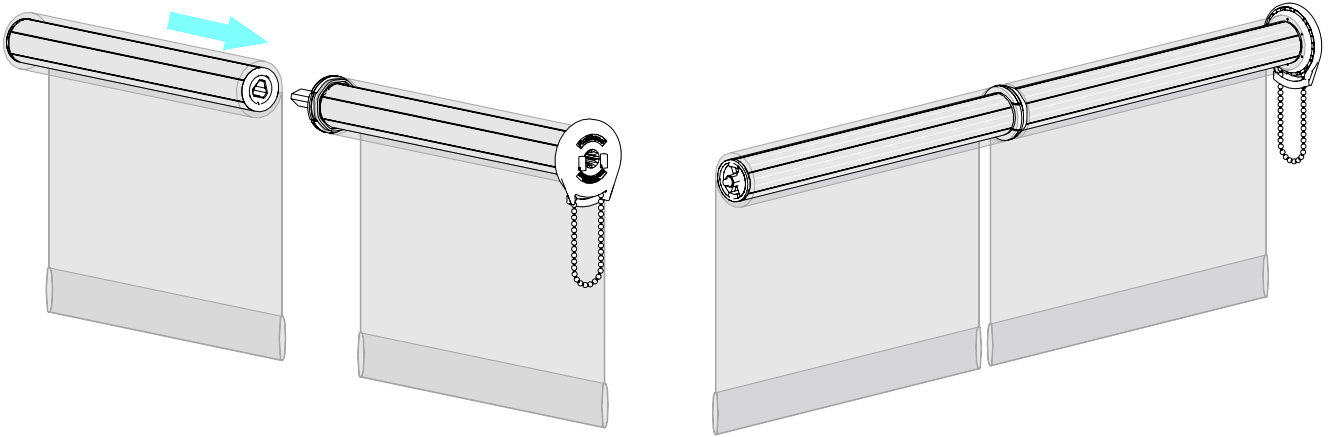
Insert adjuster housing into tube. Then, insert one end of the triangular shaped link through the bearing and then slide the triangular link with bearing into the housing that is in the tube



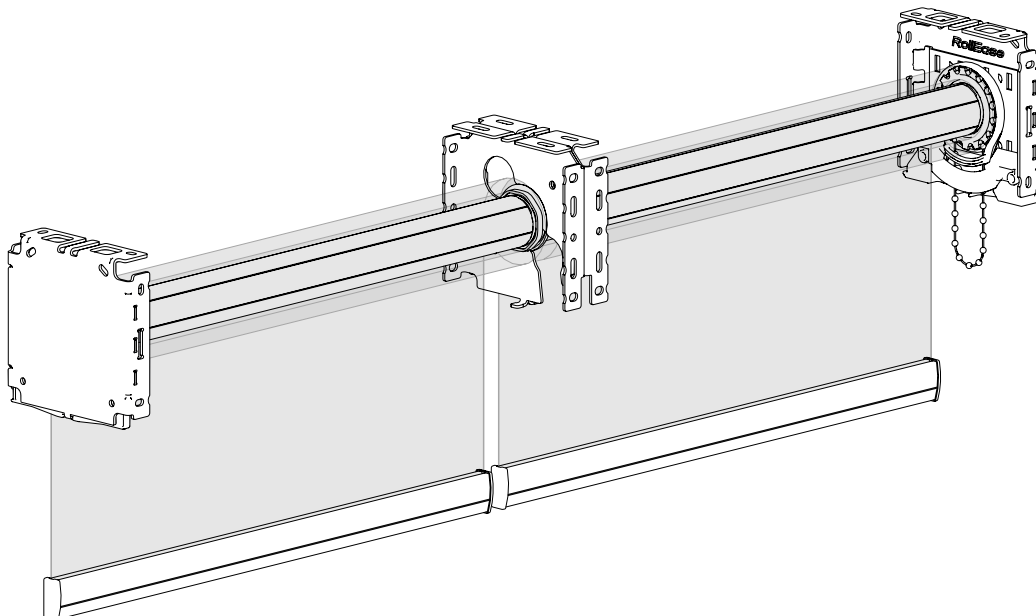
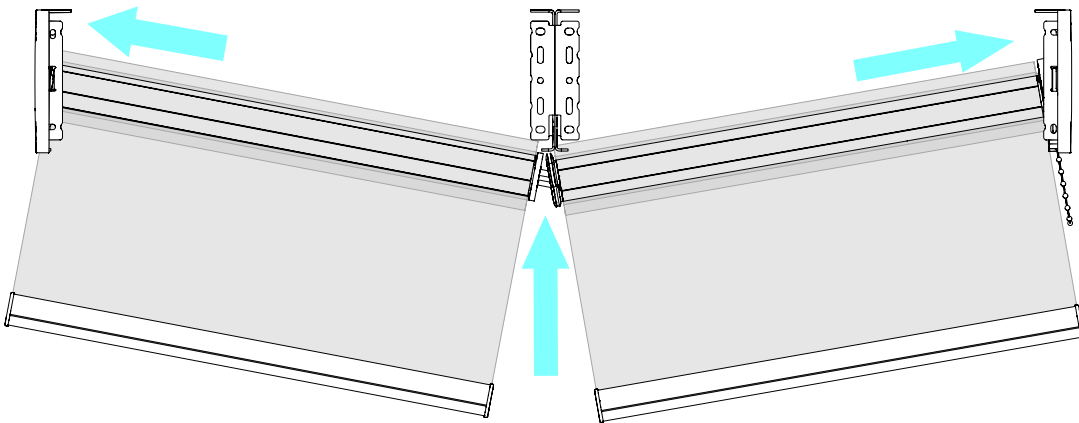
Take tube with the Idler or Pin End in it, and place the Infinite adjuster wheel into the opposite end of the tube. The Infinite Adjuster can never be used in the same tube as the clutch (or motor)



Insert the Infinite Adjuster (on the Idler End) onto the triangular shaped link

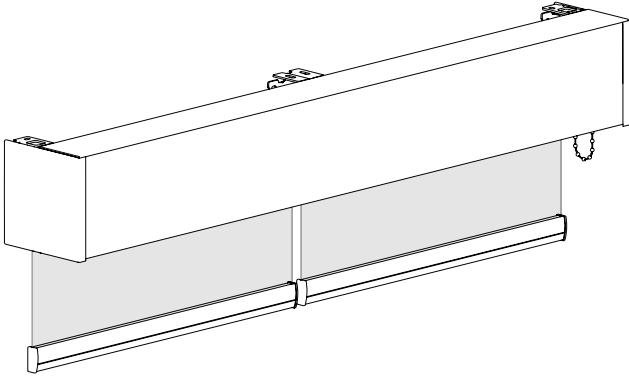


All the link shades should be connected and installed together treating them as one unit. While the ends of the shades that are being linked are supported, insert the clutch and pin end into their respective brackets. This will cause the shades to bow down in a "V"-like shape. If the shades are large this will require two installers. The shades require support and should not be left to hang by the clutch and pin end alone

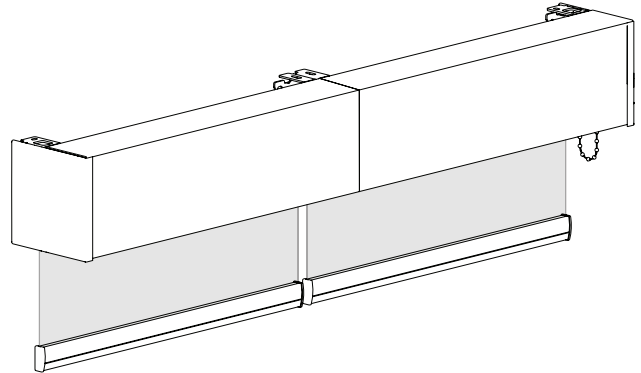


5" SINGLE SHADE LINK SYSTEM

Single Shade One Fascia Link System

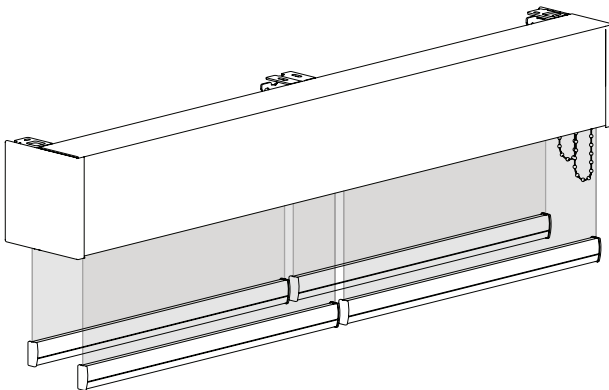


Single Shade Two Fascia Link System



5" DUAL SHADE LINK SYSTEM

Dual Shade One Fascia Link System



Dual Shade Two Fascia Link System

