



# **CURTAIN SYSTEM**

INSTALLATION MANUAL

# CONTENTS

<b>SECTION A:   ITEMS REQUIRED</b>	01
AVAILABLE IN US, AU, EU .....	01
<b>SECTION B:   INSTALLATION</b>	02
CEILING/ TOP FIX BRACKETS .....	02
SINGLE FACE FIX BRACKET .....	03
<b>SECTION C:   MOTOR INSTALLATION</b>	05
CONVENTIONAL ROUTING .....	05
ALTERNATIVE ROUTING .....	05
<b>SECTION D:   DRAPE INSTALLATION</b>	06
INSTALLATION - SINGLE FACE FIX BRACKET .....	06

## DISCLAIMER

### INTRODUCTION

This Product Specifications manual for CURTAIN SYSTEM has been produced by Rollease Acmeda to supply the necessary information for the safe and correct installation of CURTAIN SYSTEM.

### DISCLAIMER

Rollease Acmeda has used reasonable care in preparing the information included in this document, but makes no representations or warranties as to the completeness or accuracy of the information. Information is supplied upon the condition that the persons receiving the information will make their own determination as to its suitability for their purposes prior to use. Rollease Acmeda assumes no liability whatsoever for any damages incurred by you resulting from errors in or omissions from the information included herein. Rollease Acmeda reserves the right to make changes without further notice to any products to improve reliability, function or design.

### COPYRIGHT

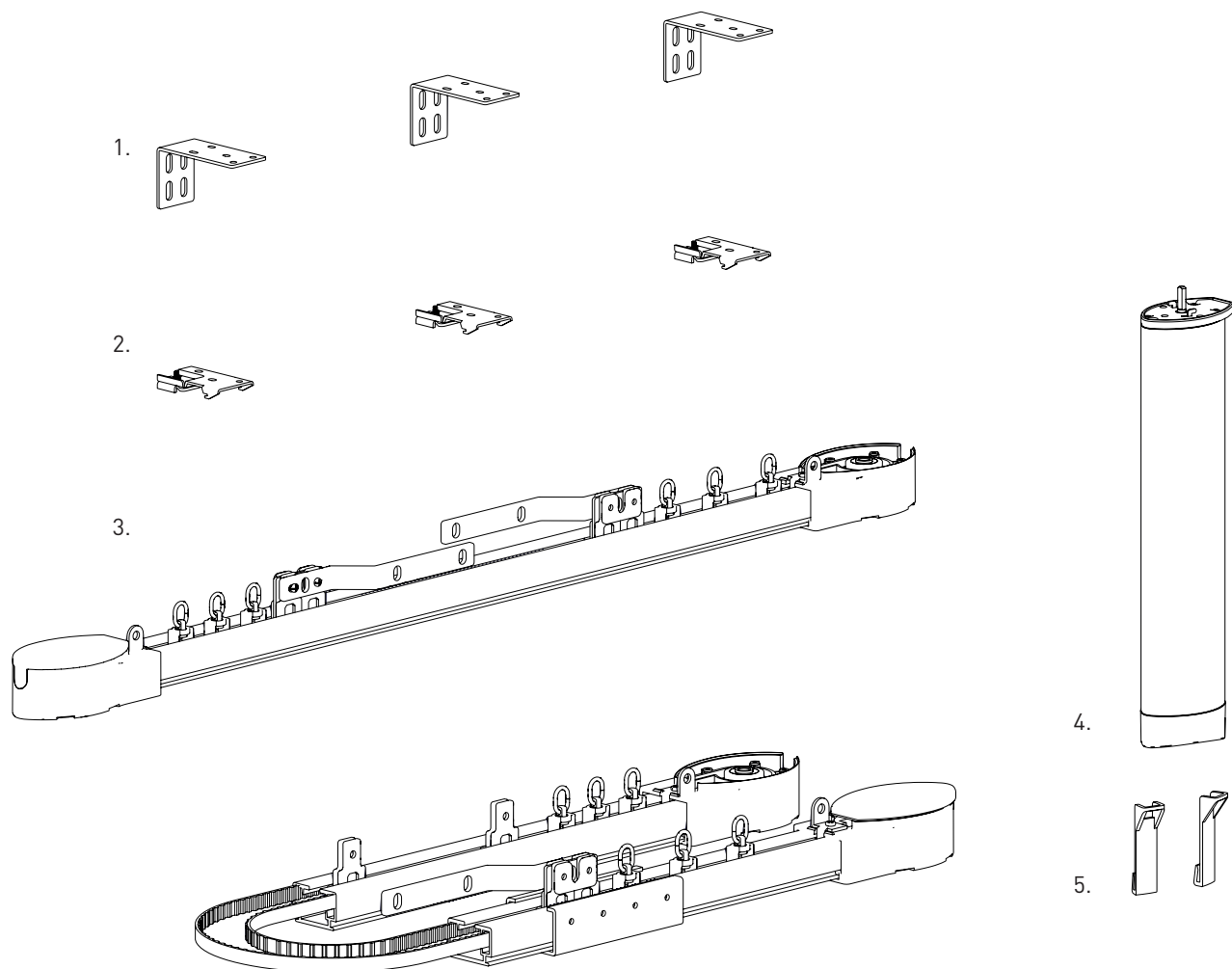
COPYRIGHT © ROLLEASE ACMEDA

All rights are reserved. No part of this document may be reproduced or utilised in any means, by any means, electronic or mechanical including photocopying, recordings, or by any information storage or retrieval system, without the express permission from Rollease Acmeda.

## SECTION A: | ITEMS REQUIRED

### AVAILABLE IN US, AU, EU

---



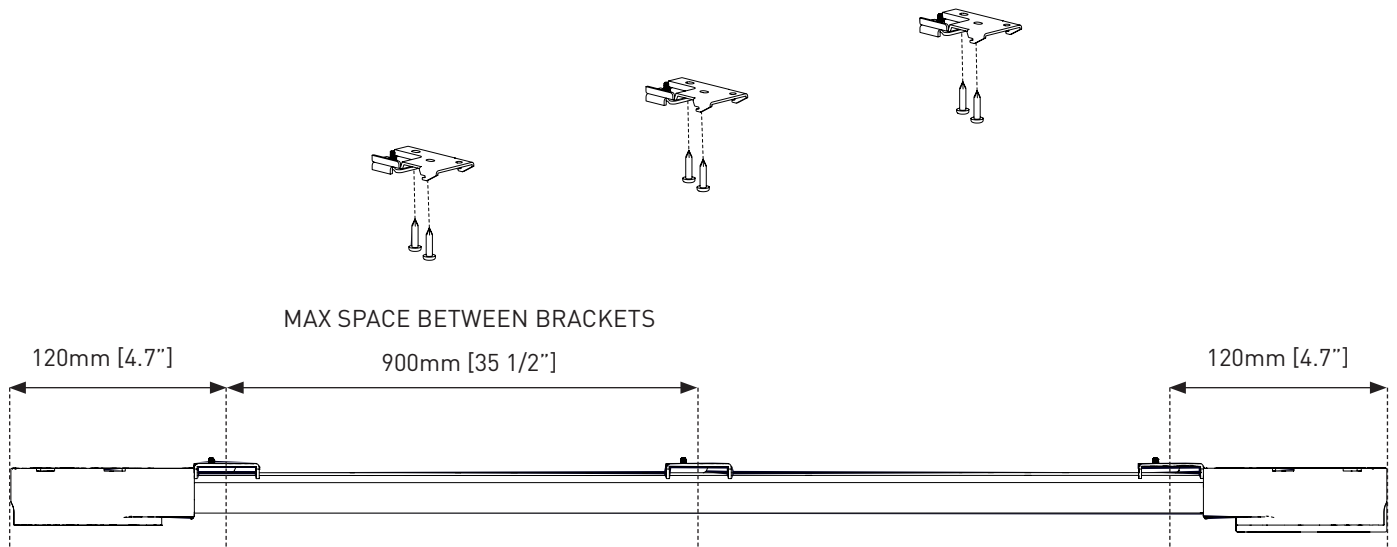
#### SYSTEM INDEX:

---

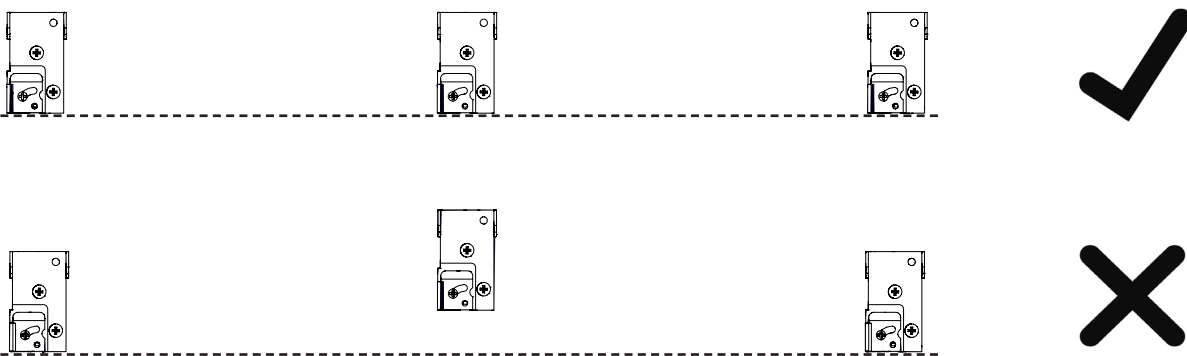
1. Single Face Fix Bracket
2. Ceiling Bracket
3. Drape Track (Pre-Assembled)
4. Automate C - ARC Drape Motor
5. End Hooks

## CEILING/ TOP FIX BRACKETS

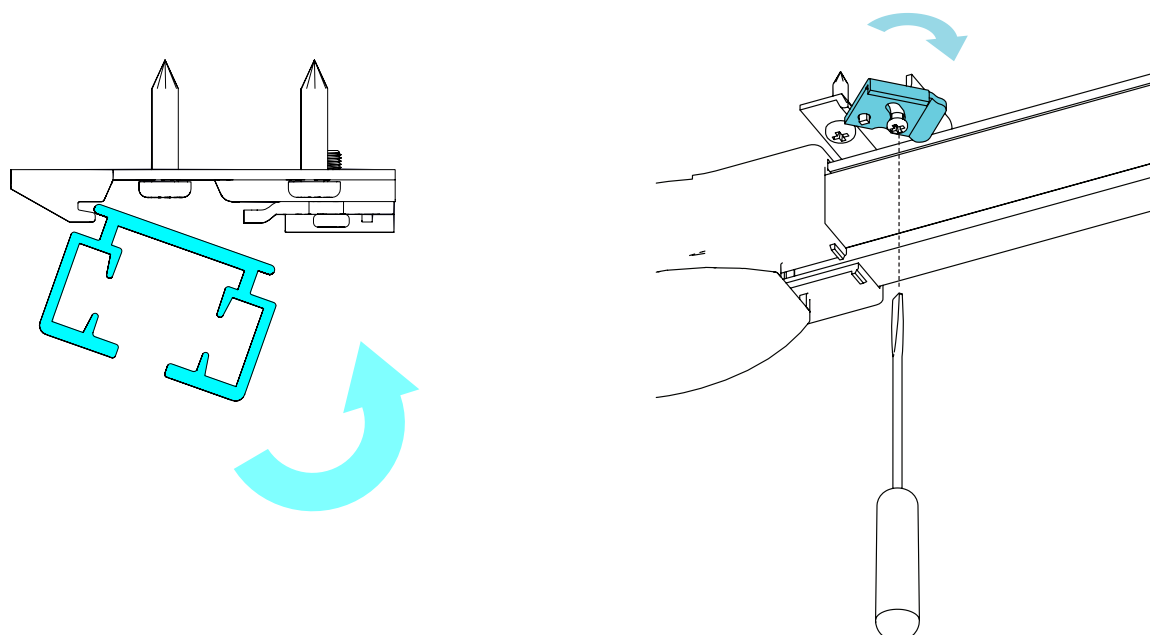
### STEP 1 - ATTACH CEILING BRACKETS TO CEILING



### STEP 2 - ENSURE ALIGNMENT IS STRAIGHT

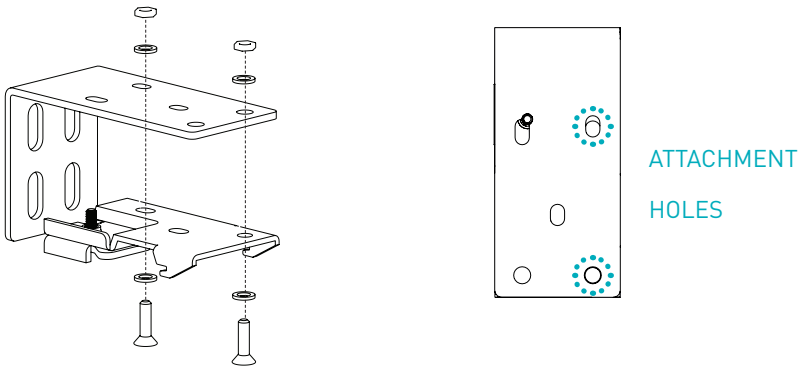


### STEP 3 - ATTACH DRAPE TRACK (ASSEMBLED) TO CEILING BRACKETS

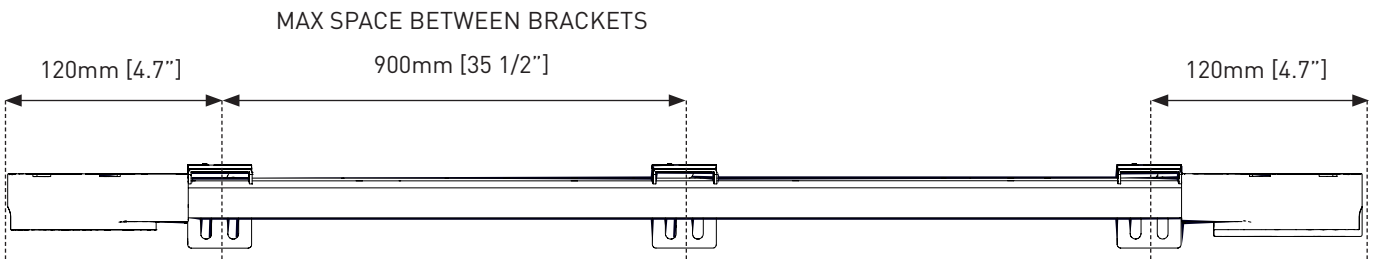
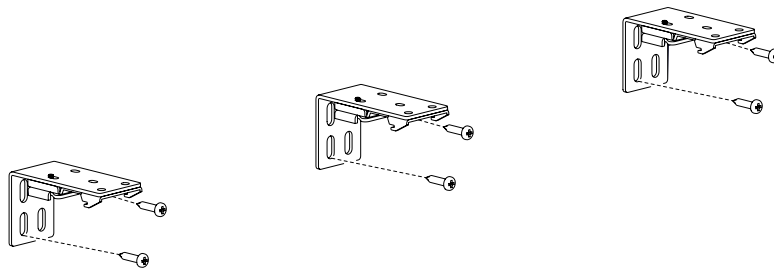


## SINGLE FACE FIX BRACKET

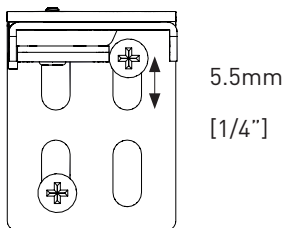
### STEP 1 - ATTACH CEILING BRACKET TO SINGLE FACE FIX BRACKET



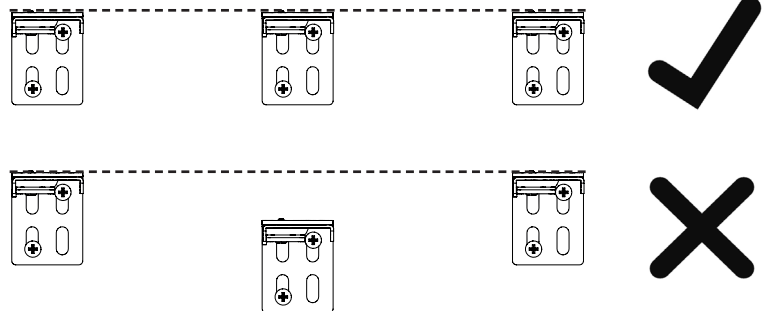
### STEP 2 - ATTACH ASSEMBLED BRACKET TO WALL



### STEP 3 - ADJUSTMENT AS REQUIRED

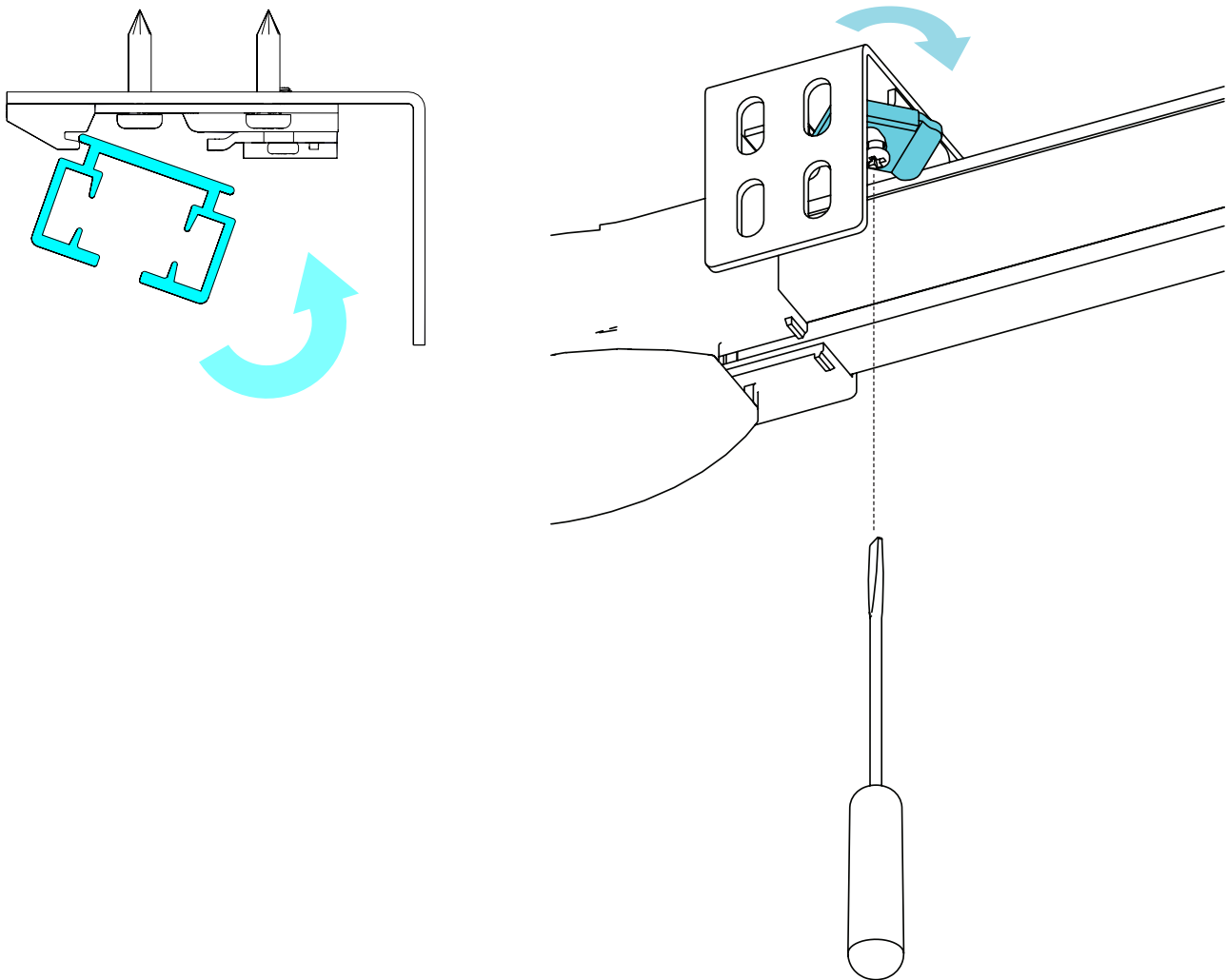


### STEP 4 - ENSURE STRAIGHT ALIGNMENT



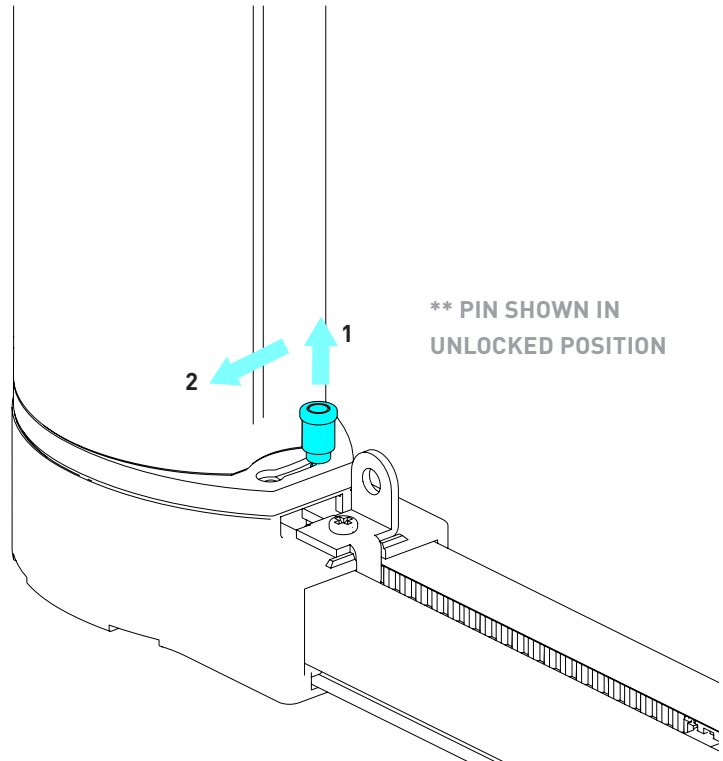
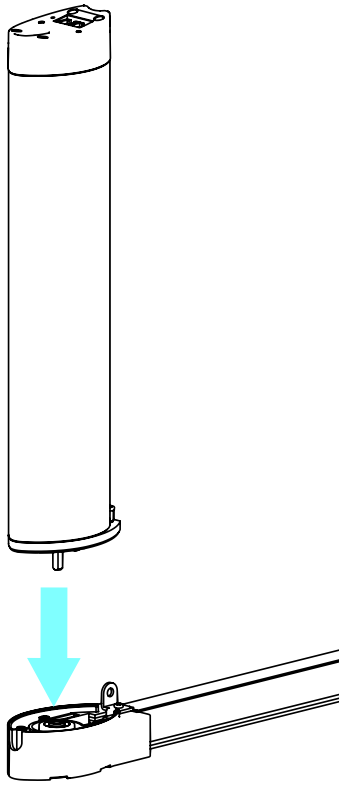
## SINGLE FACE FIX BRACKET

STEP 5 - ATTACH DRAPE TRACK (ASSEMBLED) TO SINGLE FACE FIX BRACKET



### CONVENTIONAL ROUTING

ATTACH MOTOR INTO DRIVE UNIT. LOCK THE MOTOR BY RETRACTING AND SLIDING THE PIN INTO THE LOCK POSITION.



### ALTERNATIVE ROUTING

THE MOTOR POWER CABLE CAN BE ROUTED THROUGH THE DRAPE MOTOR FOR NEATER INSTALLATIONS.

