

# ROMANS

## WORKROOM

|                              |     |
|------------------------------|-----|
| Workroom                     | 97  |
| Roller Roman                 | 99  |
| SS38 Chain Control System    | 105 |
| S45 Roman Lift Spool System  | 107 |
| Ring Lock Accessories        | 109 |
| No-Sew Roman Bar Accessories | 110 |
| Cords & Chains               | 111 |
| Safety Accessories           | 113 |

**WORKROOM CLUTCH**



|       |          |          |
|-------|----------|----------|
| TYPE  | Large    | Slim     |
| PRICE |          |          |
| CODE  | CSCCL    | CSCLSM   |
| PACK  | 25   100 | 25   100 |

COLOR Natural

**WORKROOM BRACKET**



|       |           |           |
|-------|-----------|-----------|
| TYPE  | Large     | Slim      |
| PRICE |           |           |
| CODE  | CSBKT     | SNSBKT    |
| PACK  | 100   400 | 100   400 |

COLOR Natural

**WORKROOM CLUTCH COVER**



|       |          |           |
|-------|----------|-----------|
| TYPE  | Large    | Slim      |
| PRICE |          |           |
| CODE  | CSCLCVR  | CSCLSMCVR |
| PACK  | 25   200 | 25   200  |

COLOR Natural

**WORKROOM STOP BRACKET**



|       |           |
|-------|-----------|
| PRICE |           |
| CODE  | SSB       |
| PACK  | 100   400 |

COLOR Vanilla

**COMBO HEAD SCREW**

#6 x 5/8"



|       |             |
|-------|-------------|
| PRICE |             |
| CODE  | SC6625C500  |
| PACK  | 500   5,000 |

**HEX SLOTTED SCREW**

#6 x 3/4"



|       |             |
|-------|-------------|
| PRICE |             |
| CODE  | SC6750H500  |
| PACK  | 500   5,000 |

**SPEAR DRIVE**

PAIR



|       |           |
|-------|-----------|
| TYPE  | 3.8"      |
| PRICE |           |
| CODE  | VSPR38    |
| PACK  | 100   500 |

|       |           |           |           |
|-------|-----------|-----------|-----------|
| TYPE  | 4.6"      | 5.7"      | 6.3"      |
| PRICE |           |           |           |
| CODE  | VSPR46    | VSPR57    | VSPR63    |
| PACK  | 100   500 | 100   500 | 100   500 |

**WORKROOM DRIVE DISK AND RETAINER SET**



|       |             |
|-------|-------------|
| PRICE |             |
| CODE  | CSDDRS      |
| PACK  | 100   1,000 |

COLOR Natural

**SCREWS FOR 5" END PLATE & WORKROOM SHAFT CONNECTOR**

#6 x 1/2"



| PRICE |             |             |
|-------|-------------|-------------|
| CODE  | CSDCS       | CSDCSW      |
| PACK  | 100   1,000 | 100   1,000 |

COLOR White

**LIFT CORD LOCK LEVELLING DEVICE**

| PRICE |             |
|-------|-------------|
| CODE  | CSORBC      |
| PACK  | 100   1,000 |



COLOR Clear

**SCREW EYE**

| PRICE |           |
|-------|-----------|
| CODE  | CSSE      |
| PACK  | 200   800 |



**WORKROOM SHAFT CONNECTOR**

| PRICE |          |
|-------|----------|
| CODE  | CSDDC    |
| PACK  | 20   200 |



**WORKROOM CORD CLIP**

| PRICE |             |
|-------|-------------|
| CODE  | CSCC        |
| PACK  | 100   1,000 |



**WORKROOM SHAFT END CAP**

| PRICE |             |
|-------|-------------|
| CODE  | CSEC        |
| PACK  | 100   1,000 |



COLOR White

**LIFT CORD**

0.9mm



| TYPE  | 100 yd roll | 1000 yd roll |
|-------|-------------|--------------|
| PRICE |             |              |
| CODE  | CSLC100     | CSLC1000     |
| PACK  | 1   4       | 1   4        |

COLOR White

**SHAFT**

3/8"



| TYPE  | 14'   Aluminum | 14'   Fiberglass | 7'   Aluminum |
|-------|----------------|------------------|---------------|
| PRICE |                |                  |               |
| CODE  | VRS14A         | VRS14FG          | VRS7A         |
| PACK  | 25   0         | 25   0           | 25   0        |

**SAFETY SHROUD**

500 yd roll



| PRICE |           |         |
|-------|-----------|---------|
| CODE  | CSS500xxx | CSS500W |
| PACK  | 1   4     | 1   4   |

COLOR White, Vanilla (V), Camel (320)

**BOTTOM RING SET**

| PRICE |          |
|-------|----------|
| CODE  | CSBRS    |
| PACK  | 1001,000 |



**TUBE SPOOL**



|       |          |          |
|-------|----------|----------|
| TYPE  | 1-1/4"   | 1-1/2"   |
| PRICE |          |          |
| CODE  | CS3US    | CS4US    |
| PACK  | 25   200 | 25   200 |
| TYPE  | 2"       | 2.5"     |
| PRICE |          |          |
| CODE  | CS5US    | CS6US    |
| PACK  | 25   200 | 25   200 |

**LIFT CORD**

1000 yd roll



|       |         |           |         |
|-------|---------|-----------|---------|
| TYPE  | 1.2mm   | 1.4mm     | 1.2mm   |
| PRICE |         |           |         |
| CODE  | V2LC100 | V2LC14100 | V2LC305 |
| PACK  | 1   0   | 1   0     | 1   0   |
| COLOR | White   | White     | Sand    |

**ALUMINUM TUBE**

Taped



|       |              |                      |                        |
|-------|--------------|----------------------|------------------------|
| TYPE  | 1-1/8" x 16' |                      |                        |
| PRICE |              |                      |                        |
| CODE  | RTEA2T16     |                      |                        |
| PACK  | 14   0       |                      |                        |
| TYPE  | 1-1/4" x 12' | 1-1/4" x 16'         | 1-1/2" x 12'           |
| PRICE |              |                      |                        |
| CODE  | RTEA3T12     | RTEA3T16             | RTEA4T12               |
| PACK  | 10   0       | 10   0               | 8   0                  |
| TYPE  | 1-1/2" x 16' | 2" x 12'             | 2" x 16'               |
| PRICE |              |                      |                        |
| CODE  | RTEA4T16     | RTEA5T12             | RTEA5T16               |
| PACK  | 8   0        | 4   0                | 4   0                  |
| TYPE  | 2-1/2" x 16' | 3-1/4" [83 mm] x 16' | 2" x 14'   Smooth Wall |
| PRICE |              |                      |                        |
| CODE  | RTEA6T16     | RTEA7T16             | RTEASW5T14             |
| PACK  | 4   0        | 2   0                | 4   0                  |

**LIFT TAPE**

300m



|       |       |
|-------|-------|
| PRICE |       |
| CODE  | UCLTW |
| PACK  | 1   4 |

COLOR White

**TUBE CLIP**



|       |          |          |          |
|-------|----------|----------|----------|
| TYPE  | 1-1/4"   | 1-1/2"   | 2"       |
| PRICE |          |          |          |
| CODE  | RRTC125  | RRTC15   | RRTC2    |
| PACK  | 25   200 | 25   200 | 25   200 |

**ALUMINUM TUBE**

Without Tape



|       |              |              |                        |
|-------|--------------|--------------|------------------------|
| TYPE  | 1-1/2" x 12' | 1-1/2" x 16' | 2" x 12'               |
| PRICE |              |              |                        |
| CODE  | RTEA4U12     | RTEA4U16     | RTEA5U12               |
| PACK  | 8   0        | 8   0        | 4   0                  |
| TYPE  | 2" x 16'     | 2-1/2" x 16' | 2" x 14'   Smooth Wall |
| PRICE |              |              |                        |
| CODE  | RTEA5U16     | RTEA6U16     | RTEASW5U14             |
| PACK  | 4   0        | 4   0        | 4   0                  |

**R16 CLUTCH**

|       |          |
|-------|----------|
| TYPE  | 1-1/2"   |
| PRICE |          |
| CODE  | R16C53xx |
| PACK  | 25   200 |



COLOR Natural, Black (BK), White (W)

**R24 CLUTCH**

Exterior clutches available by special order. Minimum 25 pieces. Four week lead time.



|       |          |                   |
|-------|----------|-------------------|
| TYPE  | 1-1/2"   | 1-1/2"   Exterior |
| PRICE |          |                   |
| CODE  | R24C53xx | R24C53xxEXT       |
| PACK  | 25   100 | 25   100          |

COLOR Natural, Black (BK), White (W)

**MULTI-PURPOSE DOUBLE SIDED TUBE TAPE**



|       |                       |                          |
|-------|-----------------------|--------------------------|
| TYPE  | 1"   Over 2-2/1" Tube | 1/2"   Under 2-1/2" Tube |
| PRICE |                       |                          |
| CODE  | TAPE36                | TAPE361                  |
| PACK  | 1   4                 | 1   4                    |

**G200 GALAXY R-SERIES GEARED CLUTCH**

1-1/2"

|       |          |
|-------|----------|
| PRICE |          |
| CODE  | RGALxx   |
| PACK  | 25   200 |



COLOR Black (BK), White (W)

**G400 GALAXY R-SERIES GEARED CLUTCH**

1-1/2"

|       |           |
|-------|-----------|
| PRICE |           |
| CODE  | RGAL400xx |
| PACK  | 25   100  |



COLOR Black (BK), White (W)

**R8 CLUTCH**



|       |          |          |          |
|-------|----------|----------|----------|
| TYPE  | 1-1/8"   | 1-1/4"   | 1-1/2"   |
| PRICE |          |          |          |
| CODE  | R8C01xx  | R8C03xx  | R8C14xx  |
| PACK  | 25   200 | 25   200 | 25   200 |

COLOR Natural, Black (BK), White (W)

**G200 SKYLINE GEARED SPRING ASSIST**



|       |              |
|-------|--------------|
| TYPE  | 36"   Left   |
| PRICE |              |
| CODE  | RGALSAH36Lxx |
| PACK  | 6   0        |

|       |              |              |              |
|-------|--------------|--------------|--------------|
| TYPE  | 36"   Right  | 45"   Left   | 45"   Right  |
| PRICE |              |              |              |
| CODE  | RGALSAH36Rxx | RGALSAH45Lxx | RGALSAH45Rxx |
| PACK  | 6   0        | 6   0        | 6   0        |

COLOR Black (BK), White (W)

**R24 SPRING ASSIST**



|       |            |
|-------|------------|
| TYPE  | 36"   Left |
| PRICE |            |
| CODE  | SA24L36xx  |
| PACK  | 6   60     |

|       |            |             |             |
|-------|------------|-------------|-------------|
| TYPE  | 45"   Left | 36"   Right | 45"   Right |
| PRICE |            |             |             |
| CODE  | SA24L45xx  | SA24R36xx   | SA24R45xx   |
| PACK  | 6   60     | 6   60      | 6   60      |

COLOR Black (BK), Vanilla (V)

**R-SERIES PIN END**



|       |          |
|-------|----------|
| TYPE  | 1-1/8"   |
| PRICE |          |
| CODE  | REP01xx  |
| PACK  | 25   200 |

|       |          |                    |          |
|-------|----------|--------------------|----------|
| TYPE  | 1-1/4"   | 1-1/2"   Stainless | 1-1/2"   |
| PRICE |          |                    |          |
| CODE  | REP03xx  | REP53xxSS          | REP53xx  |
| PACK  | 25   200 | 25   200           | 25   200 |

COLOR Natural, Black (BK), White (W)

**R3-R8 BRACKET SET**



|       |                   |               |                   |
|-------|-------------------|---------------|-------------------|
| TYPE  | 1-1/2" Projection | 2" Projection | 2-7/8" Projection |
| PRICE |                   |               |                   |
| CODE  | RB360xx           | RB380xx       | RB390xx           |
| PACK  | 25   200          | 25   200      | 25   200          |

COLOR Zinc, Black (BK), White (W)

**R16 BRACKET SET**

1-1/2" Projection

|       |          |
|-------|----------|
| PRICE |          |
| CODE  | RB560xx  |
| PACK  | 25   200 |



COLOR Zinc, Black (BK), White (W)

**R16-R24 BRACKET SET**



|       |               |                   |
|-------|---------------|-------------------|
| TYPE  | 2" Projection | 2-7/8" Projection |
| PRICE |               |                   |
| CODE  | RB580xx       | RB590xx           |
| PACK  | 25   200      | 25   100          |

COLOR Zinc, Black (BK), White (W)

**HEAVY DUTY BRACKET SET**



|       |        |         |
|-------|--------|---------|
| PRICE |        |         |
| CODE  | RBGAL  | RBGALxx |
| PACK  | 25   0 | 25   0  |

COLOR Plated Black (BK), White (W)

**SL10 CLUTCH**

|       |           |
|-------|-----------|
| PRICE |           |
| CODE  | SL10H01xx |
| PACK  | 25   400  |



COLOR Black [BK], Brown [BR], Gray [G], Vanilla [V], White [W]

**G400 GALAXY SKYLINE GEARED CLUTCH**

1-1/2"

|       |            |
|-------|------------|
| PRICE |            |
| CODE  | RGAL400Hxx |
| PACK  | 25   100   |



COLOR Black [BK], White [W]

**SL15 CLUTCH**

1-1/8"



|       |                |              |              |
|-------|----------------|--------------|--------------|
| TYPE  | Antique Bronze | Satin Nickel | Colors below |
| PRICE |                |              |              |
| CODE  | SL15H01AB      | SL15H01SN    | SL15H01xx    |
| PACK  | 25   200       | 25   200     | 25   200     |

COLOR Black [BK], Brown [BR], Gray [G], Vanilla [V], White [W]

**G200 SKYLINE GEARED SPRING ASSIST**

|       |              |
|-------|--------------|
| TYPE  | 36"   Left   |
| PRICE |              |
| CODE  | RGALSAH36Lxx |
| PACK  | 6   0        |



|       |              |              |              |
|-------|--------------|--------------|--------------|
| TYPE  | 36"   Right  | 45"   Left   | 45"   Right  |
| PRICE |              |              |              |
| CODE  | RGALSAH36Rxx | RGALSAH45Lxx | RGALSAH45Rxx |
| PACK  | 6   0        | 6   0        | 6   0        |

COLOR Black [BK], White [W]

**SL20 CLUTCH**

1-1/2"

|       |           |
|-------|-----------|
| PRICE |           |
| CODE  | SL20H53xx |
| PACK  | 25   200  |



COLOR Black [BK], Brown [BR], Gray [G], Vanilla [V], White [W]

**LOCKING RETAINING SPEAR**



|       |           |           |
|-------|-----------|-----------|
| TYPE  | SL10-SL15 | SL20      |
| PRICE |           |           |
| CODE  | RE0030420 | RE0030520 |
| PACK  | 25   200  | 25   200  |

COLOR Black

**SL30 CLUTCH**

1-1/2"

|       |           |
|-------|-----------|
| PRICE |           |
| CODE  | SL30H53xx |
| PACK  | 25   100  |



COLOR Black [BK], White [W]

**SKYLINE PIN END**

SLPEV01xx only available in black, vanilla or white. SLPE40xx only available in black or white.

|       |          |
|-------|----------|
| TYPE  | 40mm     |
| PRICE |          |
| CODE  | SLPE40xx |
| PACK  | 25   200 |



|       |               |               |               |
|-------|---------------|---------------|---------------|
| TYPE  | 1-1/8" [28mm] | 1-1/4" [32mm] | 1-1/2" [38mm] |
| PRICE |               |               |               |
| CODE  | SLPEV01xx     | SLPEV03xx     | SLPEV653xx    |
| PACK  | 25   200      | 25   200      | 25   200      |

COLOR Black [BK], Gray [G], Vanilla [V], White [W]

**G200 GALAXY SKYLINE GEARED CLUTCH**

1-1/2"



|       |                |              |              |
|-------|----------------|--------------|--------------|
| TYPE  | Antique Bronze | Satin Nickel | Colors below |
| PRICE |                |              |              |
| CODE  | RGALHAB        | RGALHSN      | RGALHxx      |
| PACK  | 25   200       | 25   200     | 25   200     |

COLOR Black [BK], White [W]

**SKYLINE HEADY DUTY PIN END**

1/1-2"



|       |                |              |              |
|-------|----------------|--------------|--------------|
| TYPE  | Antique Bronze | Satin Nickel | Colors below |
| PRICE |                |              |              |
| CODE  | SLPEHD53AB     | SLPEHD53SN   | SLPEHD53xx   |
| PACK  | 25   200       | 25   200     | 25   200     |

COLOR Black (BK), Brown (BR), Gray (G), Vanilla (V), White (W)

**SKYLINE NARROW BRACKET**

\* Vanilla is not available in this size



|       |                  |              |           |
|-------|------------------|--------------|-----------|
| TYPE  | 1-1/4" *1-1/4" * | 1-1/2"1-1/2" | 2"2"      |
| PRICE |                  |              |           |
| CODE  | SLNB650xx        | SLNB660xx    | SLNB680xx |
| PACK  | 50   400         | 50   400     | 50   400  |

COLOR Plated, Black (BK), Vanilla (V), White (W)

**SKYLINE BRACKET**

1/1-2"



|       |          |
|-------|----------|
| PRICE |          |
| CODE  | SLB660xx |
| PACK  | 50   400 |

COLOR Plated, Black (BK), Bronze (BZ), Gray (G), Vanilla (V), White (W)

**SKYLINE NARROW BRACKET COVER**



|       |           |           |           |
|-------|-----------|-----------|-----------|
| TYPE  | 1-1/4"    | 1-1/2"    | 2"        |
| PRICE |           |           |           |
| CODE  | SLNBC650W | SLNBC660W | SLNBC680W |
| PACK  | 50   400  | 50   400  | 50   400  |

COLOR White

**SKYLINE RIBBED BRACKET**

2"



|       |           |
|-------|-----------|
| PRICE |           |
| CODE  | SLB680Rxx |
| PACK  | 50   400  |

COLOR Zinc, Black (BK), Gray (G), Vanilla (V), White (W)

**LINK SYSTEM INFINITE ADJUSTER KIT**

|       |            |
|-------|------------|
| PRICE |            |
| CODE  | LSADJKITxx |
| PACK  | 25   200   |



COLOR Black (BK), White (W)

**SKYLINE BRACKET COVER**



**MEDIUM LINK SKYLINE BRACKET DISK & BEARING**

|       |                  |
|-------|------------------|
| PRICE |                  |
| CODE  | RB41-0501-xxx000 |
| PACK  | 25   400         |



COLOR Black (050), White (069)

|       |                     |                   |           |
|-------|---------------------|-------------------|-----------|
| TYPE  | 2"   Antique Bronze | 2"   Satin Nickel | 2"        |
| PRICE |                     |                   |           |
| CODE  | SLBC680AB           | SLBC680SN         | SLBC680xx |
| PACK  | 50   400            | 50   400          | 50   400  |

|       |                         |                       |          |
|-------|-------------------------|-----------------------|----------|
| TYPE  | 1-1/2"   Antique Bronze | 1-1/2"   Satin Nickel | 1-1/2"   |
| PRICE |                         |                       |          |
| CODE  | SLBCAB                  | SLBCSN                | SLBCxx   |
| PACK  | 50   400                | 50   400              | 50   400 |

COLOR Black (BK), Brown (BR), Gray (G), Vanilla (V), White (W)

**MEDIUM EASY-LINK FEMALE DRIVE**

|       |                  |
|-------|------------------|
| TYPE  | 1-1/2" (38mm)    |
| PRICE |                  |
| CODE  | RB41-1001-xxx038 |
| PACK  | 25   200         |



COLOR Black (050), White (075)

USE WITH Male drive required to make a link system.



**MEDIUM EASY-LINK MALE DRIVE**

|       |                  |
|-------|------------------|
| TYPE  | 1-1/2" (38mm)    |
| PRICE |                  |
| CODE  | RB41-1002-xxx038 |
| PACK  | 25   200         |



COLOR Black (050), White (075)  
 USE WITH Female drive required to make a link system.

**MEDIUM EASY-LINK BRACKET DISK & BEARING**

|       |                  |
|-------|------------------|
| PRICE |                  |
| CODE  | RB41-0502-xxx000 |
| PACK  | 25   400         |



COLOR Black (050), White (069)

**MEDIUM LINK SKYLINE BRACKET**

Creates link system with Skyline Narrow Bracket



|       |                     |                     |
|-------|---------------------|---------------------|
| TYPE  | For SLNB660 Bracket | For SLNB680 Bracket |
| PRICE |                     |                     |
| CODE  | RB41-0321-xxx138    | RB41-0321-xxx050    |
| PACK  | 25   200            | 25   200            |

COLOR Black (050), White (075)

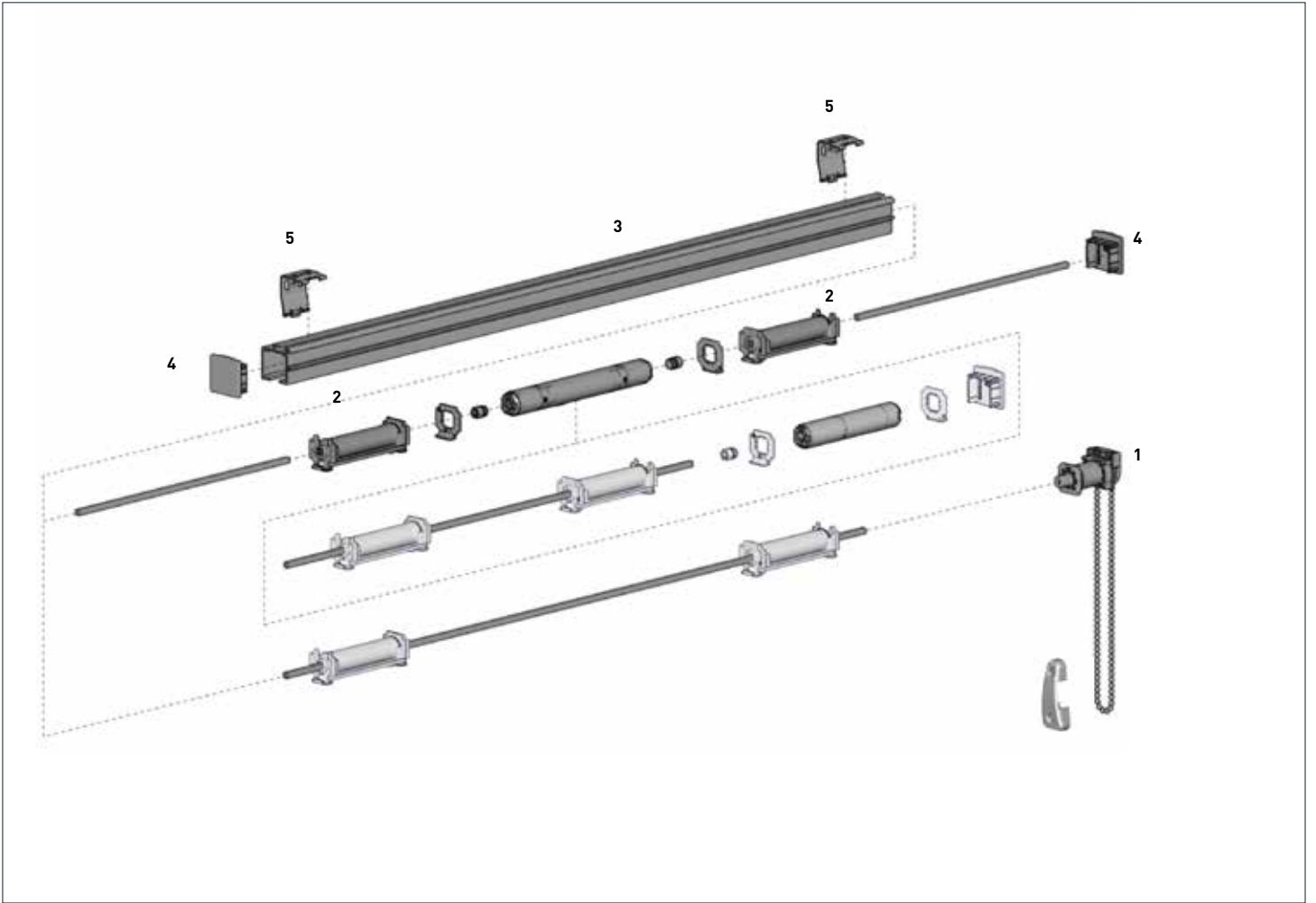
**MEDIUM LINK BRACKET DISK**

To join pin to pin ends

|       |                  |
|-------|------------------|
| PRICE |                  |
| CODE  | RB41-0503-xxx000 |
| PACK  | 25   400         |



COLOR Black (050), White (075)



**COLOR RANGE**



Pure White

**COMPATIBLE AUTOMATE™ MOTORS**

AUTOMATE™ Cord Lift Motor

**PRODUCT OPTIONS**

**AUTOMATE™  
MOTORIZATION**

p.104



**SYSTEM UPGRADES**

**SS38 READY MADE SYSTEM WITH DIRECT DRIVE**

Includes: headrail assembly, drive, spools, endcaps & mounting clips



|       |                  |                  |                  |
|-------|------------------|------------------|------------------|
| TYPE  | 3' (0.9m)        | 4' (1.2m)        | 5' (1.5m)        |
| PRICE |                  |                  |                  |
| CODE  | SS38-9411-069090 | SS38-9411-069120 | SS38-9411-069150 |
| PACK  | 8   0            | 8   80           | 8   0            |

COLOR. Pure White

**SS38 READY MADE SYSTEM WITH PLANETARY DRIVE**

Includes: headrail assembly, drive, spools, endcaps & mounting clips



|       |                  |
|-------|------------------|
| TYPE  | 7' (2.1m)        |
| PRICE |                  |
| CODE  | SS38-9421-069210 |
| PACK  | 8   0            |

|       |                  |                  |                  |
|-------|------------------|------------------|------------------|
| TYPE  | 9' (2.7m)        | 11' (3.3m)       | 13' (4.0m)       |
| PRICE |                  |                  |                  |
| CODE  | SS38-9421-069270 | SS38-9421-069330 | SS38-9421-069390 |
| PACK  | 8   0            | 8   0            | 8   0            |

COLOR. Pure White

**SS38 DIRECT DRIVE**

5mm Square

1a



|       |                  |
|-------|------------------|
| PRICE |                  |
| CODE  | SS38-0411-069051 |
| PACK  | 25   200         |

COLOR. White (069)  
USE WITH. SS38 Aluminum Profile, Metal Rod 5mm Square, Rotation Chain

**SS38 PLANETARY DRIVE**

5mm Square

1b



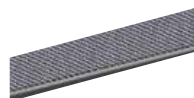
|       |                  |
|-------|------------------|
| PRICE |                  |
| CODE  | SS38-0420-069051 |
| PACK  | 25   200         |

COLOR. Pure White  
USE WITH. SS38 Aluminum Profile, Metal Rod 5mm Square

**TOUCH TAPE SEW-ON | LOOP 25MM (0.98")**

1 Roll = 25Lm (27.34 yd)

-



|       |                  |
|-------|------------------|
| PRICE |                  |
| CODE  | HD31-0125-060025 |
| PACK  | 1   10           |

COLOR. Natural White (060)  
USE WITH. Crimped Touch Tape HOOK on SS38 Aluminum Profile

**CORD LIFT MOTOR ADAPTER KIT | SS38**

Includes Motor Adapters, Clamps, Screws and Shaft Adapters

-



|       |                 |
|-------|-----------------|
| PRICE |                 |
| CODE  | MTAD-CLHRSS38KT |
| PACK  | 10   100        |

COLOR. Natural White (060)  
USE WITH. MTDCRF-CL-0.6-50 Cord Lift & MT01-3001-069001 Double Shaft Motor

**SS38 STANDARD SPOOL WITH CORD 4M (13.12 FT)**

+ Fixing clamps - 5mm Square

2



|       |                  |                  |
|-------|------------------|------------------|
| TYPE  | Standard         | Slim             |
| PRICE |                  |                  |
| CODE  | SS38-8341-580451 | SS38-8331-050069 |
| PACK  | 25   200 Pcs     | 25   200         |

COLOR. White (069)  
USE WITH. SS38 Aluminum Profile, Metal Square Rod

**10MM ACM FLAT SPLINE - WITH DOUBLE SIDED TAPE**

Double Sided MP-HR TAPE - 246 Ft. (75Lm) Roll

-



|       |                  |
|-------|------------------|
| TYPE  | Two Sides        |
| PRICE |                  |
| CODE  | RB92-1003-001075 |
| PACK  | 1   10           |

COLOR. Natural (001)  
USE WITH. SS38 Aluminum Profile

**SS38 HEAD RAIL END CAP**

4



|       |                  |
|-------|------------------|
| PRICE |                  |
| CODE  | SS38-0120-069040 |
| PACK  | 25   200         |

COLOR. Pure White  
USE WITH. SS38 Aluminum Profile

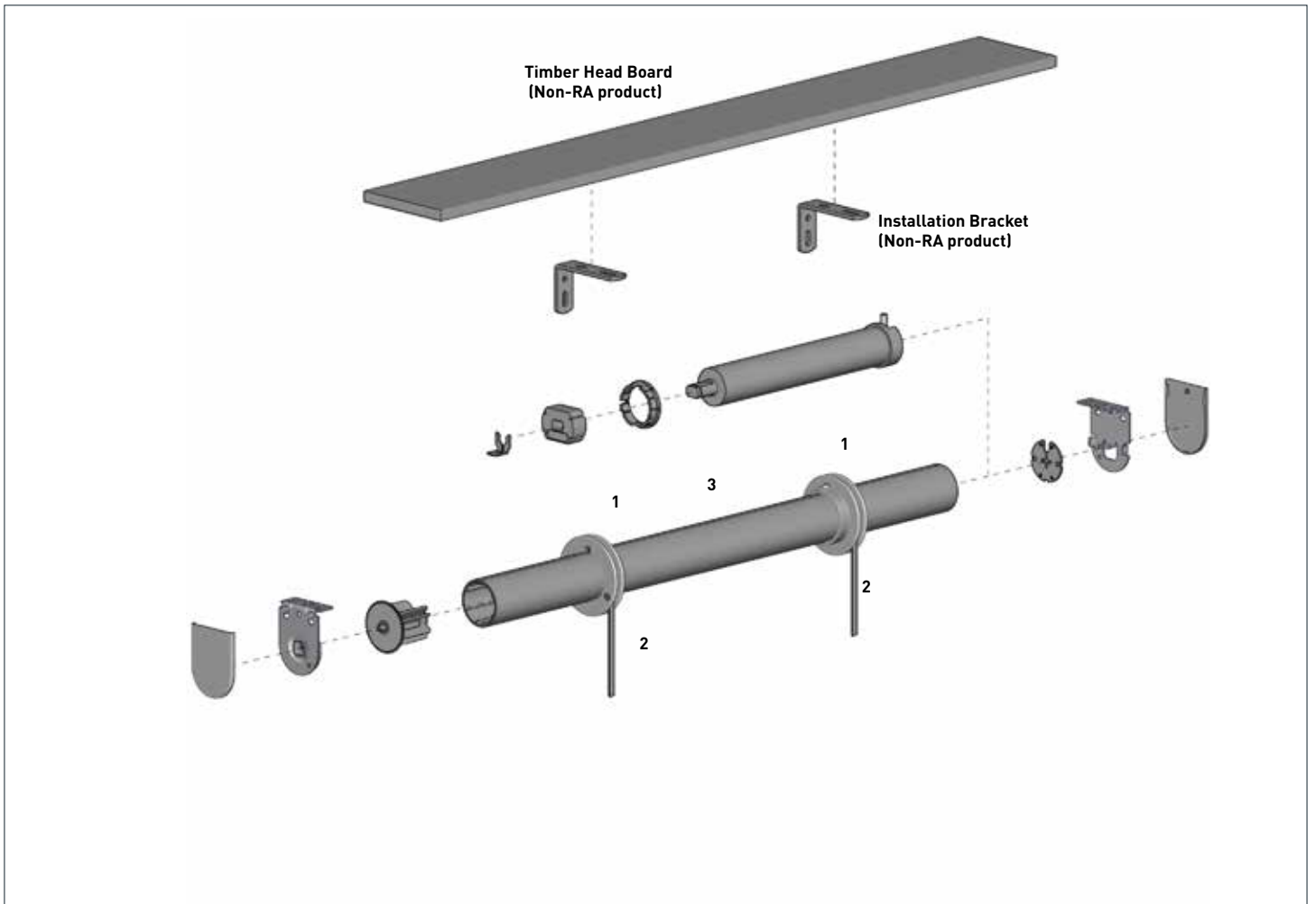
**SS38 LOW PROFILE MOUNTING CLIP**

5



|       |                  |
|-------|------------------|
| PRICE |                  |
| CODE  | SS38-0212-069034 |
| PACK  | 50   1,000       |

COLOR. Pure White  
USE WITH. SS38 Aluminum Profile



COLOR RANGE



Off White

SYSTEM UPGRADES

**S45/RB09** p.43  
**CHAINWINDER SYSTEM**

**S45/RB40 MOTORIZED** p.47  
**SYSTEM**

**S45 EASY-LINK™** p.51  
**SYSTEM**  
 For wider spans

**ROMAN LIFT SPOOL S45 | 44 STD**

1

+ Screw



|       |                  |
|-------|------------------|
| PRICE |                  |
| CODE  | SS48-1043-066060 |
| PACK  | 10   80          |

COLOR. Off White [066]  
 USE WITH. S45|44STD Aluminum Tube, Woven Lift Tape 5.5mm, Braided Cord 1.8mm

**SOFT LIFT TAPES**

2

Woven Lift Tape | 5.5mm 219 Yd. Roll (200 meter)



|       |                  |
|-------|------------------|
| PRICE |                  |
| CODE  | SS95-3217-062005 |
| PACK  | 200   1,000      |

COLOR. Snow White [062]  
 USE WITH. S45 Roman Lift Spool

**BRAIDED CORD**

-

1.8mm/16ply 546 Yd. Roll (500 meter)



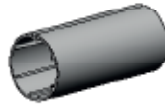
|       |                     |  |
|-------|---------------------|--|
| TYPE  | 1 Roll = 500 Meters |  |
| PRICE |                     |  |
| CODE  | AC01-1816-062500    |  |
| PACK  | 500   6,000         |  |

COLOR. Snow White [062]  
 USE WITH. S60 Roman Lift Spool

**T-SPLINE ALUMINUM TUBE - S45 | STANDARD**

3

O.D 44.0mm x 16 ft. (4.87m) Piece



|       |                  |                  |
|-------|------------------|------------------|
| TYPE  | with D/S Tape    | No Tape          |
| PRICE |                  |                  |
| CODE  | RB93-6444-000490 | RB93-0444-000490 |
| PACK  | 10   80          | 10   80          |

COLOR. Mill [000]  
 USE WITH. S45 Roman Lift Spool

**RING LOCK | FOREVER RING**

|       |       |
|-------|-------|
| PRICE |       |
| CODE  | STSFR |
| PACK  | 1   0 |



**SAFETY RING LOCK**



|       |            |            |
|-------|------------|------------|
| TYPE  | 1.4mm Cord | 0.9mm Cord |
| PRICE |            |            |
| CODE  | STSRL      | STSRL09    |
| PACK  | 1   0      | 1   0      |

COLOR Clear

**RING LOCK | LEVEL LOCK INSERT**

|       |         |
|-------|---------|
| PRICE |         |
| CODE  | STSLILP |
| PACK  | 1   10  |



**ROMAN BAR SLEEVE & ROD**



|       |        |        |
|-------|--------|--------|
| TYPE  | 12'    | 16'    |
| PRICE |        |        |
| CODE  | RRBR12 | RRBR16 |
| PACK  | 50   0 | 40   0 |

**ROMAN BAR END CAP**



|       |             |
|-------|-------------|
| PRICE |             |
| CODE  | RRBEC       |
| PACK  | 500   5,000 |

**ROMAN BAR TUBE**

Round rod



|       |         |
|-------|---------|
| TYPE  | 16'     |
| PRICE |         |
| CODE  | RRBT16  |
| PACK  | 300   0 |

**ROMAN BAR BOTTOM POCKET PLUG**



|       |             |
|-------|-------------|
| PRICE |             |
| CODE  | RRBBP       |
| PACK  | 100   1,000 |

**ROMAN BAR BOTTOM RING SET**



|       |             |
|-------|-------------|
| PRICE |             |
| CODE  | RRBRS       |
| PACK  | 100   1,000 |

**ROMAN BAR CORD GUIDE**



|       |             |
|-------|-------------|
| PRICE |             |
| CODE  | RRBCG       |
| PACK  | 500   5,000 |

**ROMAN BAR CORD GUIDE HOBBLING**

Bottom split



|       |             |
|-------|-------------|
| PRICE |             |
| CODE  | RRBCGH2     |
| PACK  | 500   5,000 |

**C30 CORD LOOP**

Additional lengths available by special order in 1/2 foot increments. Minimum 100 cords per size. Call for pricing.



|       |                  |
|-------|------------------|
| TYPE  | 2'               |
| PRICE |                  |
| CODE  | AC04-0330-xxx020 |
| PACK  | 25   200         |

|       |                  |                  |                  |
|-------|------------------|------------------|------------------|
| TYPE  | 3'               | 4'               | 5'               |
| PRICE |                  |                  |                  |
| CODE  | AC04-0330-xxx030 | AC04-0330-xxx040 | AC04-0330-xxx050 |
| PACK  | 25   200         | 25   200         | 25   200         |

|       |                  |                  |                  |
|-------|------------------|------------------|------------------|
| TYPE  | 6'               | 7'               | 8'               |
| PRICE |                  |                  |                  |
| CODE  | AC04-0330-xxx060 | AC04-0330-xxx070 | AC04-0330-xxx080 |
| PACK  | 25   200         | 25   200         | 25   200         |

COLOR Natural White (104), Vanilla (305), Cocoa (370), Squirrel Gray (820)

**C30 CORD LOOP**

Additional lengths available by special order in 1/2 foot increments. Minimum 100 cords per size. Call for pricing.



|       |          |
|-------|----------|
| TYPE  | 2'       |
| PRICE |          |
| CODE  | D40B2100 |
| PACK  | 25   200 |

|       |          |          |          |
|-------|----------|----------|----------|
| TYPE  | 3'       | 4'       | 5'       |
| PRICE |          |          |          |
| CODE  | D40B3100 | D40B4100 | D40B5100 |
| PACK  | 25   200 | 25   200 | 25   200 |

|       |          |          |          |
|-------|----------|----------|----------|
| TYPE  | 6'       | 7'       | 8'       |
| PRICE |          |          |          |
| CODE  | D40B6100 | D40B7100 | D40B8100 |
| PACK  | 25   200 | 25   200 | 25   200 |

COLOR White

**#10 METAL BEAD CHAIN**

4.5mm Ball | 500' Spool



|       |        |          |
|-------|--------|----------|
| PRICE |        |          |
| CODE  | RBC45M | RBC45MSS |
| PACK  | 1   4  | 1   4    |

COLOR Nickel over Steel Stainless Steel

**#10 METAL BEAD CHAIN LOOP**



|       |          |
|-------|----------|
| TYPE  | 3'       |
| PRICE |          |
| CODE  | RBC03M   |
| PACK  | 10   500 |

|       |          |          |          |
|-------|----------|----------|----------|
| TYPE  | 4'       | 5'       | 6'       |
| PRICE |          |          |          |
| CODE  | RBC04M   | RBC05M   | RBC06M   |
| PACK  | 10   500 | 10   500 | 10   500 |

COLOR Nickel over Steel

**METAL CHAIN CONNECTOR**



|       |           |           |
|-------|-----------|-----------|
| PRICE |           |           |
| CODE  | RCM       | RCMSS     |
| PACK  | 100   800 | 100   800 |

COLOR Nickel over Steel Stainless Steel



**6MM PITCH PLASTIC CHAIN**

820' Roll

|       |          |
|-------|----------|
| PRICE |          |
| CODE  | RBC6MMxx |
| PACK  | 1   4    |



COLOR Black [BK], Brown [BR], Clear [C], Vanilla [V], White [W]

**12MM PITCH PLASTIC CHAIN**

820' Roll

|       |        |
|-------|--------|
| PRICE |        |
| CODE  | RBC8xx |
| PACK  | 1   4  |



COLOR Black [BK], Gray [G], Vanilla [V], White [W]

**PLASTIC CHAIN CONNECTOR**



|       |           |              |
|-------|-----------|--------------|
| TYPE  | Clear     | Colors below |
| PRICE |           |              |
| CODE  | RCPC      | RCPW         |
| PACK  | 100   800 | 100   800    |

COLOR Clear White

**5/16" OPEN METAL STOP BALL**



|       |           |           |
|-------|-----------|-----------|
| PRICE |           |           |
| CODE  | RCMSB     | RCMSBAB   |
| PACK  | 100   800 | 100   800 |

COLOR Nickel Plated Brass Antique Brown

**PLASTIC CHAIN STOP BALL**



|       |               |             |
|-------|---------------|-------------|
| TYPE  | With Shoulder | No Shoulder |
| PRICE |               |             |
| CODE  | RCPSB         | RCPSBC      |
| PACK  | 500   4,000   | 500   4,000 |

COLOR Clear

**#10 METAL BEAD CHAIN PLIERS**



|       |          |            |
|-------|----------|------------|
| TYPE  | Standard | Heavy Duty |
| PRICE |          |            |
| CODE  | RBCPL2   | RE0060102  |
| PACK  | 1   0    | 1   0      |

COLOR Cast Steel Zinc Plated

**6MM PLASTIC CHAIN LOOP**



|       |            |            |            |
|-------|------------|------------|------------|
| TYPE  | 2' [0.62m] | 3' [0.92m] | 4' [1.23m] |
| PRICE |            |            |            |
| CODE  | RBC02P6xx  | RBC03P6xx  | RBC04P6xx  |
| PACK  | 10   500   | 10   500   | 10   500   |

|       |            |            |            |
|-------|------------|------------|------------|
| TYPE  | 5' [1.54m] | 6' [1.85m] | 7' [2.15m] |
| PRICE |            |            |            |
| CODE  | RBC05P6xx  | RBC06P6xx  | RBC07P6xx  |
| PACK  | 10   500   | 10   500   | 10   400   |

|       |            |
|-------|------------|
| TYPE  | 8' [2.44m] |
| PRICE |            |
| CODE  | RBC08P6xx  |
| PACK  | 10   400   |

COLOR Black [BK], Vanilla [V], White [W]

**SAFETY HOLD 3 (SH3) KIT**



|       |            |             |
|-------|------------|-------------|
| TYPE  | Small Pack | Large Pack  |
| PRICE |            |             |
| CODE  | RE0051203  | RE0051303   |
| PACK  | 10   500   | 250   2,500 |

COLOR Clear

**CHAINHOLD INSTRUCTIONS**

|       |                  |
|-------|------------------|
| PRICE |                  |
| CODE  | MK04-INST-133101 |
| PACK  | 200              |

USE WITH Chainhold Kit



**CHAINHOLD KIT**

Bracket & screws



|       |                  |
|-------|------------------|
| PRICE |                  |
| CODE  | RB91-1338-001110 |
| PACK  | 200   800        |

COLOR Clear

**SAFETY TAG**

Operating Cord Tag

|       |                  |
|-------|------------------|
| TYPE  | 5.2.1 (2018)     |
| PRICE |                  |
| CODE  | HD91-0120-000002 |
| PACK  | 100   8,000      |



**CHAINHOLD FLOOR FIX KIT**

Bracket & screws



|       |                  |
|-------|------------------|
| PRICE |                  |
| CODE  | RB91-1338-001210 |
| PACK  | 200   800        |

COLOR Clear

**SAFETY TAG**

Tension Device Tag

|       |                  |
|-------|------------------|
| TYPE  | 5.2.2 (2018)     |
| PRICE |                  |
| CODE  | HD91-0120-000003 |
| PACK  | 100   8,000      |



**CHAINHOLD SIDE FIX KIT**

Bracket & screws



|       |                  |
|-------|------------------|
| PRICE |                  |
| CODE  | RB91-1338-001310 |
| PACK  | 200   800        |

COLOR Clear

**SAFETY LABEL**

Roll of 250 Labels for Bottom Rail

|       |                  |
|-------|------------------|
| TYPE  | 5.1.1 (2018)     |
| PRICE |                  |
| CODE  | HD91-0120-000001 |
| PACK  | 250   5,000      |



**CHAINHOLD COVER**

|       |                  |
|-------|------------------|
| PRICE |                  |
| CODE  | RB91-1336-xxx000 |
| PACK  | 200   800        |



COLOR Black [050], Clear [001], Gray [331], Vanilla [414], White [075]

**SAFETY LABEL**

Roll of 250 Long Labels for Bottom Rail

|       |                  |
|-------|------------------|
| TYPE  | 5.1.1 (2018)     |
| PRICE |                  |
| CODE  | HD91-0120-000004 |
| PACK  | 250   5,000      |



**CHAINHOLD BASE ASSEMBLY**

|       |                  |
|-------|------------------|
| PRICE |                  |
| CODE  | RB91-1337-xxx000 |
| PACK  | 200   800        |



COLOR Black [050], Clear [001], Gray [331], Vanilla [414], White [075]

---

This page has been left blank intentionally