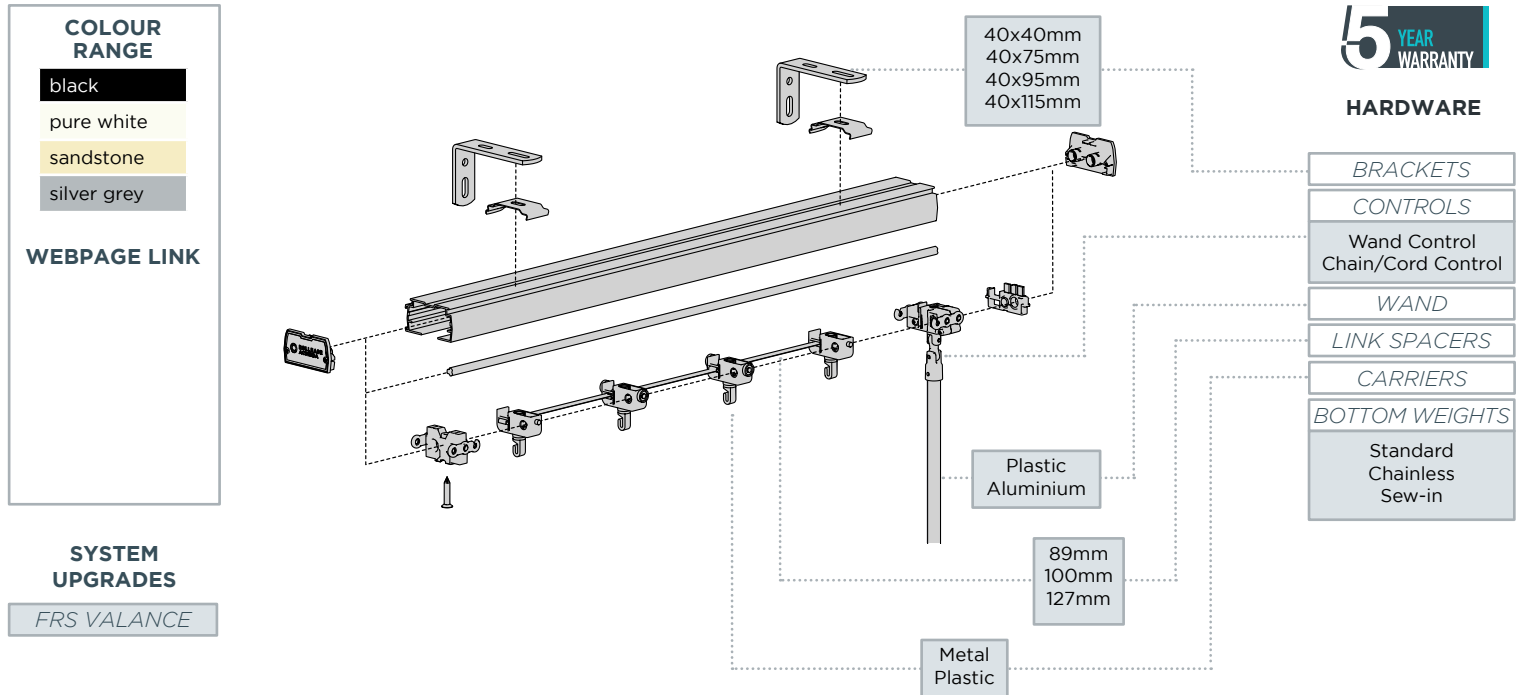


VERTICAL WAND CONTROL SYSTEM

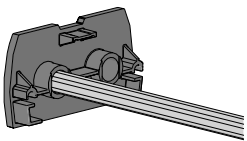
FEATURES & BENEFITS

- Versatile economical solution
- Easy and intuitive light control with rotation of slats
- Wand control accommodates for easy and frequent access to sliding doors.
- Significantly reduced assembly time and inventory per system
- Adjustable after assembly to refine system
- Vertical eBOM and Chart to calculate all items required in any sized system.



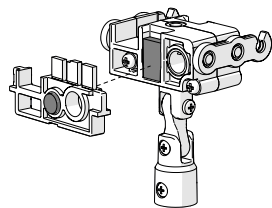
KEY SYSTEM FEATURES

ONE PIECE UNIVERSAL END CAP



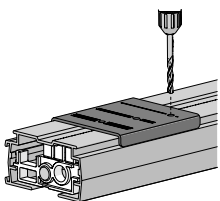
Designed with snap off shafts to allow further travel of Wand Control Unit as required.

RELIABLE TILTROD SUPPORT (PATENT PENDING)



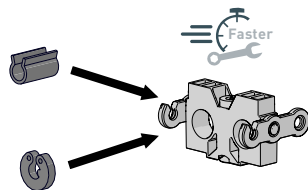
Updated design of Wand Control and Tiltrod Support, guaranteeing consistent collection and disengagement of up to 3 Tiltrod Supports.

TILTROD SUPPORT DRILL TEMPLATE



Provides accuracy in location of screws to stop Tiltrod Support in Head Rail.

FASTER ASSEMBLY



New End Cap and Carrier Stop provide faster efficient assembly.

CONFIGURATION OPTIONS



One way



Centre Draw



Centre Split



Sloped

DEDUCTIONS

