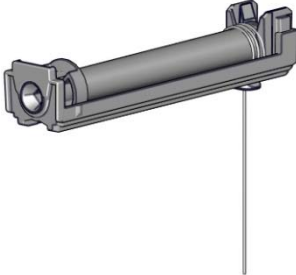


NEW PRODUCT | SS38 Slim Spool + 4m Cord

PRODUCT DETAILS	
DESCRIPTION.	SS38 Slim Spool (5mm Sq. Shaft) + 4m Cord
CODE.	SS38-8331-050069
PACK SIZE.	25 200 Sets
PRICE.	Refer relevant price list
COLOUR / FINISH.	Black spool with Pure White 1.0mm/16Ply cord
IMAGE.	
USE WITH.	SS38 Head rail

FEATURES & BENEFITS

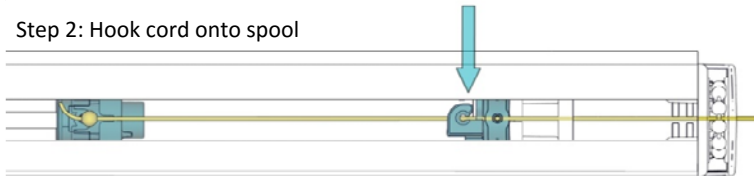
PRODUCTION / INSTALLATION FEATURES

- Integrated fixing clamps for quick assembly.
- Easy 2 step cord replacement.

Step 1: Tie knot and pull cord tight

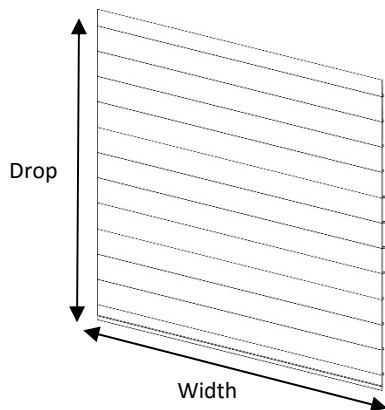


Step 2: Hook cord onto spool



FUNCTIONAL BENEFITS

- 30% reduced user effort
- Can achieve up to 4 meter widths & drops.



AESTHETIC FEATURES

- 1mm thin lifting cord for improved aesthetics on sheer romans.