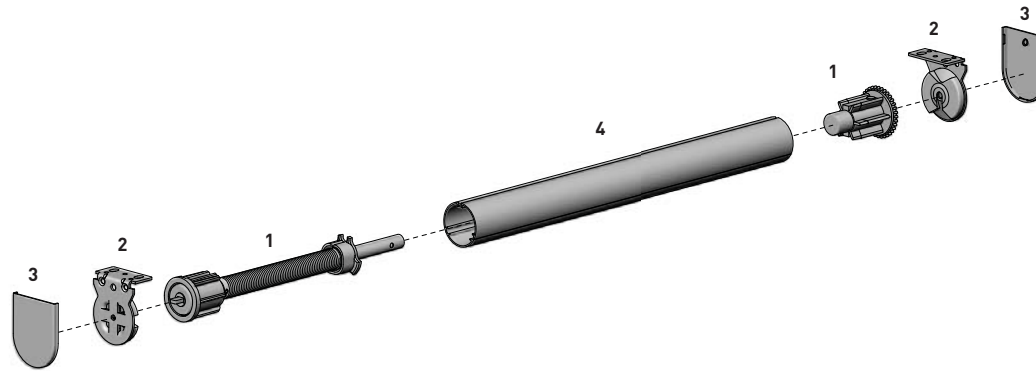


OVERVIEW: S35 SPRING SYSTEM INFORMATION

Acmeda Stop Springs provide a smooth and quiet operation with positional bearings used to ensure a stopping function, whilst the NO Stop Springs are designed without bearings to provide a constant pre-tensioned manual operation.

FEATURES/BENEFITS

- High quality plastic & metal
- Quiet operation
- Colour Coded Brackets & covers
- Easy Lock Idle End for simple installation



SYSTEM INDEX

| | |
|---|---------------------------------------|
| 1 | STOP / NO STOP Spring AC & Auto Idler |
| | STOP - RB01-300#-061000 |
| | NO STOP - RB02-300#-061000 |

| | |
|---|---|
| 2 | Easy-Lock VX Spring Installation Brackets |
| | RB01-8344-069030 |

| | |
|---|--------------------------|
| 3 | VX/LX Bracket Cover Caps |
| | RB08-4141-xxx030 |

| | |
|---|--------------------|
| 4 | S35 Aluminium Tube |
| | RB93-033#-000580 |

= size
xxx = colour

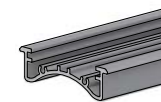
COLOUR RANGE



pure white

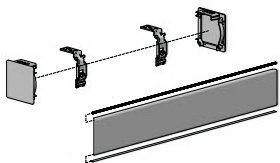
SYSTEM OPTIONS

MOUNTING RAIL

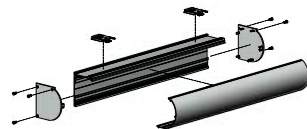


ADD ON SYSTEMS

FRS80/100 VALANCE SYSTEM

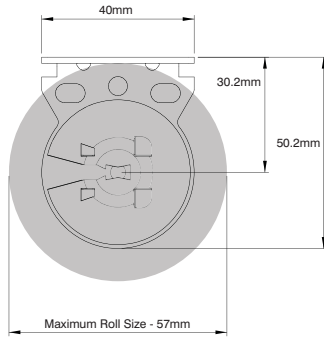


ROUND BOX 70

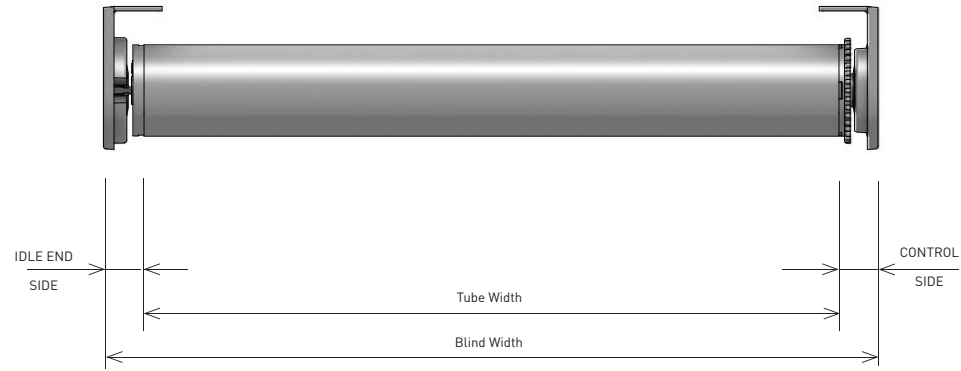


SPECIFICATIONS: S35 SPRING SYSTEM INFORMATION

MAX ROLL



DEDUCTIONS



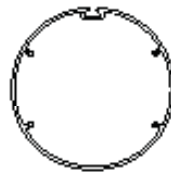
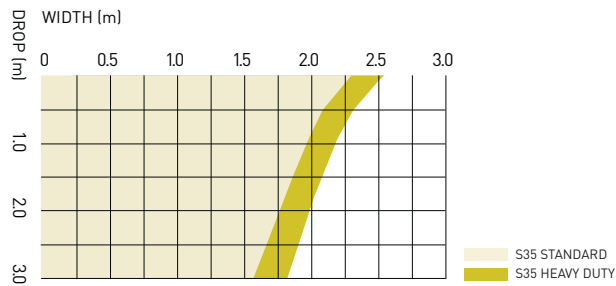
TUBE WIDTH = BLIND WIDTH - (Idle End + Control Side)

| SPRING | SIZE | LENGTH | MINIMUM BLIND WIDTH |
|--------------------|----------|--------|---------------------|
| STOP Spring S35 | Junior | 412mm | 497mm |
| | Standard | 552mm | 627mm |
| NO STOP Spring S35 | Junior | 412mm | 497mm |
| | Standard | 552mm | 627mm |

| | IDLE END SIDE | CONTROL SIDE | OVERALL DEDUCTION |
|-----------------------------------|----------------|----------------|-------------------|
| VX Brackets 30p - No Covers | 14.0mm (0.55") | 14.0mm (0.55") | 28.0mm (1.10") |
| VX Brackets 30p - with Cover Caps | 15.0mm (0.59") | 15.0mm (0.59") | 30.0mm (1.18") |

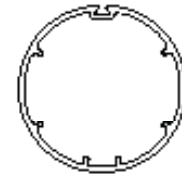
ALUMINIUM TUBES

TUBE CAPACITY CHART



S35 STANDARD
T-Spline Tube

CODE: RB93-0333-000580
RB93-6333-000580 (with D/S tape)
O.D: 33mm
Length: 5.8metres



T-Spline Tube

CODE: RB93-0335-000580
RB93-6335-000580 (with D/S tape)
O.D: 34mm
Length: 5.8metres