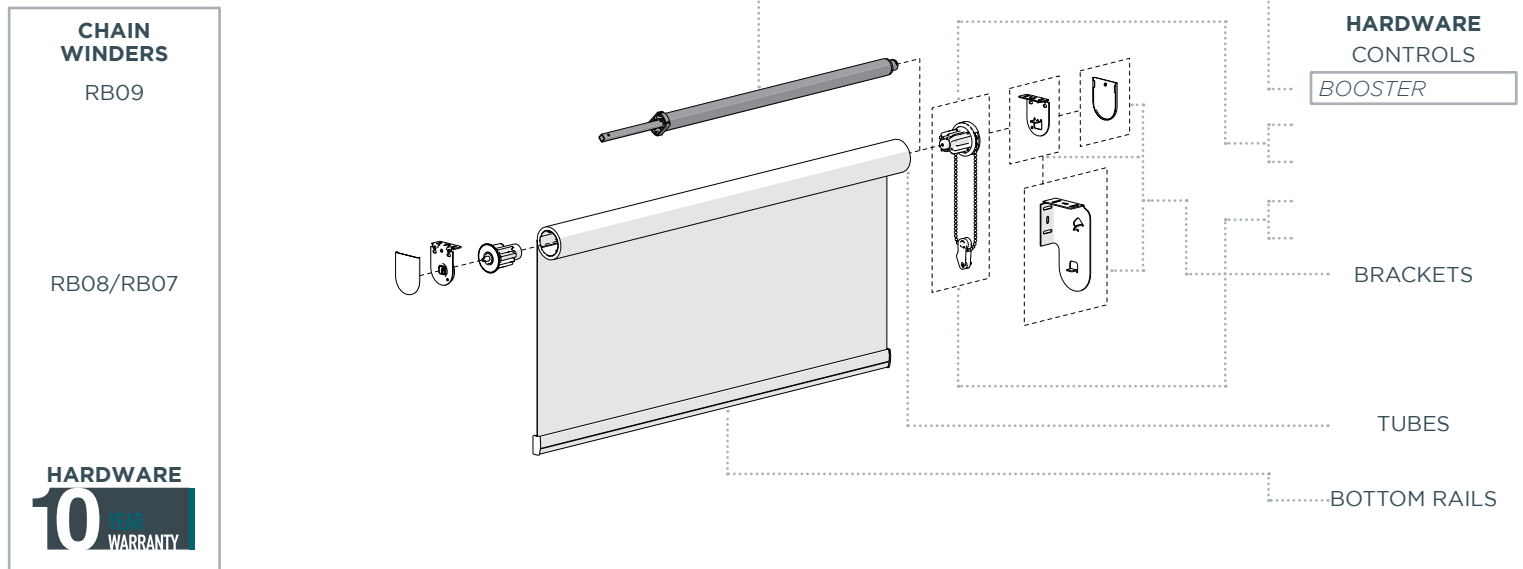


EASY-LIFT CHAIN BOOSTER

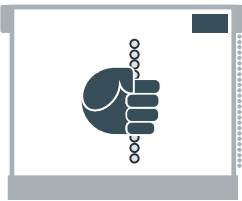
FEATURES & BENEFITS

- The industry leading RB09 snap-lock booster attachment enables quick fabrication.
- Chain Boosters compatible with RB07/RB08/RB09 chain winders.
- Decreases user effort by up to 60%.
- Control larger linked shades with minimal effort.
- Retro-fit an Easy Lift Chain Booster on-site to achieve a lighter lifting solution.
- Standard and Heavy Duty Springs available.

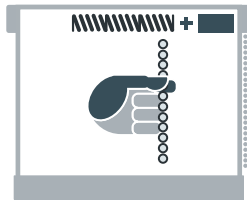


KEY SYSTEM FEATURES

SHADE FEELS UP TO 60% LIGHTER TO LIFT*



Chain winder.



Chain winder with Booster.

*Based on Rollease Acmeda's recommended user effort.

LARGER SHADES POSSIBLE

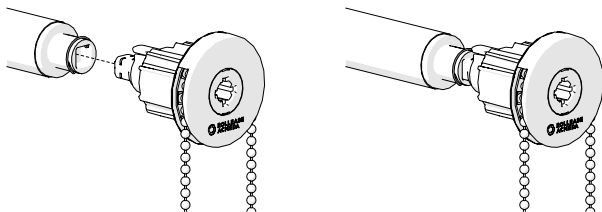


Chain winder ONLY.



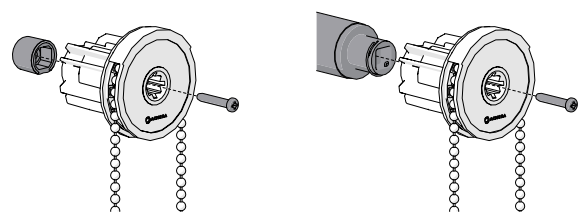
Chain winder with Booster.

RB09 SNAP-LOCK BOOSTER ASSEMBLY



Push components together to assemble.

RB07/RB08 BOOSTER ASSEMBLY



Remove cover and attach booster with chain winder screw.

SYSTEM UPGRADES

WIRE GUIDE

EASY-LINK

MOUNTING RAIL

FRS VALANCE

P95 PELMET

CF90