

EASY SPRING AIR

FEATURES & BENEFITS

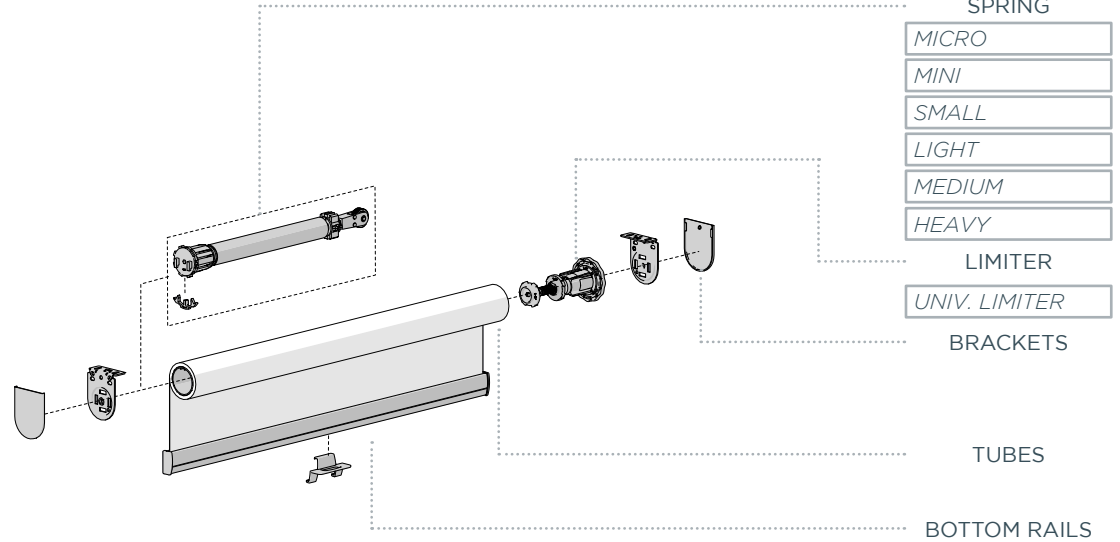
- A child-safe, chain-free shading solution.
- Intuitive operation, simply position the shade by raising or lowering the bottom rail.
- Fully adjustable spring ensures a perfectly balanced shade in every installation.
- Limiter prevents accidental pre-tension loss.
- Tension Lock securely retains pre-tension during transportation, reducing installation time.
- Can be made as narrow as 498mm, perfect for small window applications such as bathroom windows.
- The handle provides a clear visual cue for operating the shade and can also be used with a pull stick for hard-to-reach areas.



COLOUR RANGE
pure white

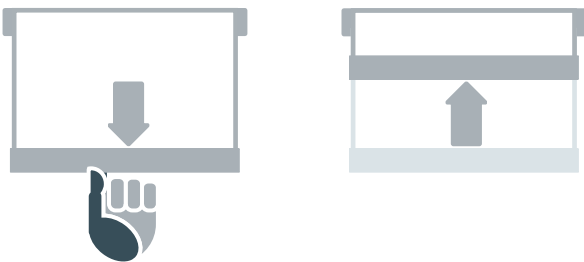
WEBPAGE LINK

HARDWARE
5 YEAR WARRANTY



KEY SYSTEM FEATURES

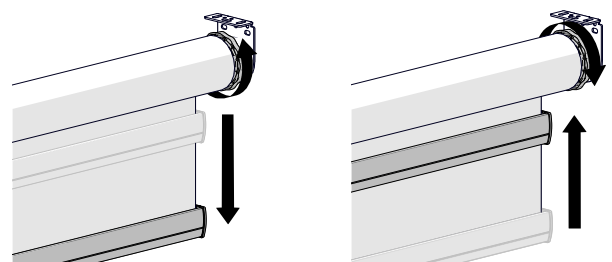
BALANCED SHADE



1. Pull Bottom Rail downwards and release at desired location.

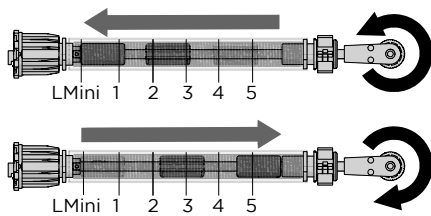
2. Raise Bottom Rail and release at desired location.

TOP LIMIT POSITION



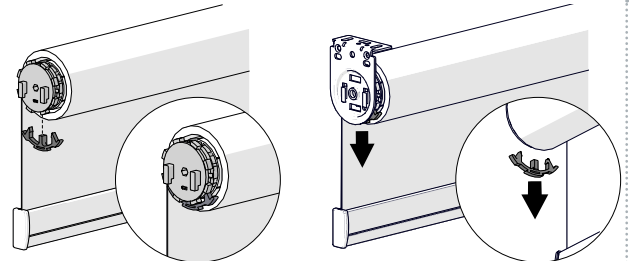
Rotate Limiter head to adjust the top limit position once installed.

ADJUSTABLE SPRING TENSION



Spring rate can be easily adjusted via the wheel to ensure a perfectly balanced shade is achieved.

TENSION LOCK FOR HANDLING



Attach Pre-Tension Retaining Clip during assembly.

Remove Pre-Tension Retaining Clip after installation.

SYSTEM UPGRADES

MOUNTING RAIL

FRS VALANCE

P95 PELMET

CF90

EASY SPRING AIR SPEC.

SYSTEM RECOMMENDATIONS

Follow system recommendations for optimal performance.

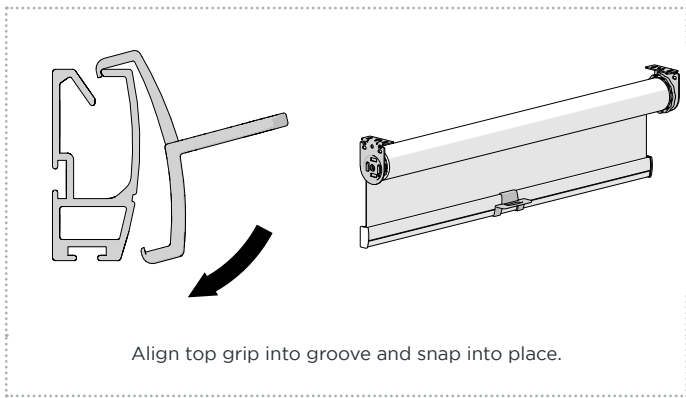
Please refer to the support documentation on the ESA product page to generate recommendations for spring selection, plug position and number of pre-turns for specific shade parameters.

Use the Roller Shade Calculator for configuring individual shades.

Use the ESA Chart Generator to generate a system chart for specific fabric, tube & bottom rail combinations.

Balanced systems perform optimally when the bottom rail weighs approximately 500g/m. Ensure the specific weight is used with the calculators.

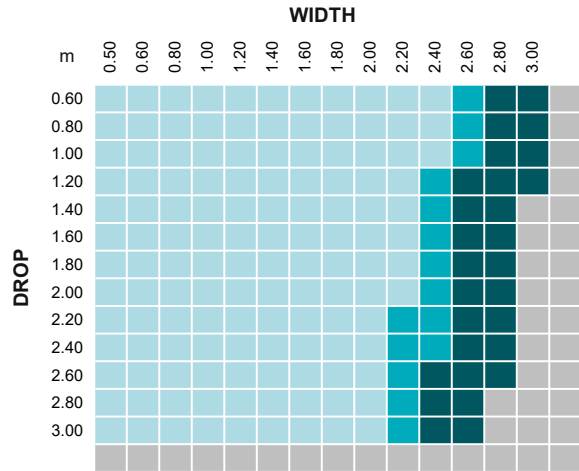
SNAP FIT HANDLE



Align top grip into groove and snap into place.

NOTE: Always operate the shade from the middle of the bottom rail.

SYSTEM CAPACITY

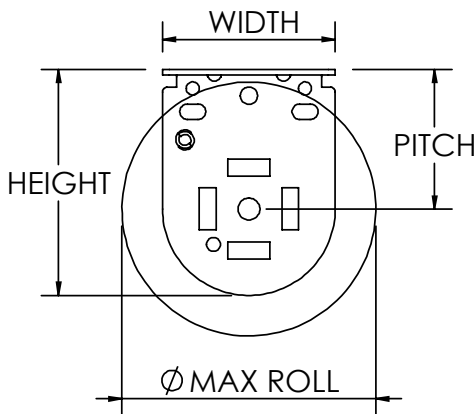


TUBE	PARAMETERS:
S45 LT	FABRIC DENSITY: 390gsm
S45 STD	FABRIC THICKNESS: 0.6mm
S45 HD	WEIGHT BAR: D30 + Ballast (500g/m)
OUTSIDE PRODUCT SPECIFICATION	

NOTE: Using alternative parameters will change the system capacity.

TECHNICAL DATA

SINGLE BRACKETS	SPECIFICATIONS			MAX ROLL
	PITCH	WIDTH	HEIGHT	
LX 40mm	40mm	50mm	65mm	75mm



SPRING SIZE	MINIMUM SHADE WIDTH*	TUBE DEDUCTION*
MICRO	498mm	32mm
MINI	498mm	
SMALL	700mm	
LIGHT	700mm	
MEDIUM	1010mm	
HEAVY	1110mm	

*Add +2mm for bracket covers.

TUBE WIDTH = SHADE WIDTH - [TUBE DEDUCTIONS]

Minimum Shade Width based on 5mm gap between hardware in tube.

