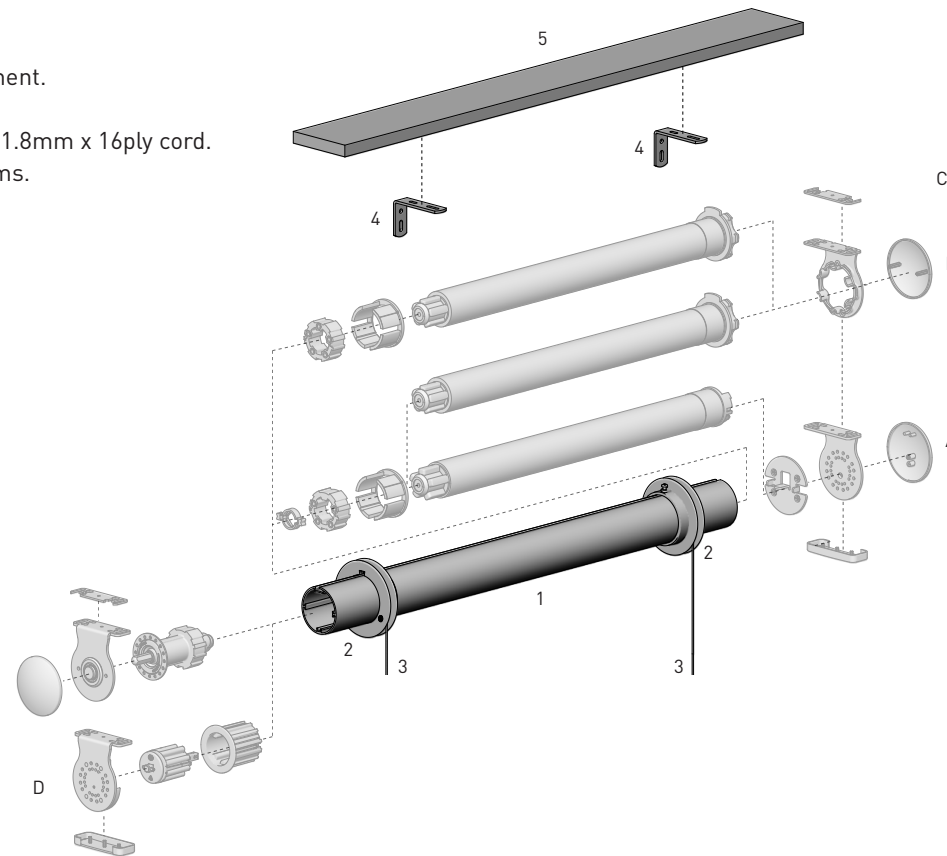


## OVERVIEW: ROLLER SPOOL SYSTEM DETAILS | S60

The Acmeda™ Roller Spool System brings together the features and benefits of a 50mm (2") motorised Roller Blind system providing a heavy duty motorised solution for Roman Shades.

## FEATURES/BENEFITS

- Compatible with S60 Motorised & Multi-Link systems.
- Heavy Duty solution for Roman Shades.
- Flame retardant compound.
- Distortion free molding ensuring lifting alignment.
- Braided Cord friendly.
- Unique attachment cavity for 7mm lift tape or 1.8mm x 16ply cord.
- Alternative application for Roman Blind systems.
- Maximum 8mt (31.40") drop capacity.



## SYSTEM INDEX

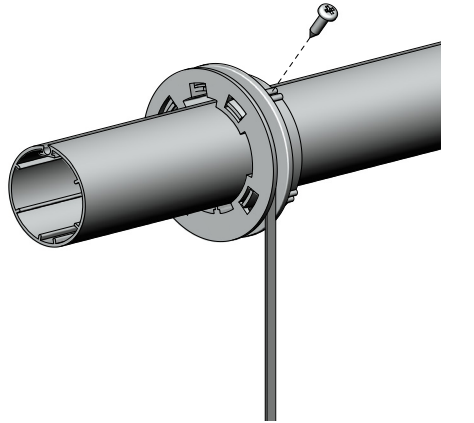
- |   |                          |
|---|--------------------------|
| 1 | Aluminium Tube • S60     |
| 2 | Roman Lift Spool • S60   |
| 3 | Braided Cord             |
| 4 | Installation Bracket     |
| 5 | Timber Head Board   90mm |

## SYSTEM INDEX

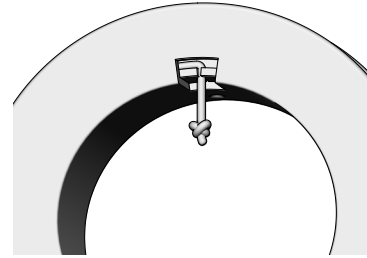
- |   |  |
|---|--|
| A | M50 MOTORSIED SYSTEM - Round Head S60                      |
| B | M50 MOTORSIED SYSTEM - Star Head S60                       |
| C | M50 MOTORSIED SYSTEM - Star Head<br>- SOMFY SONESSE 50 S60 |
| D | RB10 IDLE END SYSTEM S60                                   |

FIXING INSTALLATION GUIDES

Attaching spool to aluminium tube



Attaching tape to spool



Cord in tightened position

