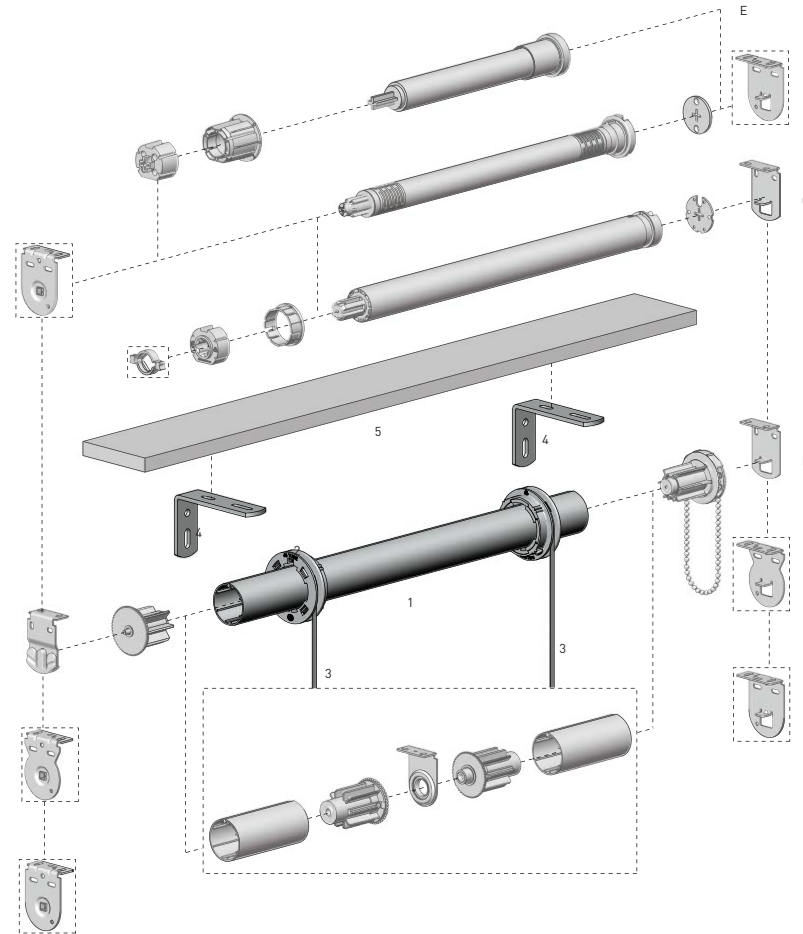


OVERVIEW: ROLLER SPOOL SYSTEM DETAILS | S45

The Acmeda™ Roller Spool System brings together the features and benefits of a motorised or chain operated Roller Blind system resulting in an alternative solution for Roman Shades.

FEATURES/BENEFITS

- Compatible with Easy-Lock & Easy-Link™ S45 chain control or motorised systems.
- Alternative application for roman blind systems.
- Provides a simple lifting process.
- Simple manufacturing process.
- Durable compounds enabling lifting alignment.
- Flame retardant compound.
- 6.0mm (0.236") Woven Lift Tape friendly.
- Unique easy to use attachment cavity.
- Maximum drop capacity is 5.5mts (216.53").



SYSTEM INDEX

- | | |
|---|--------------------------|
| 1 | Aluminium Tube S45 |
| 2 | Roman Lift Spool |
| 3 | Woven Lift Tape |
| 4 | Installation Bracket |
| 5 | Timber Head Board 60mm |

SYSTEM INDEX

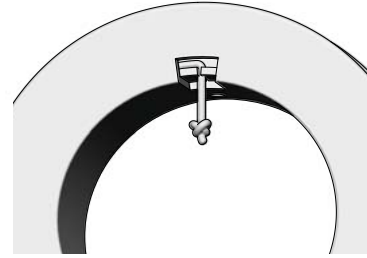
- | | |
|---|---|
| A | EASY-LINK™ SYSTEM S45 |
| B | EASY-LOCK CHAIN WINDER SYSTEM S45 |
| C | 40mm MOTORISED SYSTEM S45 |
| D | SONESSE® 30 MOTORISED SYSTEM
- SOMFY S45 |
| E | ROLL UP WIREFREE™ MOTORISED SYSTEM
- SOMFY S45 |

FIXING INSTALLATION GUIDES

Attaching spool to aluminium tube



Attaching tape to spool



Tape in tightened position

