

z-LOCK SKYLIGHT | Box 120

The z-LOCK Skylight system offers a refined solution for light block out in any horizontal or sloped windows. Using secure zip locking channels, the system achieves perfect tension of fabric in all directions during operation and while stationary. Electronically operated, it's the ultimate system for energy saving throughout buildings, adaptable for both commercial and domestic applications.

AESTHETICAL FEATURES

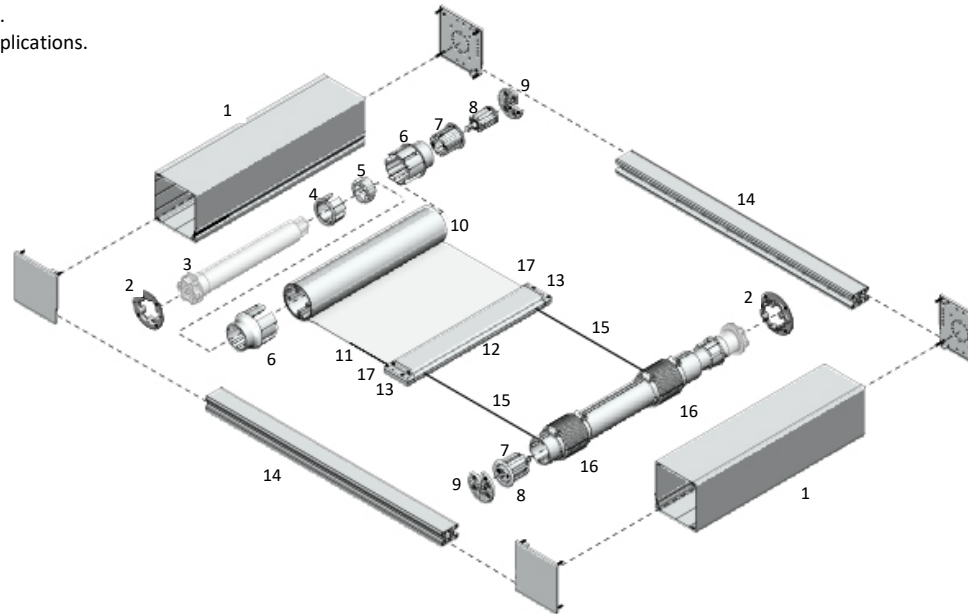
- Contemporary square architectural design.
- Custom colour matching achievable.

PRODUCTION / ASSEMBLY FEATURES

- Removable front and back covers for ease of maintenance and assembly.
- Zip reducers designed to accommodate zip build up preventing fabric ripples.

FUNCTIONAL BENEFITS

- Further enhances energy conservation compared to a standard roller blind.
- Uses S60 components for large applications.
- Versatile system for horizontal or angled applications.



SYSTEM INDEX

1	Box Square 120 Top/Cover/Back / End Plates & covers
2	M50 Star Head Motor Adaptor S60 RB56-0752-025050
3	M50 Motor [non acmeda item]
4	M50 Crown Wheel S60 RB56-0236-050501
5	M50 Drive Wheel S60 RB56-0105-050501
6	Zip Tube Reducer SB11-0815-050#80
7	RB10 Tube Adaptor S60 RB10-6000-xxx0#0
8	RB10 Bearing Idler S60 RB10-6200-xxx001
9	RB10 Bearing Idler Adapter S60 RB10-6400-xxx001
10	Aluminium Tube - S60 RB91-02#0-000580
11	z-LOCK Zip No. 4 Gauge SH91-0106-xxx400
12	F72 Weight Bar RE15-0112-xxxLLL
13	F72 Multi-Bar End Cap RE15-0512-xxx000
14	z-LOCK Standard Side Guide SB04-1501-xxx580
14b	z-LOCK side guide K rail Cover SB05-0351-xxx580
14c	z-LOCK Inner rail SB05-0333-050580
15	Wire Guide Tensioning Cable RB91-3602-006024
16	Wire Guide Drum Set SB11-6001-05000x
17	F72 Multi Cord Guide Set RE15-0532-060000

xxx = colour ### = size LLL = length

SYSTEM OPTION

MOTOR - SPRING

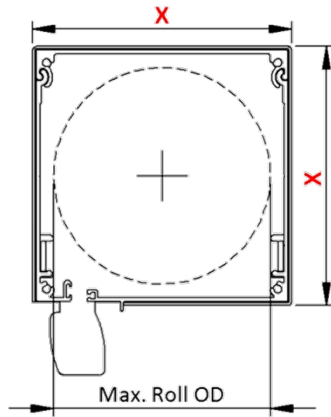


COLOUR RANGE



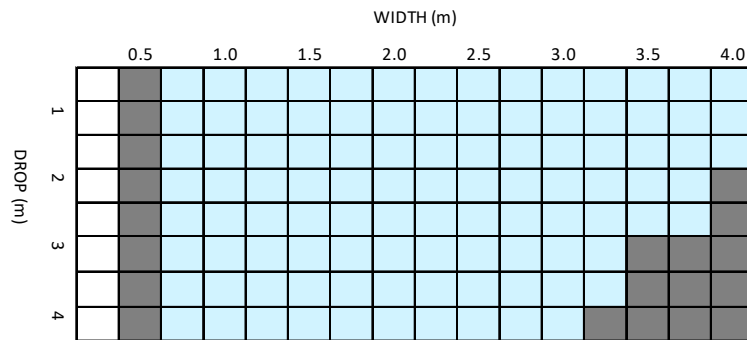
SPECIFICATIONS

MAX ROLL



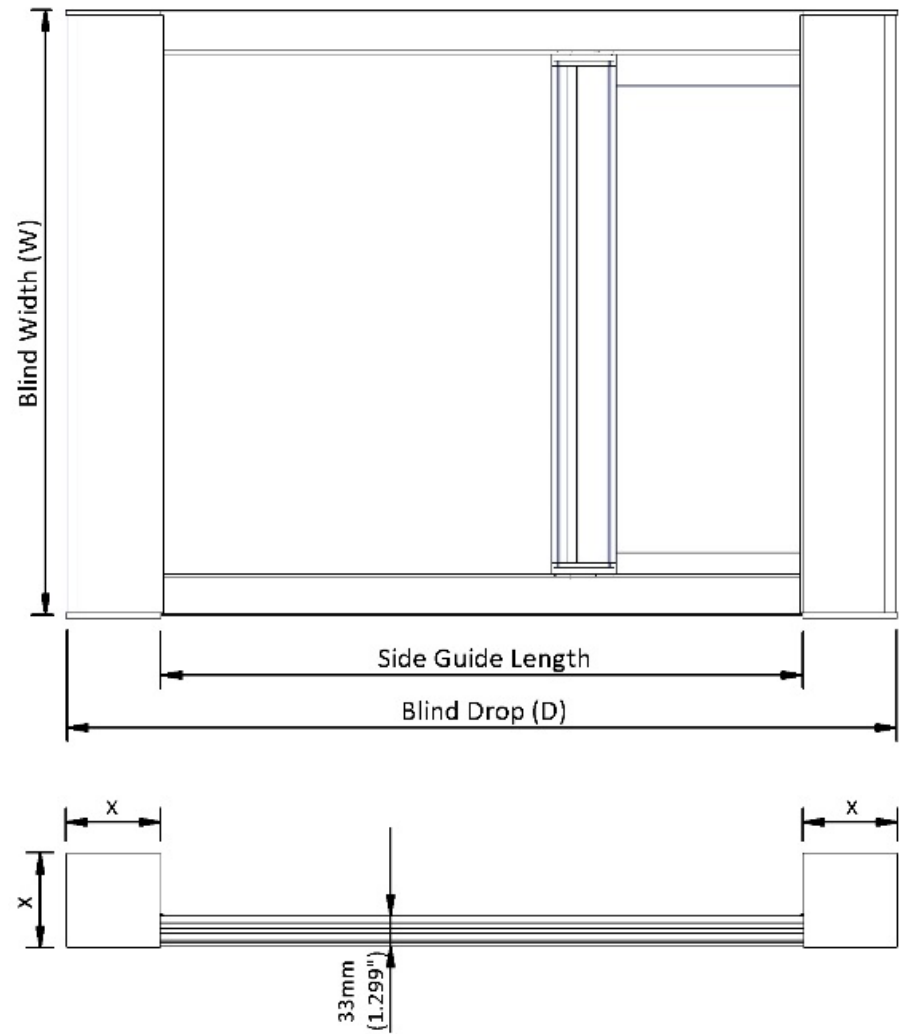
Box	X	Max. Roll OD	Max. Drop
120mm	123mm	107mm	4000mm

SYSTEM CAPACITY



LEGEND	DESCRIPTION
	BOX 120 CAPACITY
	N/A

DEDUCTION



*Refer to Product Specifications Manual for further details