



MEDIUM ROLLER BLIND

ASSEMBLY MANUAL

v1.1 | April 2024



CONTENTS

SECTION A TOOLS	3	SECTION F TRANSPORTATION CHECKLIST	20
SECTION B SYSTEM DETAILS	4	CHAIN SYSTEM - SINGLE SHADE	20
SYSTEM SCHEMATICS	4	CHAIN SYSTEM - DUAL SHADES	20
SYSTEM CAPACITY CHARTS	6	MOTORISED SYSTEM - SINGLE SHADE.....	20
HARDWARE SUMMARY	7	MOTORISED SYSTEM - DUAL SHADES.....	20
DEDUCTIONS & MINIMUM SHADE WIDTH.....	8		
BOTTOM RAIL SPECIFICATIONS.....	9		
MOUNTING & IDLER SPECIFICATIONS	10		
EASY-LOCK BRACKET SPECIFICATIONS	10		
SECTION C SUB-ASSEMBLIES	11		
FABRIC PREPARATION	11		
TUBE & BOTTOM RAIL ASSEMBLY	11		
RB09 DIRECT CHAIN WINDER WITH GUIDE	12		
RB09 FIXED GUIDE TO SWIVEL GUIDE.....	12		
CHAIN ASSEMBLY	13		
RB09 WITH CHAIN GUIDE ASSEMBLY	13		
SPRING BOOSTER ASSEMBLY	14		
MOTOR ASSEMBLY	15		
SECTION D SHADE ASSEMBLY	16		
TUBE ENGAGEMENT WITH HARDWARE	16		
RETRO-FIT BOOSTER PRE-TURNS.....	17		
ADJUST PRETURNS.....	18		
SECTION E HD BRACKET ADAPTER	19		
HD BRACKET ADAPTOR ASSEMBLY	19		

DISCLAIMER

INTRODUCTION

This Assembly manual has been produced by Rollease Acmeda to supply the necessary information for the safe and correct assembly of Medium Roller Blinds.

DISCLAIMER

Rollease Acmeda has used reasonable care in preparing the information included in this document, but makes no representations or warranties as to the completeness or accuracy of the information. Information is supplied upon the condition that the persons receiving the information will make their own determination as to its suitability for their purposes prior to use. Rollease Acmeda assumes no liability whatsoever for any damages incurred by you resulting from errors in or omissions from the information included herein. Rollease Acmeda reserves the right to make changes without further notice to any products to improve reliability, function or design.

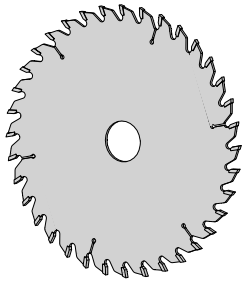
COPYRIGHT

COPYRIGHT © ROLLEASE ACMEDA

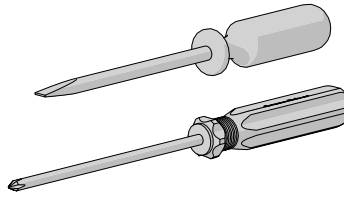
All rights are reserved. No part of this document may be reproduced or utilised in any means, by any means, electronic or mechanical including photocopying, recordings, or by any information storage or retrieval system, without the express permission from Rollease Acmeda.

TOOLS REQUIRED

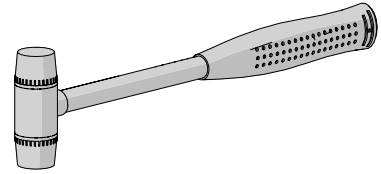
Cutting Blade



Screw Driver



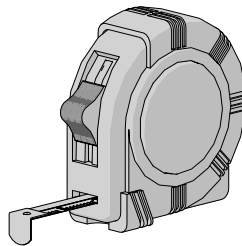
Mallet



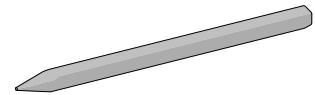
Scissors



Measuring Tape

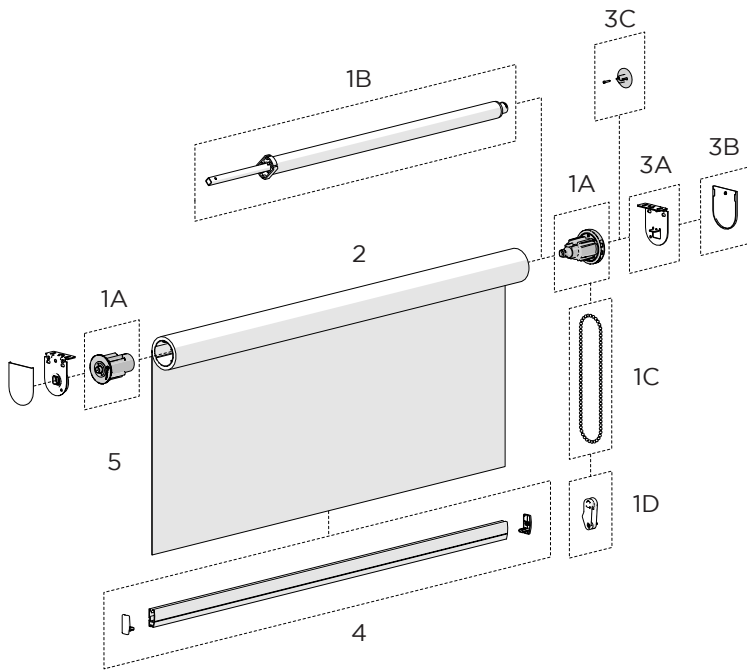


Pencil



SYSTEM SCHEMATICS

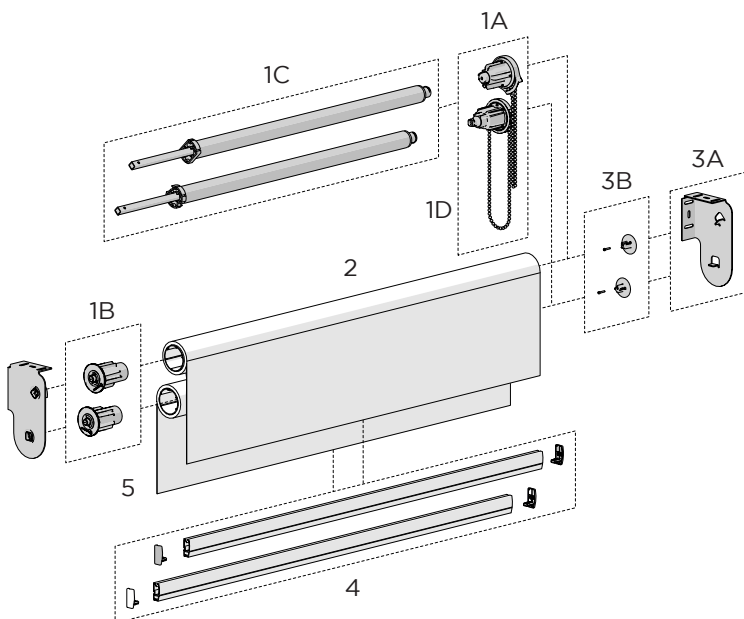
SINGLE CHAIN WINDER - GENERAL SCHEMATIC



SYSTEM INDEX:

- 1. CONTROL:**
 - A - Chainwinder + Idler
 - B - Spring Booster
 - C - Chain
 - D - Child Safety Device
- 2. ALUMINIUM TUBE:**
 - S40/S45
- 3. BRACKETS:**
 - A - Bracket
 - B - Bracket Cover
 - C - HD Adaptor (optional)
- 4. BOTTOM RAIL**
- 5. FABRIC**

DUAL CHAIN WINDER - GENERAL SCHEMATIC

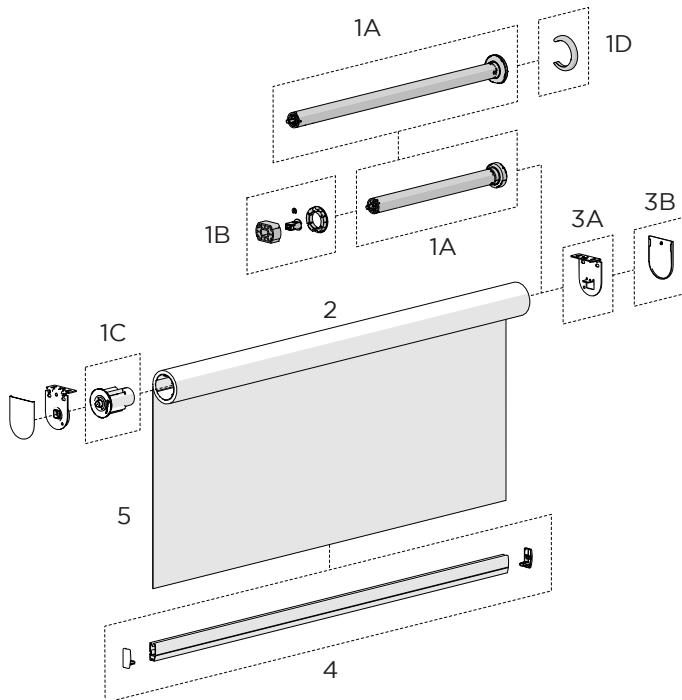


SYSTEM INDEX:

- 1. CONTROL:**
 - A - Chainwinder
 - B - Idler
 - C - Spring Booster
 - D - Chain
 - E - Child Safety Device (not shown)
- 2. ALUMINIUM TUBE:**
 - S40/S45
- 3. BRACKETS:**
 - A - Dual Shade Bracket
 - B - HD Adaptor
- 4. BOTTOM RAIL**
- 5. FABRIC**

SYSTEM SCHEMATICS

SINGLE AUTOMATE MOTORS - GENERAL SCHEMATIC



SYSTEM INDEX:

1. CONTROL:

- A - Motor: Li-ion/DC/AC
- B - Crown & Drive Kit
- C - Idler: RB09/RB08
- D - Accessories: ZERO Motor Cap

2. ALUMINIUM TUBE:

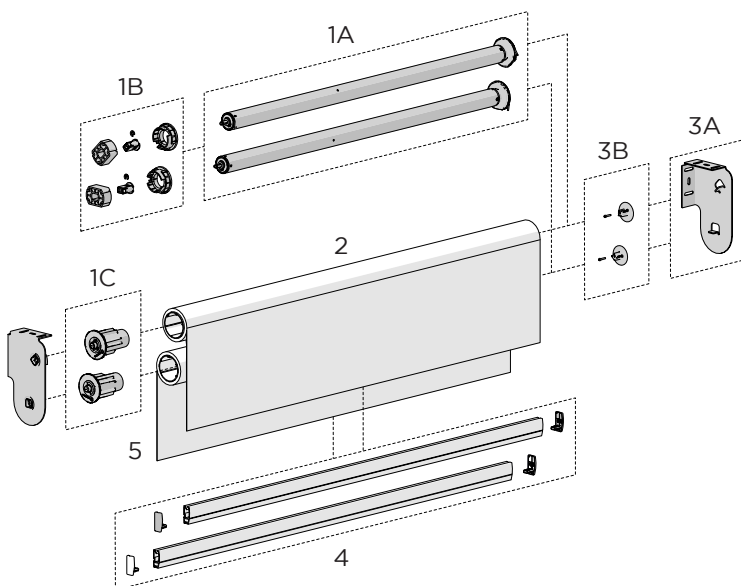
- S40/S45

3. BRACKETS:

- A - Bracket
- B - Bracket Cover

4. BOTTOM RAIL**5. FABRIC**

DUAL AUTOMATE MOTORS - GENERAL SCHEMATIC



SYSTEM INDEX:

1. CONTROL:

- A - Motor: ZERO/DC/AC
- B - Crown & Drive Kit
- C - Idler: RB09/RB08

2. ALUMINIUM TUBE:

- S40/S45

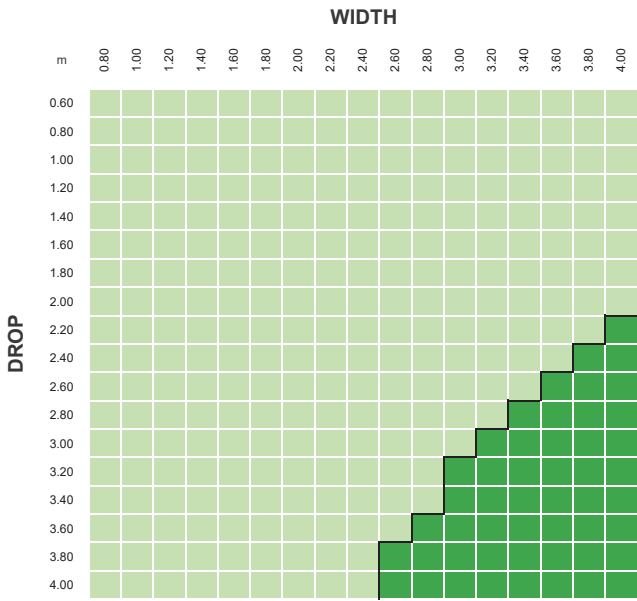
3. BRACKETS:

- A - Dual Shade Bracket
- B - HD Adaptor

4. BOTTOM RAIL**5. FABRIC**

SYSTEM CAPACITY CHARTS

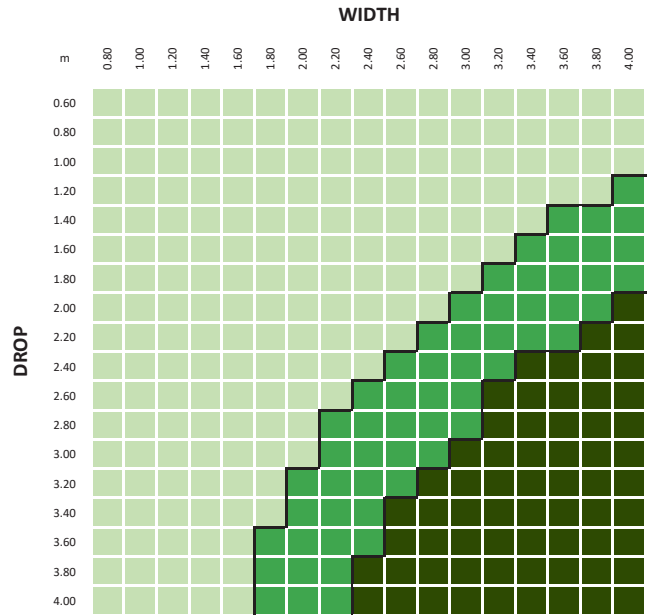
MOTOR CONTROL CAPACITY



MOTOR	Color
1.1Nm	Light Green
2.0Nm 3.0Nm 6.0Nm	Dark Green

PARAMETERS:
 FABRIC DENSITY: 390gsm
 FABRIC THICKNESS: 0.6mm
 WEIGHT BAR: D30 Bottom Rail
 TUBE DEFLECTION: 1.05mm/m

RB07/08/09 CONTROL CAPACITY



BOOSTER	TYPE
OPTIONAL	STD/HD
RECOMMENDED	STD/HD
REQUIRED	STD/HD

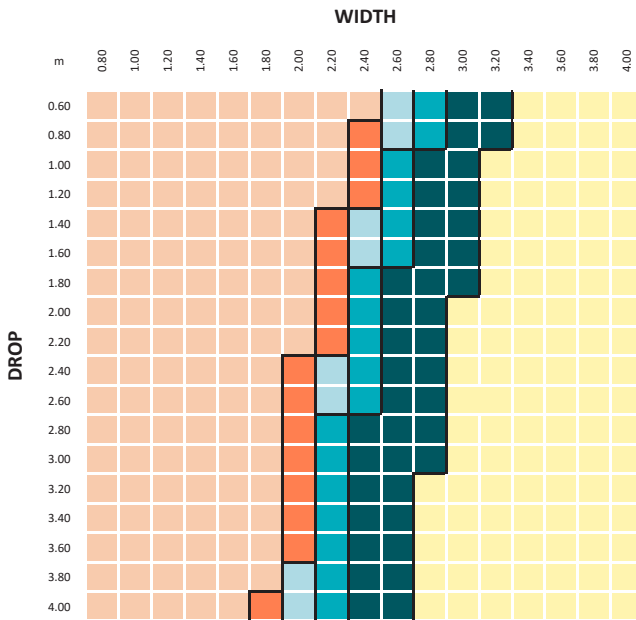
PARAMETERS:
 FABRIC DENSITY: 390gsm
 FABRIC THICKNESS: 0.6mm
 WEIGHT BAR: D30 Bottom Rail
 TUBE DEFLECTION: 1.05mm/m

REQUIRED:
 Booster is required to ensure system functionality, as the shade weight is above the control holding capacity.

RECOMMENDED:
 Booster is recommended to ensure the user effort is in a comfortable range.

OPTIONAL:
 User effort is comfortable without a booster.

TUBE CAPACITY



TUBES	Color	RB08
S40 STANDARD	Light Orange	
S40 HEAVY DUTY	Dark Orange	
S45 LIGHT	Light Blue	
S45 STANDARD	Dark Blue	
S45 HEAVY DUTY	Yellow	
LINKED		Yellow

PARAMETERS:
 FABRIC DENSITY: 390gsm
 FABRIC THICKNESS: 0.6mm
 WEIGHT BAR: D30 Bottom Rail
 TUBE DEFLECTION: 1.05mm/m

HOLDING CAPACITY

CONTROL	COMPATIBLE TUBES				
	S40 STD	S40 HD	S45 LT	S45 STD	S45 HD
CHAIN	5.2kg	5.1kg	4.7kg	4.6kg	4.2kg
+ STD BOOSTER	10.0kg	9.8kg	9.1kg	8.9kg	8.0kg
+ HD BOOSTER	14.8kg	14.4kg	13.3kg	13.1kg	11.8kg
1.1Nm	5.8kg	-	5.2kg	5.1kg	4.6kg
2.0Nm	-	-	9.4kg	9.2kg	8.3kg
3.0Nm	-	-	14.1kg	13.9kg	12.5kg
6.0Nm	-	-	28.3kg	27.7kg	25.0kg



NOTE

Shades installed at maximum holding capacity will require excessive user effort to operate.

HARDWARE SUMMARY

CONTROLS	S40 TUBES			S45 TUBES		
	STANDARD	STANDARD 39-SPLINE	HEAVY DUTY 39-SPLINE	LIGHT	STANDARD	HEAVY DUTY
RB07/08	✓	✓	✓	✓	✓	✓
RB09				✓	✓	✓
1.1NM	✓			✓	✓	✓
2.0NM				✓	✓	✓
3.0NM				✓	✓	✓
6.0NM				✓	✓	✓

SINGLE BRACKETS	PITCH [mm]	MAX ROLL SIZE [mm]	BRACKET COVERS	BRACKET WIDTH [mm]	BRACKET HEIGHT [mm]	WINDER			MOTOR			IDLER	
						RB07 RB08	RB09	1.1, 2.0 5V	1.1, 2.0, 3.0 12V	E6 & M6	RB08	RB09	
AX	40	75	✓	40	60	✓		✓	✓	✓*	✓		
	55	105			75	✓		✓	✓	✓*	✓		
VX	40	75	✓	50	65	✓		✓	✓	✓*	✓		
LX	40	75	✓	50	65	✓	✓	✓	✓	✓*	✓	✓	
	55	105			80	✓	✓	✓	✓	✓*	✓	✓	
M40 LX	40	75	✓	50	65				✓	✓	✓	✓	
	55	105			80				✓	✓	✓	✓	✓

*REQUIRES HD BRACKET ADAPTOR

DOUBLE BRACKETS	MAX ROLL SIZE (X2)	WINDER		MOTOR			IDLER		SAME SIDE CONTROL
		RB07/ RB08	RB09	1.1 & 2.0 5V	1.1, 2.0, 3.0	E6 & M6	RB07/ RB08	RB09	
SLIM PROFILE TOP FRONT	70mm	✓	✓	✓	✓	✓*	✓	✓	✓
SLIM PROFILE TOP BACK	70mm	✓	✓	✓	✓	✓*	✓	✓	✓
SQUARE-X	70mm	✓	✓	✓	✓	✓*	✓	✓	
SLIMLINE-X	65mm	✓	✓	✓	✓	✓*	✓	✓	✓

*REQUIRES HD BRACKET ADAPTOR

BOTTOM RAILS	WEIGHT g/m	COMPATIBILITY									
		8.7mm FLAT SPLINE	9mm FLAT SPLINE	10mm FLAT SPLINE	15mm FLAT SPLINE	FEEDING FUNNELS	BALLAST	FABRIC BRUSH	BUBBLE SEAL	DIM OUT	WIRE GUIDE END CAPS
F4115 HD	558				✓		✓	✓	✓	✓	✓
D30 SILENT	306				✓	✓	✓	✓	✓	✓	✓
OVAL	284			✓	✓	✓	✓				
ROUND	266			✓	✓		✓				
FLAT	241			✓		✓	✓		✓	✓	
FABRIC WRAP	459	✓	✓				✓				

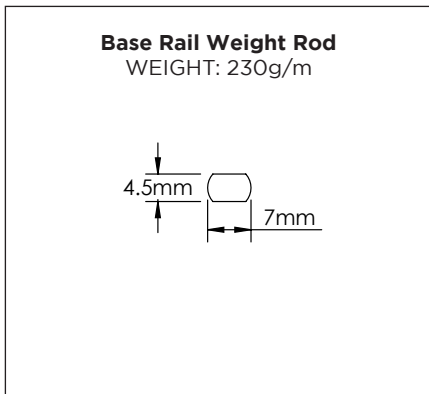
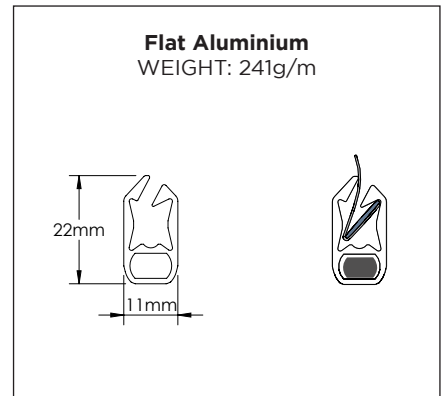
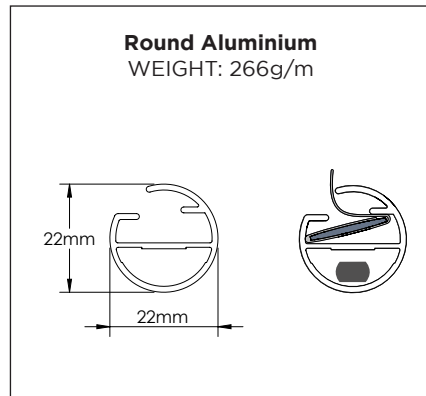
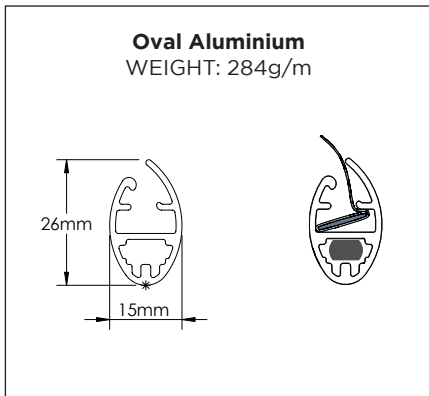
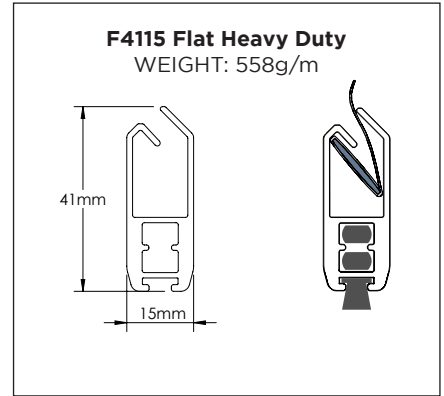
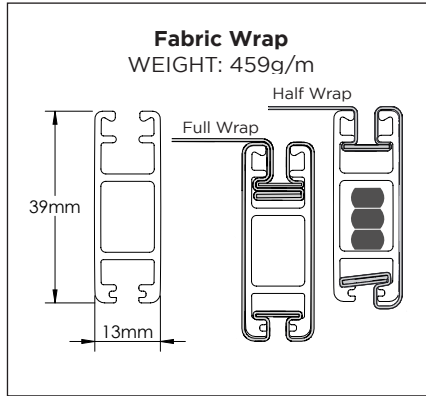
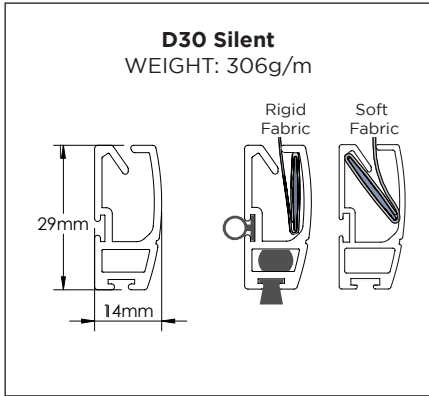
DEDUCTIONS & MINIMUM SHADE WIDTH

 **NOTE**

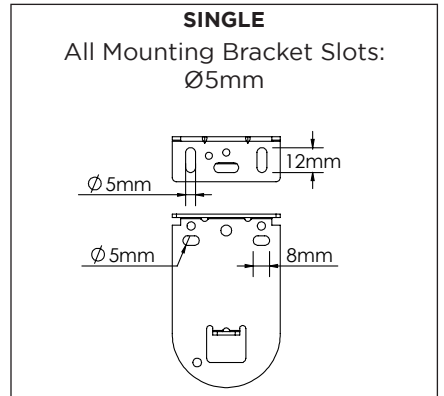
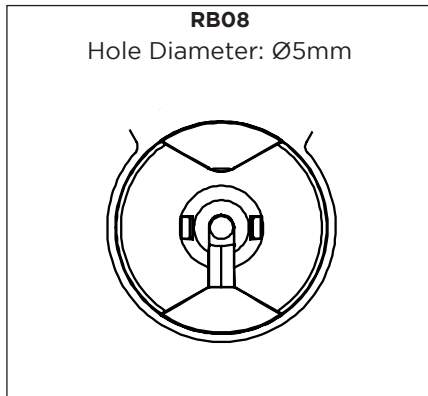
RB08/RB09/MOTORISED	Minimum Shade Width based on 5mm gap between hardware in tube.
FABRIC WIDTH	It is recommended to cut the fabric 1mm less than the tube length.

MINIMUM SHADE WIDTH		TUBE DEDUCTION	
CONTROL	IDLER*	WITH BRACKET COVERS	NO BRACKET COVERS
	RB08 MKII / RB09		
RB08	140mm	31mm	28mm
+ STD BOOSTER	798mm		
+ HD BOOSTER	923mm		
RB09	150mm	29mm	26mm
+ STD BOOSTER	817mm		
+ HD BOOSTER	937mm		
Zero Li-ion 1.1 Short	569mm	27mm**	25mm
Zero Li-ion 1.1	642mm		
Zero Li-ion 2.0	739mm		
Zero DC 1.1	432mm	27mm**	25mm
Zero DC 2.0	576mm		
E6	674mm	31mm	29mm
M6	567mm	32mm	30mm
<i>*Subtract 14mm if using RB08 MKI Idler.</i>		<i>**Add +1mm to deductions for Motor Cap.</i>	

BOTTOM RAIL SPECIFICATIONS

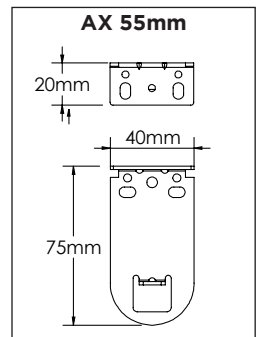
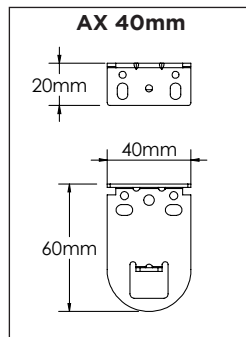
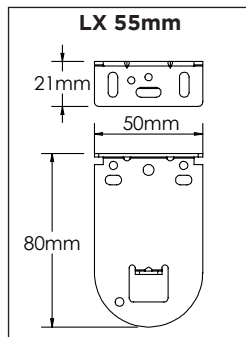
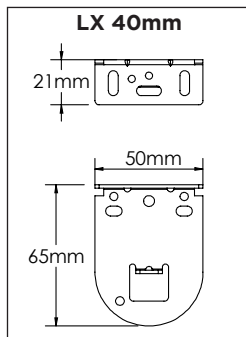
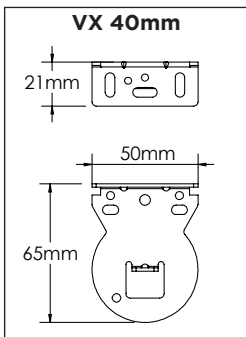


MOUNTING & IDLER SPECIFICATIONS

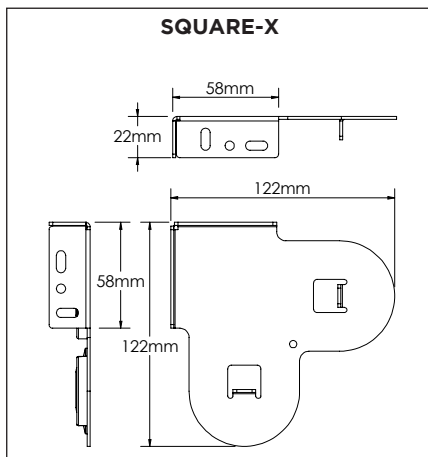
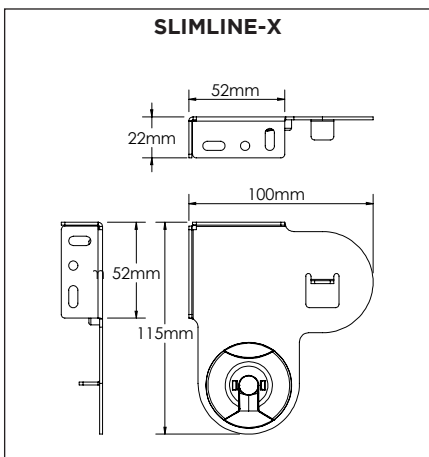
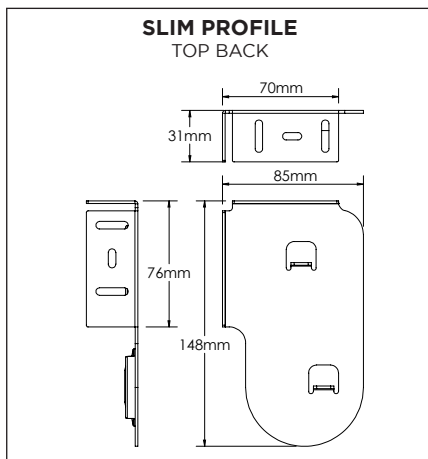
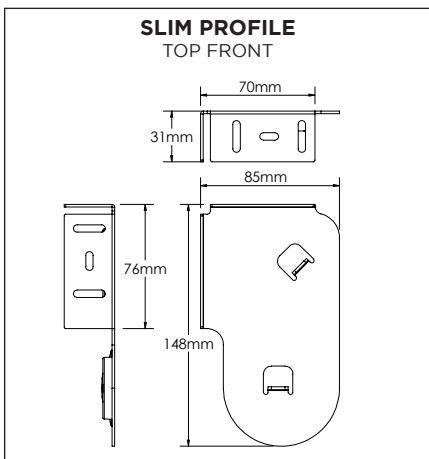


EASY-LOCK BRACKET SPECIFICATIONS

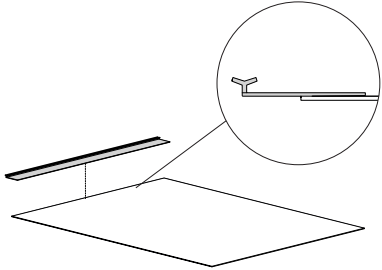

SINGLE BRACKETS



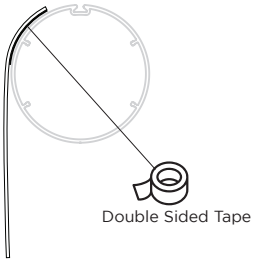
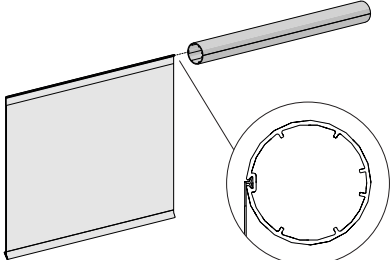
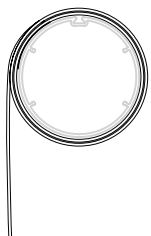
DOUBLE BRACKETS



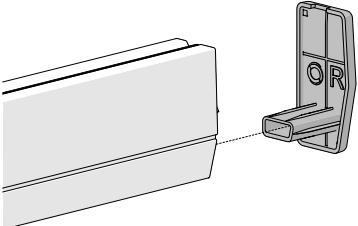
FABRIC PREPARATION

<p>Optional</p> <p>1a Attach and secure T-Spline for tube</p>  <div style="border: 1px solid black; padding: 5px; margin-top: 10px;"> <p>NOTE</p> <p>T-Spline is not needed if double sided tape is used</p> </div>	<p>1b Secure spline for weightbar</p>  <div style="border: 1px solid black; padding: 5px; margin-top: 10px;"> <p>NOTE</p> <p>Use staples when using one wrap on the spline</p> </div>
---	---

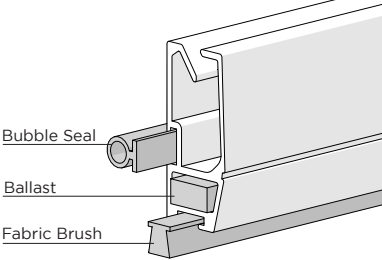
TUBE & BOTTOM RAIL ASSEMBLY

<p>1a Attach fabric onto tube if using double sided tape</p> 	<p>1b Slide fabric into tube when using T-Spline</p> 	<div style="border: 1px solid black; padding: 5px; margin-bottom: 5px;"> <p>NOTE</p> </div>  <div style="border: 1px solid black; padding: 5px;"> <p>Minimum 1 full wrap of fabric on the tube</p> </div>
--	---	--

2 Attach one end cap

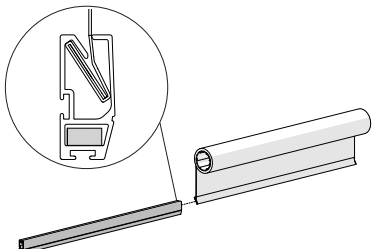


3 Add accessories



Bubble Seal
Ballast
Fabric Brush

4 Slide bottom rail onto fabric spline

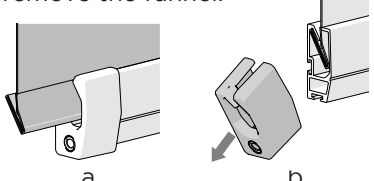


Optional

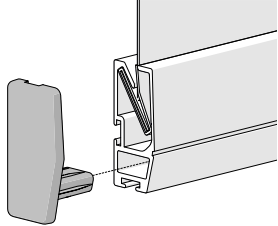
4a Only for D30, Flat & Oval:

a. Attach fabric using the fabric feeding funnel.

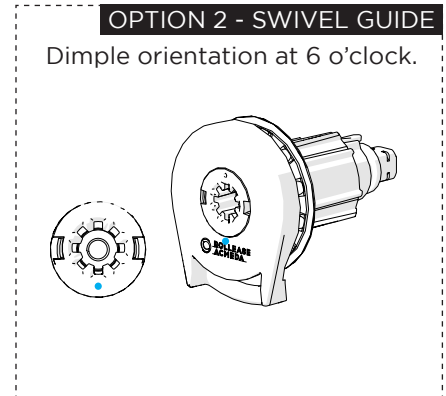
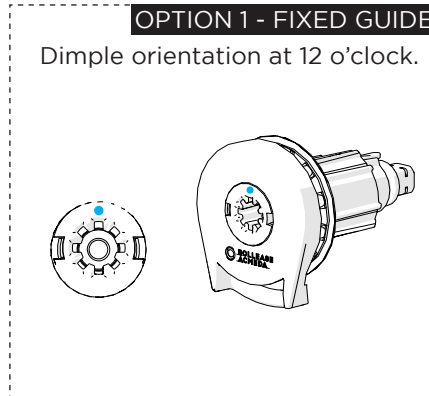
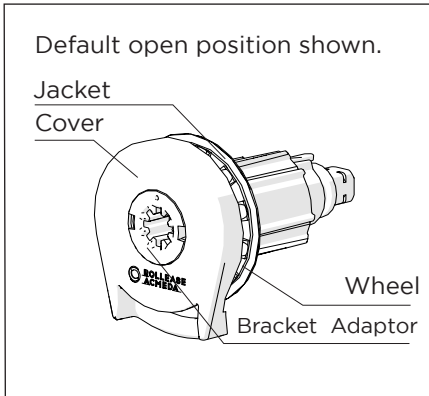
b. Once fabric is attached, remove the funnel.



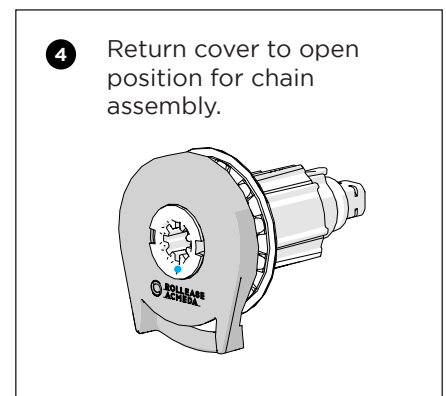
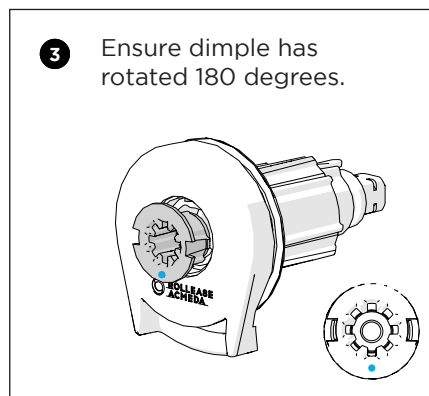
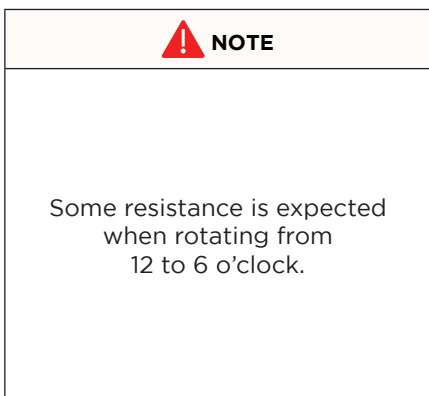
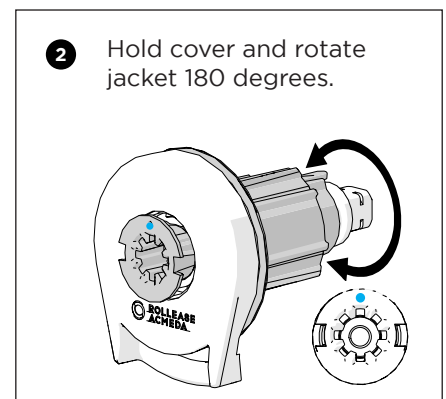
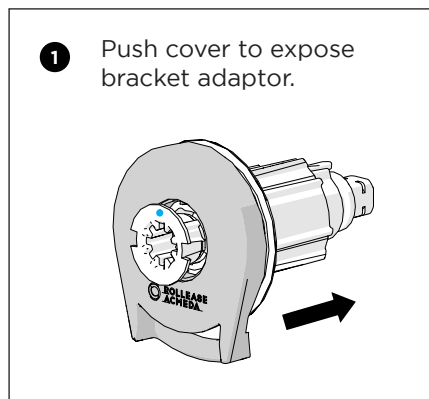
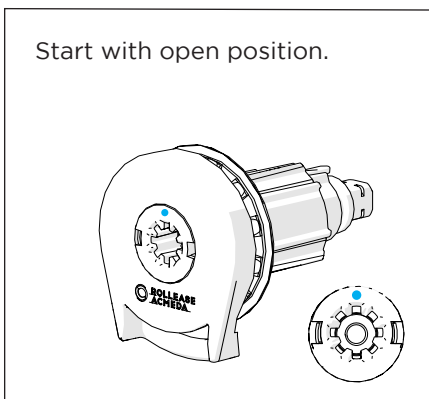
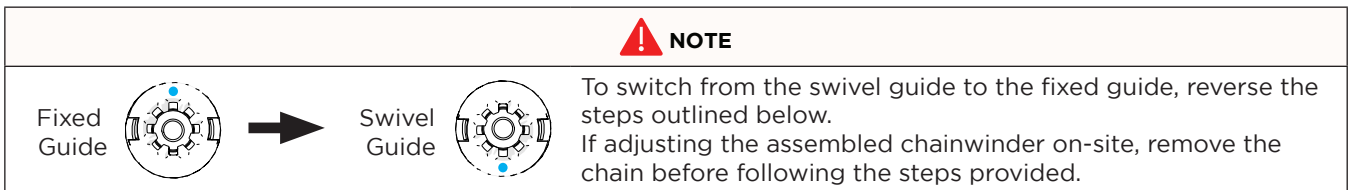
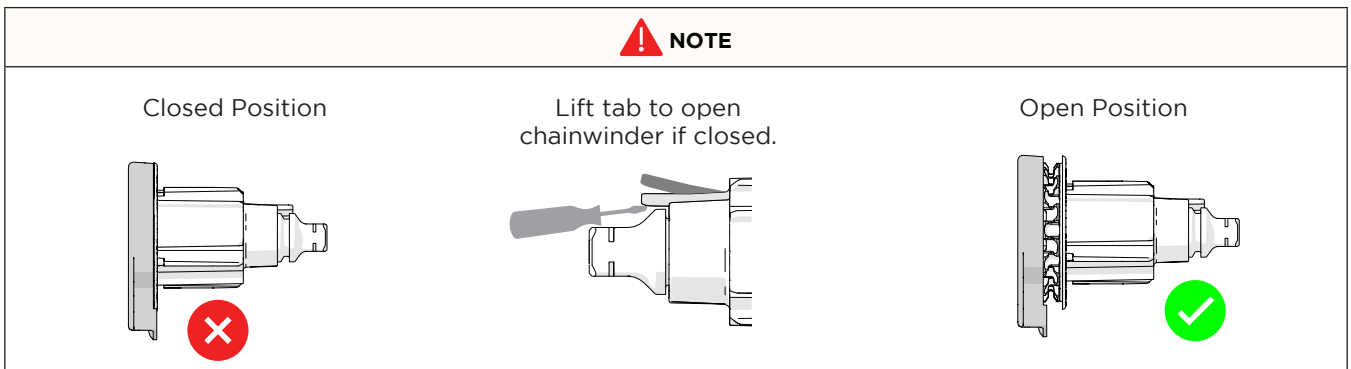
5 Attach remaining end cap



RB09 DIRECT CHAIN WINDER WITH GUIDE



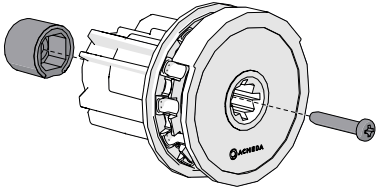
RB09 FIXED GUIDE TO SWIVEL GUIDE



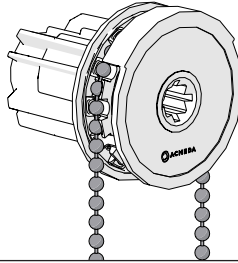
CHAIN ASSEMBLY

RB08

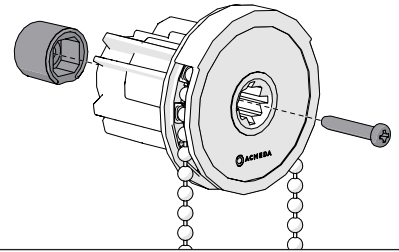
- 1 Undo fastener to open chain cover.



- 2 Wrap chain around wheel.

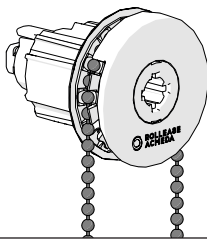


- 3 Reassemble chainwinder with chain and fastener.

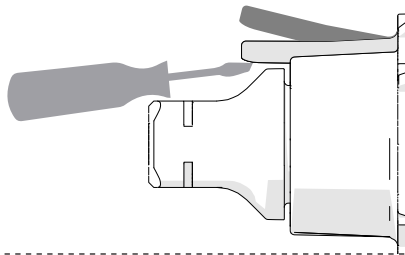


RB09

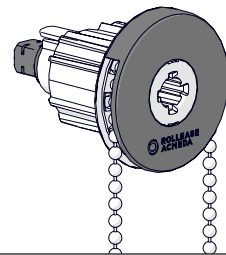
- 1 Insert chain into open chainwinder.



- Optional
Lift tab to open chainwinder if closed.

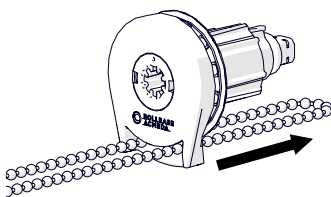


- 2 Snap cover into position.

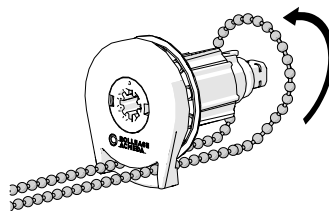


RB09 WITH CHAIN GUIDE ASSEMBLY

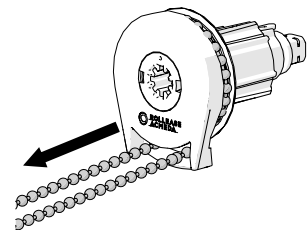
- 1 Insert chain into open Chainwinder.



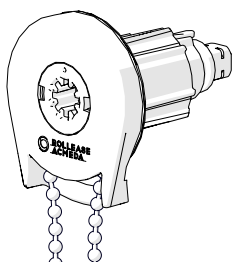
- 2 Wrap chain around wheel.



- 3 Pull through excess chain.



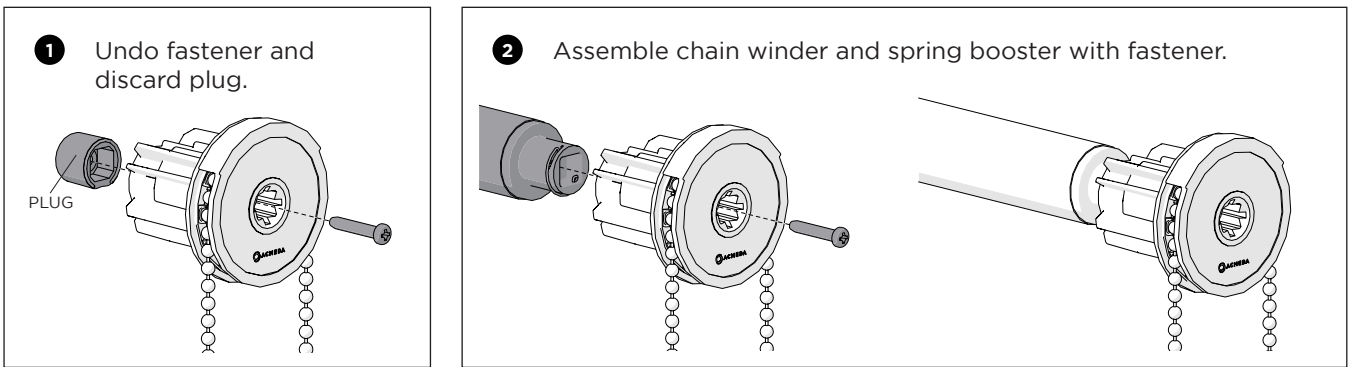
- 4 Snap cover into position.



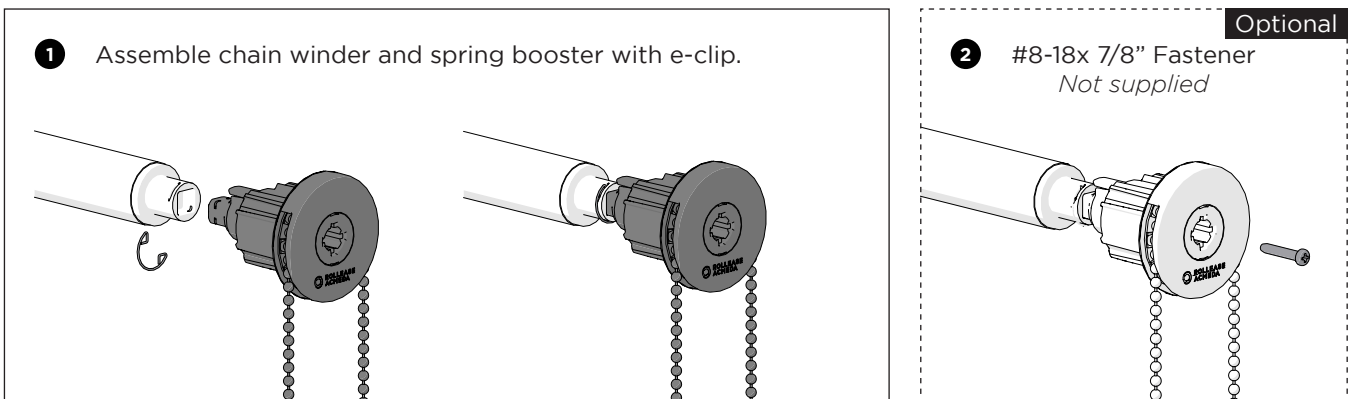
SPRING BOOSTER ASSEMBLY

SHADE CONTROL	FABRIC BACK ROLL	FABRIC FRONT ROLL	BOOSTER	COLOUR
Right	Right Hand Booster	Left Hand Booster	Right Hand Spring	White (STD) / Grey (HD)
Left	Left Hand Booster	Right Hand Booster	Left Hand Spring	Yellow (STD) / Blue (HD)

RB08

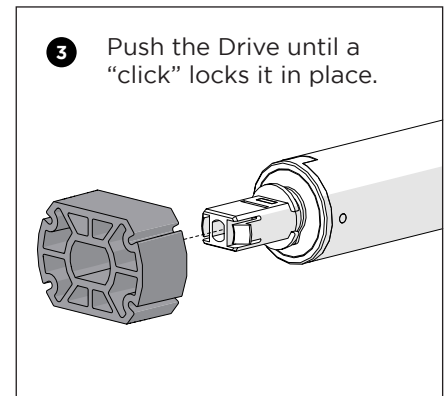
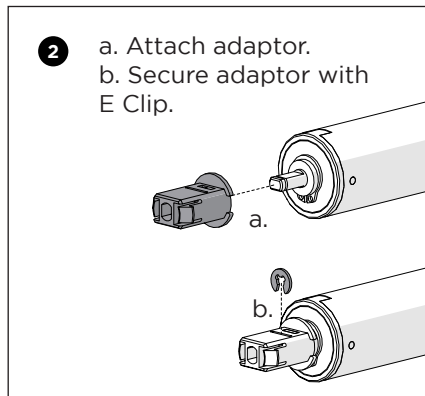
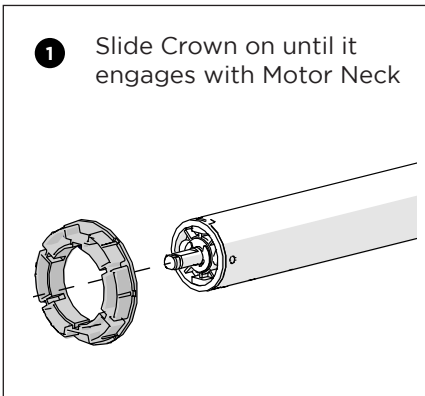


RB09

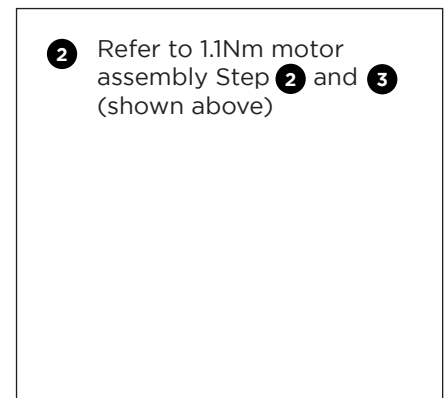
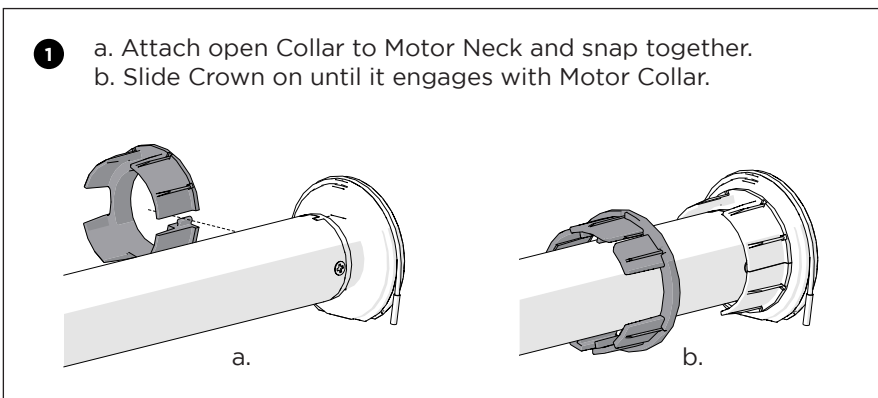


MOTOR ASSEMBLY

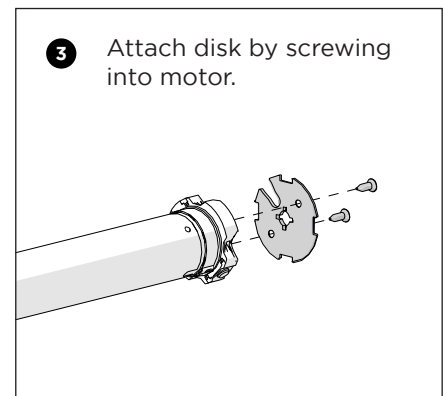
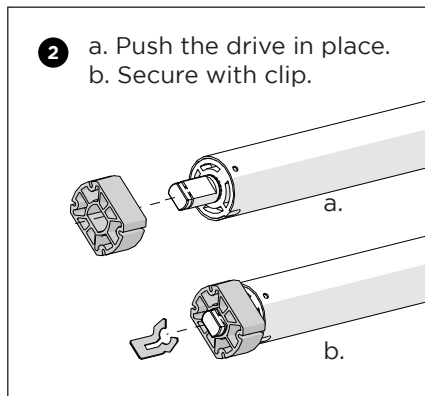
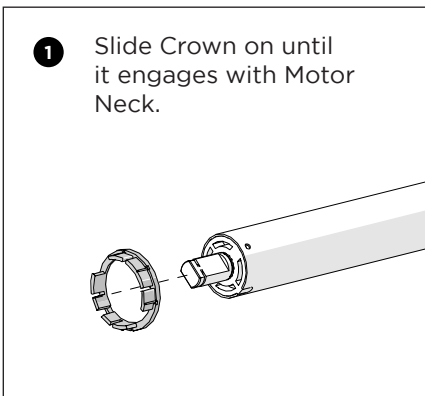
1.1 Nm 25mm S45 Kit



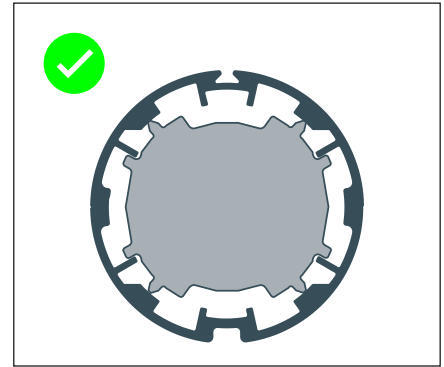
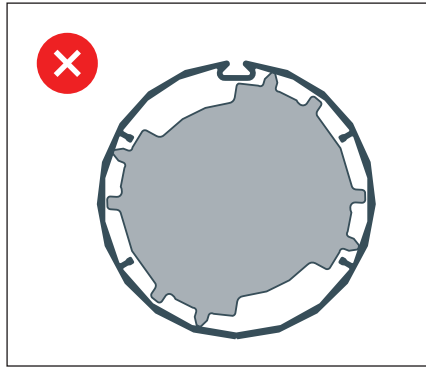
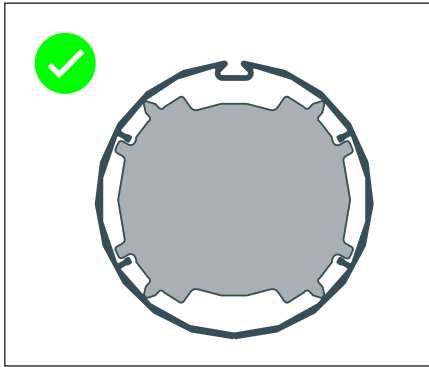
2.0 Nm 28mm S45 Kit



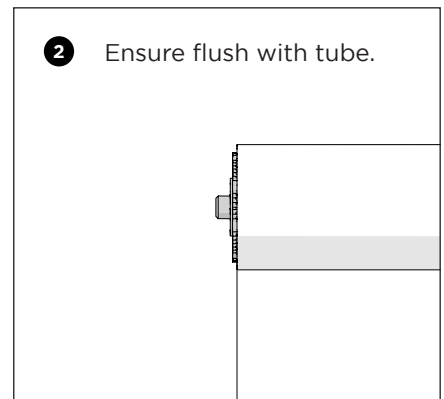
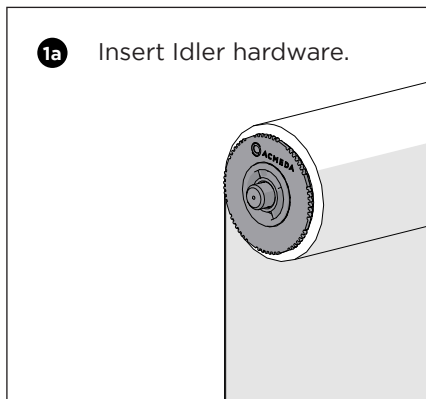
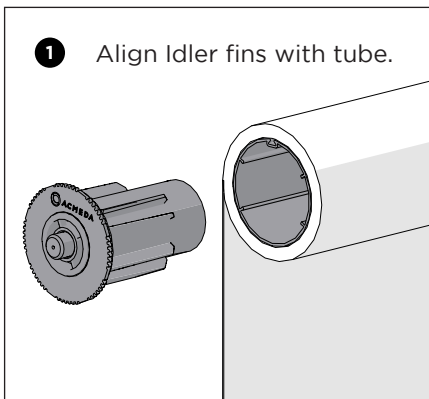
3.0 - 6.0Nm 35mm S45 Kit



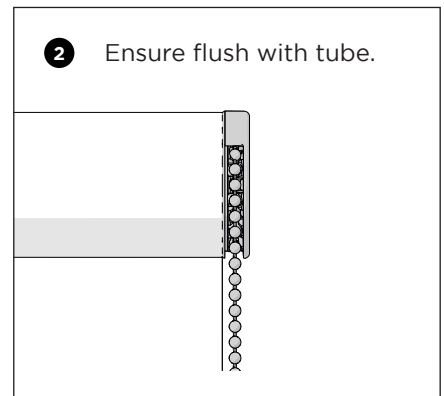
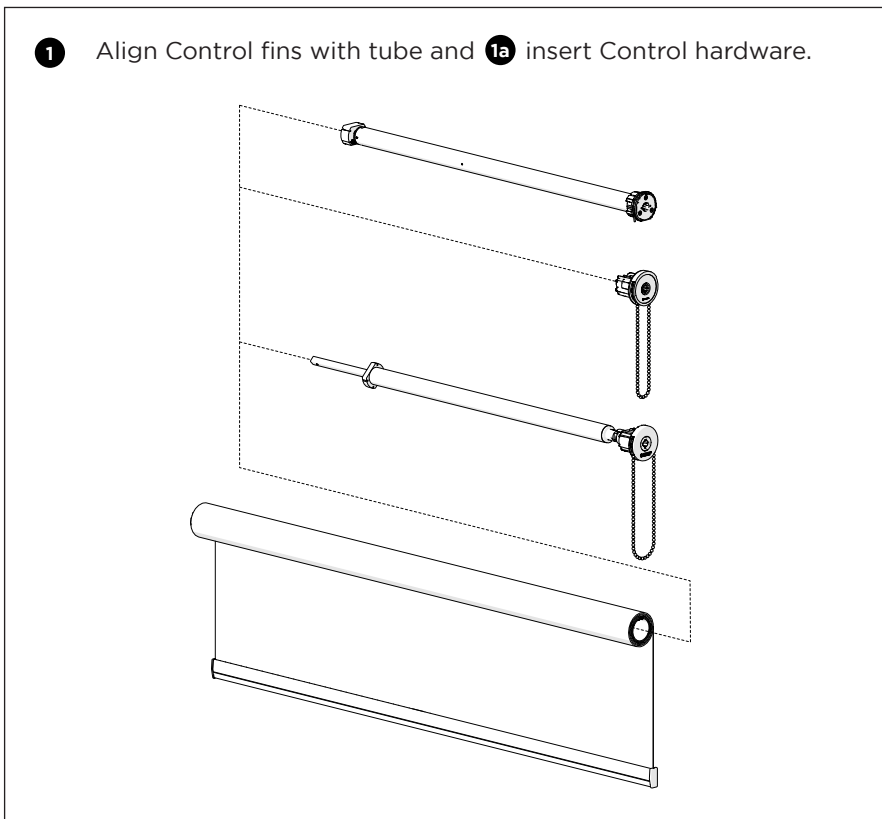
TUBE ENGAGEMENT WITH HARDWARE



IDLER INSTALLATION



CONTROL INSTALLATION



RETRO-FIT BOOSTER | PRE-TURNS



NOTE

These charts are guidelines only - **adjust pre-turns as required during installation.**
 The number in the cell represents the number of pre-turns required for each shade size.

S40

		WIDTH									
		# TUBE TURNS	0.80	1.20	1.60	2.00	2.40	2.80	3.20	3.60	4.00
DROP	0.80	6	3	4	5	7	8	9	11	5	6
	1.20	9	3	4	6	7	8	10	11	5	6
	1.60	11	3	4	6	7	9	10	5	6	6
	2.00	13	3	5	6	8	9	11	5	6	7
	2.40	16	3	5	7	8	10	11	6	6	7
	2.80	18	3	5	7	9	10	5	6	7	7
	3.20	20	4	5	7	9	11	5	6	7	8
	3.60	22	4	6	7	9	11	6	6	7	8
	4.00	24	4	6	8	10	11	6	7	7	8

S45

		WIDTH									
		# TUBE TURNS	0.80	1.20	1.60	2.00	2.40	2.80	3.20	3.60	4.00
DROP	0.80	5	3	4	6	7	8	4	5	5	6
	1.20	8	3	4	6	7	9	4	5	6	6
	1.60	10	3	5	6	8	9	5	5	6	7
	2.00	12	3	5	7	8	10	5	6	6	7
	2.40	15	3	5	7	9	4	5	6	6	7
	2.80	17	4	5	7	9	5	5	6	7	8
	3.20	18	4	6	7	9	5	6	6	7	8
	3.60	20	4	6	8	10	5	6	7	7	8
	4.00	22	4	6	8	10	5	6	7	8	8

S60

		WIDTH									
		# TUBE TURNS	0.80	1.20	1.60	2.00	2.40	2.80	3.20	3.60	4.00
DROP	0.80	4	3	5	3	4	4	5	6	6	7
	1.20	6	3	5	3	4	4	5	6	7	7
	1.60	8	4	5	3	4	5	5	6	7	8
	2.00	10	4	6	3	4	5	6	6	7	8
	2.40	11	4	6	3	4	5	6	6	7	8
	2.80	13	4	6	3	4	5	6	7	7	8
	3.20	15	4	6	3	4	5	6	7	8	9
	3.60	16	4	6	3	4	5	6	7	8	9
	4.00	18	4	6	3	4	5	6	7	8	9

SPRING	MAX ROTATIONS
STD	45
HD	38
*OUTSIDE SPECIFICATIONS	

PARAMETERS:
 FABRIC DENSITY: 390gsm
 FABRIC THICKNESS: 0.6mm
 WEIGHT BAR: D30 Bottom Rail

ADJUST PRETURNS

NOTE

Pre-turns + # Tube Turns should not exceed
Max Spring rotations.

BOOSTER

COLOUR

Right Hand Spring

White (STD) / Grey (HD)

Left Hand Spring

Yellow (STD) / Blue (HD)

NOTE

- Remove the winder and rotate to add (+) or remove (-) pre-turns.
- Hold the tube & winder securely when removing the winder, the live tension will cause the parts to spin.

LEFT HAND CONTROL		RIGHT HAND CONTROL	
BACK ROLL	FRONT ROLL	BACK ROLL	FRONT ROLL

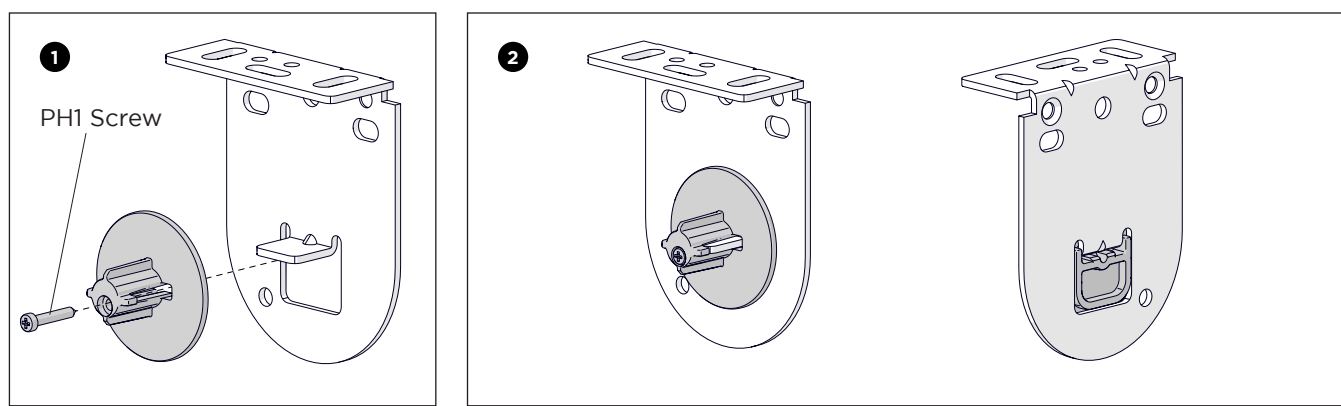
HD BRACKET ADAPTOR ASSEMBLY

NOTE

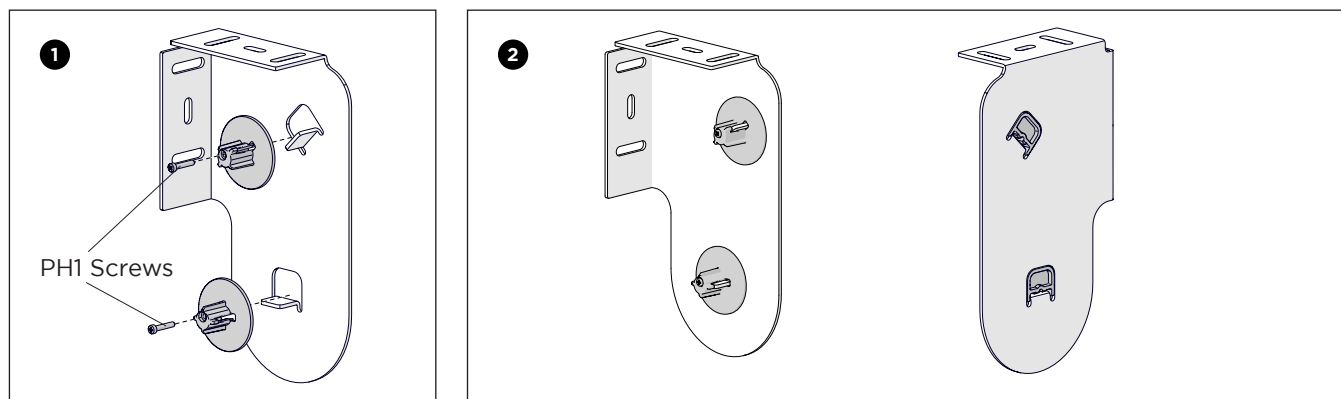
The Heavy Duty Bracket Adaptor is required for all double bracket E6/M6 motorised installations.

CONTROL	APPLICATION	HD BRACKET ADAPTOR RECOMMENDATION	
		SINGLE BRACKETS	DOUBLE BRACKETS
		AX/VX/LX	ALL
CHAIN	Residential	n/a	n/a
	Commercial	<i>optional</i>	<i>optional</i>
MOTOR	Residential	n/a	<i>required</i>
	Commercial	<i>required</i>	<i>required</i>

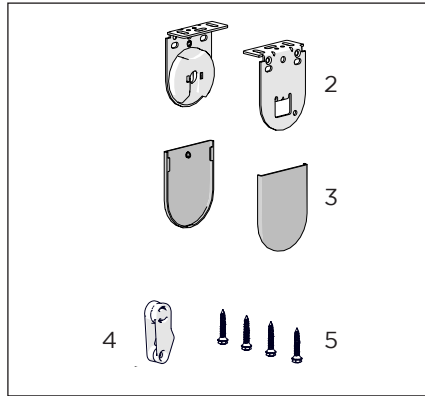
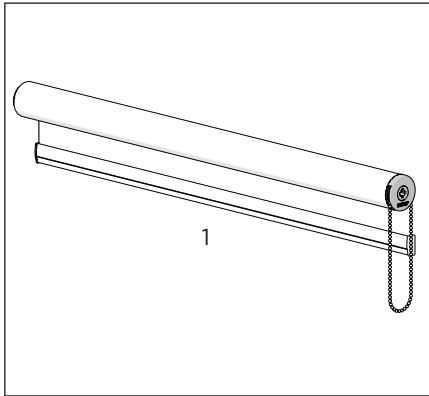
SINGLE BRACKET



DOUBLE BRACKET



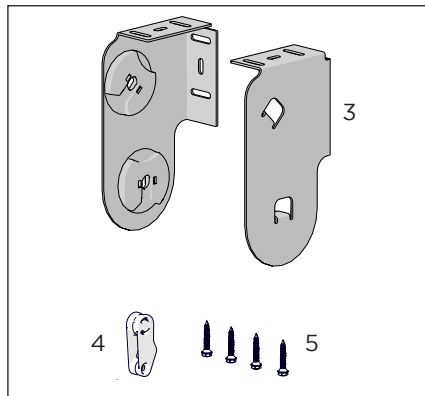
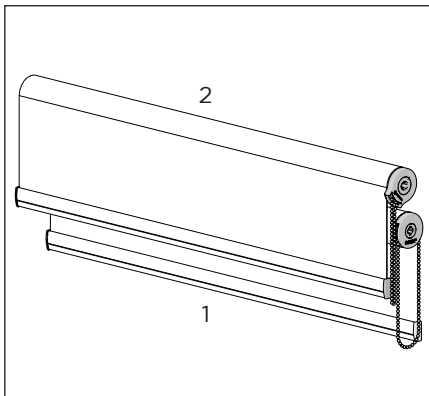
CHAIN SYSTEM - SINGLE SHADE



SYSTEM INDEX:

1. **SHADE ASSEMBLY**
 - RB07/08/09 SYSTEM
2. **BRACKET SET**
3. **BRACKET COVERS SET**
 - *Optional*
4. **CHAIN TENSIONER**
 - *Optional*
5. **FASTENERS**

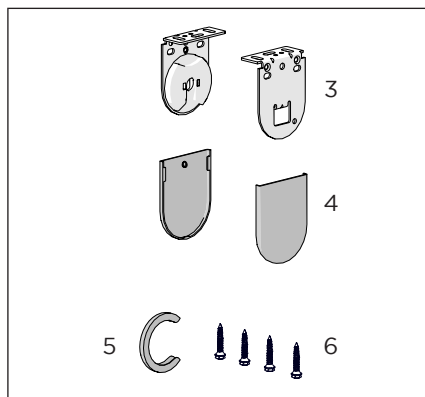
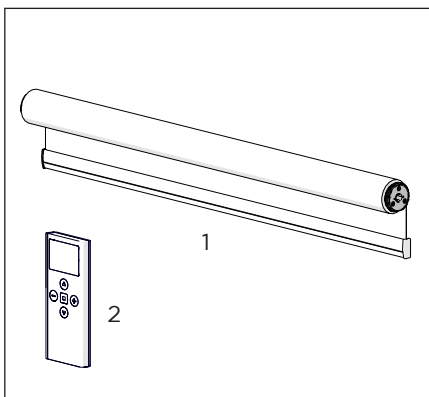
CHAIN SYSTEM - DUAL SHADES



SYSTEM INDEX:

1. **SHADE ASSEMBLY 1**
 - RB07/08/09 SYSTEM
2. **SHADE ASSEMBLY 2**
 - RB07 SYSTEM
3. **BRACKET SET**
4. **CHAIN TENSIONER**
 - *Optional*
5. **FASTENERS**

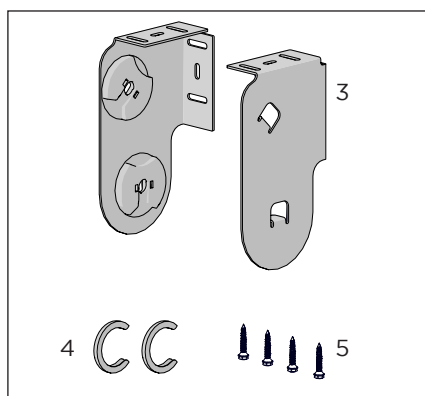
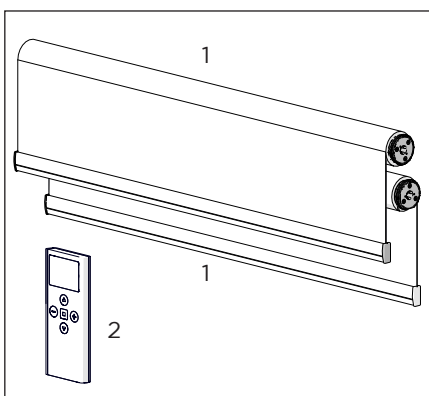
MOTORISED SYSTEM - SINGLE SHADE



SYSTEM INDEX:

1. **SHADE ASSEMBLY**
 - 1.1/2.0/3.0/6.0Nm SYSTEM
2. **REMOTE**
 - *Optional*
3. **BRACKET SET**
4. **BRACKET COVERS SET**
 - *Optional*
5. **MOTOR CAP**
 - *Optional*
6. **FASTENERS**

MOTORISED SYSTEM - DUAL SHADES



SYSTEM INDEX:

1. **SHADE ASSEMBLY**
 - 1.1/2.0/3.0/6.0Nm SYSTEM
2. **REMOTE**
 - *Optional*
3. **BRACKET SET**
4. **MOTOR CAP**
 - *Optional*
5. **FASTENERS**