

MKII MOUNTING RAIL - BASE 50

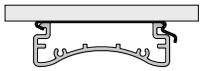
OVERVIEW

Providing installation assistance to suit S40 & S45 interior roller blind applications, the MKII Mounting rail features an advanced curved façade to accentuate the smooth circular shape of a roller blind.

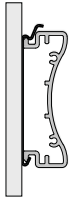
FEATURES & BENEFITS

- Improved aesthetic design.
- Slimline mounting bracket for top and face fix applications.
- Countersunk screws ensure a secure level finish.
- Flush fitting clip on end covers.
- Compatible with VX/LX 40mm projection brackets.

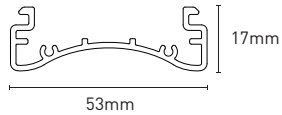
TOP FIX



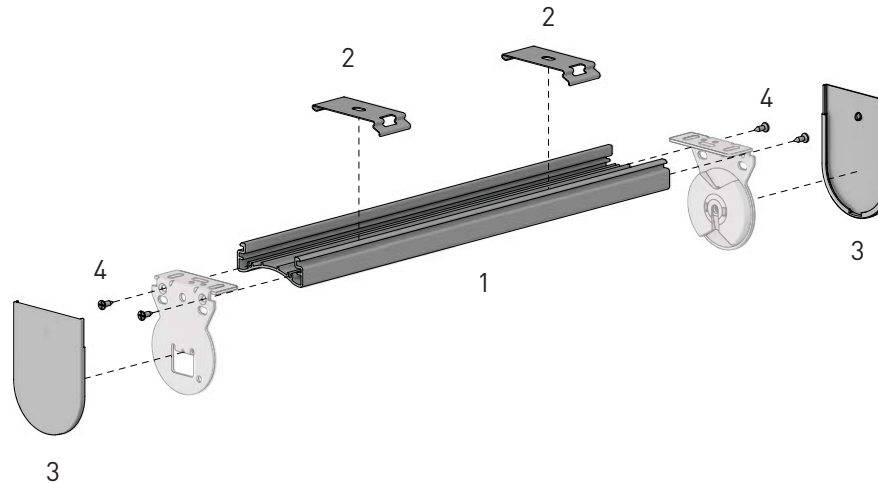
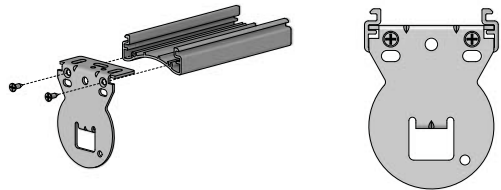
FACE FIX



DIMENSIONS



ATTACHING BRACKETS



1. MKII MOUNTING RAIL - BASE 50

4.8 metre length

CODE: **RB88-2051-xxx480**

PACK: 10 | 160 Lengths nat. anodised 020
 10 | 160 Lengths pure white 069

INDENT

80 Lengths black 050
 80 Lengths sandstone 269

2. SLIMLINE SPRING CLIP BRACKET

Universal Fix

CODE: **RB88-2092-xxx001**

PACK: 100 | 1000 Pieces stainless steel 010
 100 | 1000 Pieces pure white 069

INDENT

1000 Pieces black 050
 1000 Pieces sandstone 269
 1000 Pieces silver grey 338

3. VX/LX BRACKET COVER CAPS - M/RAIL BASE 50

40mm projection

CODE: **RB88-4151-xxx040**

PACK: 25 | 500 Pieces pure white 069

INDENT

1000 Pieces black 050
 1000 Pieces sandstone 269
 1000 Pieces silver grey 338

4. SCREW, SELF TAPPING - #4 x 3/8

CODE: **HD82-1904-025010**

PACK: 100 | 5000 Pieces