

CHAINS & CHILD SAFETY

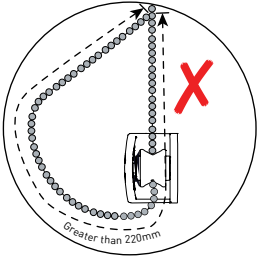
It's easy to overlook potential hazards for children, especially when their natural curiosity can lead them to explore every crevice and corner of a home. At Rollease Acmeda, child safety is important to us, so we offer a variety of solutions to ensure every home and family is safe from hazards, loose hanging cords or chains.

The current requirements set by the ACCC dictates that the cord of an internal window covering must never form a loop of 220mm or more, never dangle less than 1.6m above floor level and must always be secured by a tensioner or holster.

Our range of products offer an innovative suite of child safe solutions that easily comply with these regulations without compromising functionality or design of window furnishings

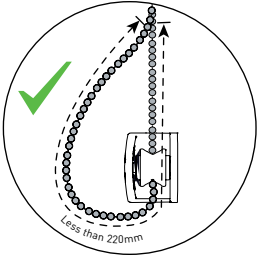
SAFETY STANDARDS

CHAIN LOOP LENGTH



Greater than 220mm

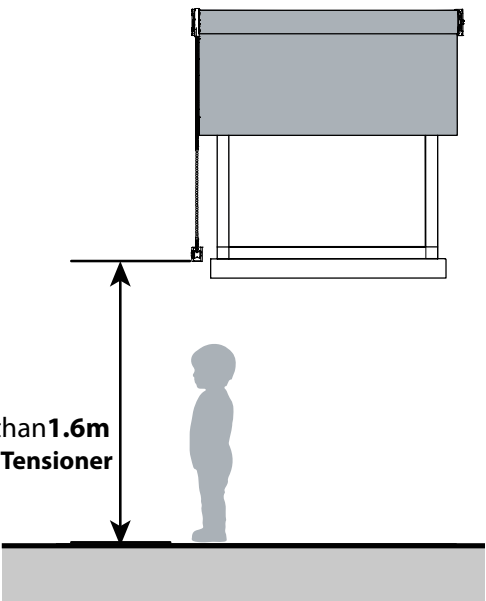
Chain loop must not exceed 220mm.



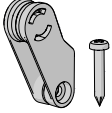
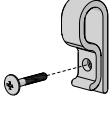
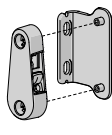
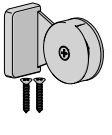

Less than 220mm

INSTALLATION HEIGHT

CHAIN TENSIONER MUST BE USED IF THE CHAIN IS LESS THAN 1.6m ABOVE THE FLOOR



If less than **1.6m**
Use **Chain Tensioner**

	WEBPAGE LINK	FIXING			COLOURS			
		Face Fix	Recess Fix	Floor Fix	000/001 - clear	050 - black	069 - white	338 - silver grey
UNIVERSAL		✓	✓		✓	✓	✓	
HOOK		✓	✓		✓			
CHAINHOLD		✓	✓				✓	
CHAIN TENSIONER		✓		✓		✓	✓	✓
			✓			✓	✓	✓