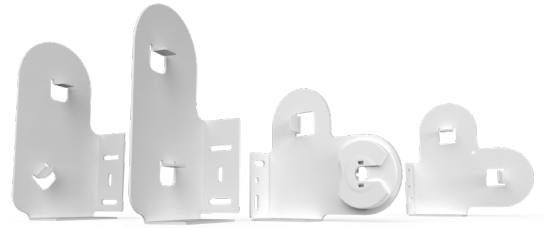


BRACKETS | DOUBLE

FEATURES & BENEFITS

- Combine sheer fabric and block-out fabric in one installation.
- Ultimate privacy while still allowing light into any given room.
- Easy-Lock assembly to simplify installation.
- Available in multiple configurations for every application.
- HD Adapter increases the standard bracket's strength for larger motors.



MOUNTING SOLUTIONS



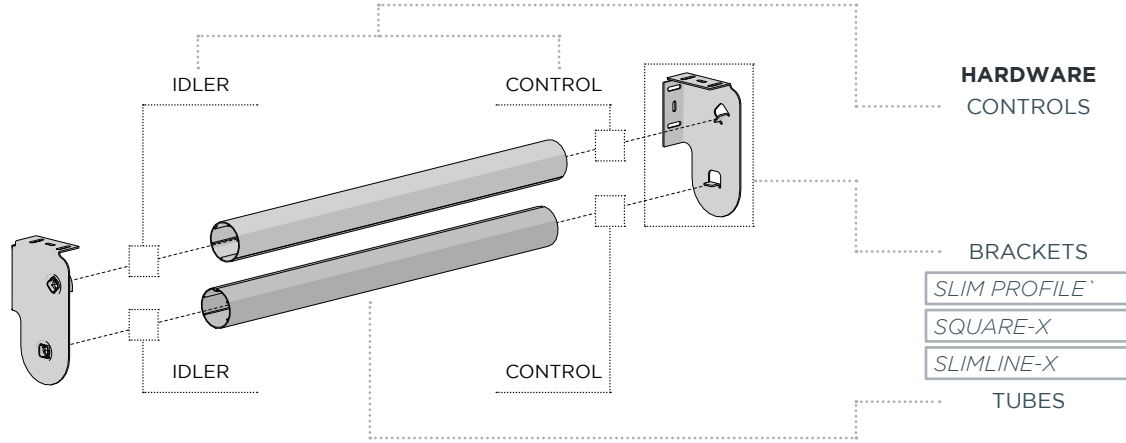
COLOUR RANGE

- black
- pure white
- sandstone
- barley
- silver grey

OPTIONS

HD ADAPTER

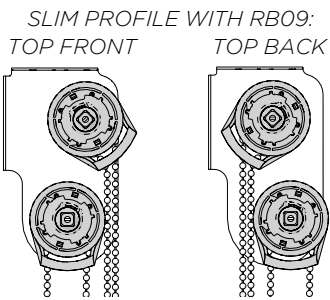
RB09 Direct with Chain Guide



FABRIC ORIENTATION

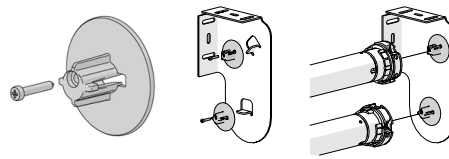
SLIM PROFILE TOP-FRONT*	SLIM PROFILE TOP-BACK*	SQUARE-X	SLIMLINE-X

TECHNICAL DATA



INCREASED DOUBLE BRACKET CAPACITY WITH THE HD ADAPTER

The HD Adapter is required for all 3.0Nm and 6.0Nm motors.



			MAX ROLL SIZE (x2)		WINDER	MOTOR	MOTOR & HD ADAPTER	SPRINGS	IDLER	UPGRADE
			RB07/08	RB09						
SLIM PROFILE TOP FRONT		Top Front configured brackets use front over-rolled fabric to conceal both rolls. The Top Front chain control is installed on a 45° angle for improved operating experience.	70mm	✓	✓	✓	✓	✓	✓	✓
SLIM PROFILE TOP BACK		Slim profile bracket has both controls located on the same side to minimise footprint in living space. Top Back configured brackets have the back roll at the top for optimum light blocking.	70mm	✓	✓	✓	✓	✓	✓	✓
SQUARE-X		Square profile bracket with both tube controls located on the same bracket side.	70mm	✓	✓	✓	✓	✓	✓	✓
SLIM-LINE-X		Square profile bracket with controls located on the opposite sides. Separating one chain control to each side simplifies operation for the user.	65mm	✓	✓	✓	✓	✓	✓	✓