

MOUNTING RAIL

FEATURES & BENEFITS

- Option to completely assemble shade off-site for installation.
- Quick snap fit installation into the Universal Mounting Brackets.
- Curved design to maximise the roller drop.
- Compatible with LX/VX brackets.
- Dedicated bracket covers to match mounting rail silhouette.



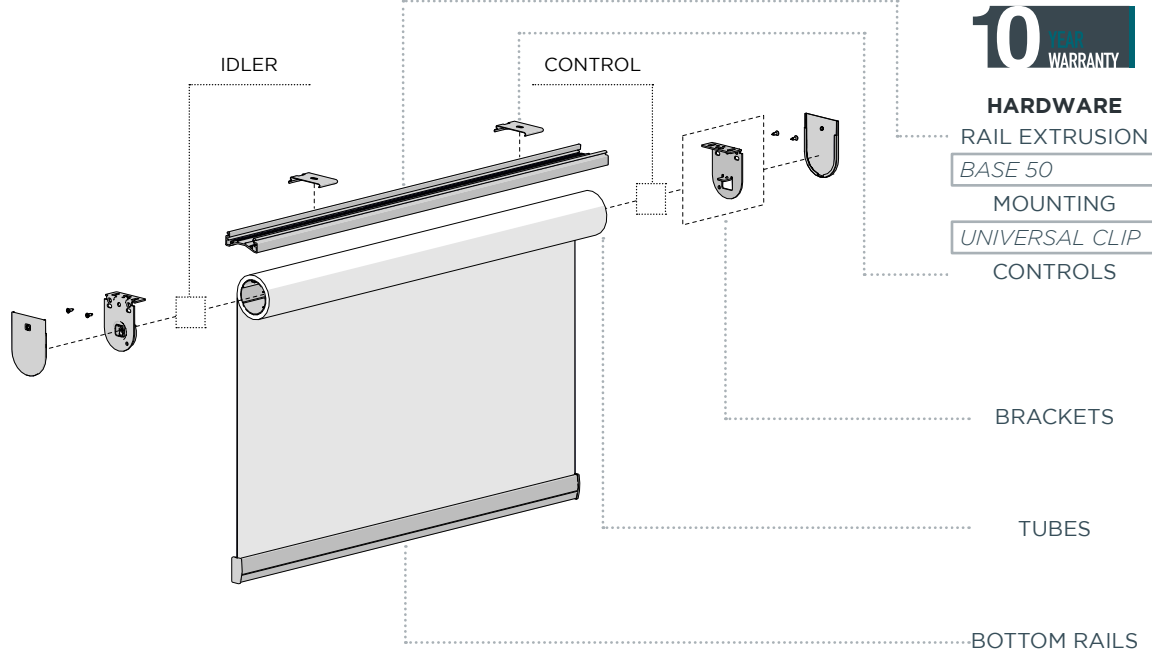
MOUNTING SOLUTIONS



COLOUR RANGE
pure white

WEBPAGE LINK

SYSTEM UPGRADES



10 YEAR WARRANTY

HARDWARE
RAIL EXTRUSION
BASE 50
MOUNTING
UNIVERSAL CLIP
CONTROLS

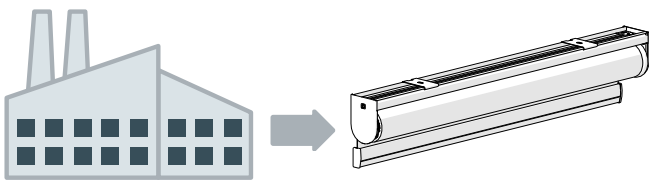
BRACKETS

TUBES

BOTTOM RAILS

SYSTEM FEATURES

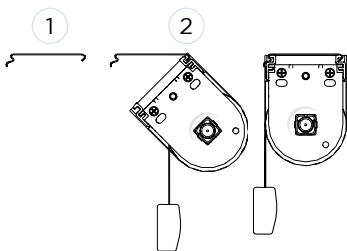
Prefabricate + Quick Install



Simplified Off-site Assembly.

Snap Fit Installation

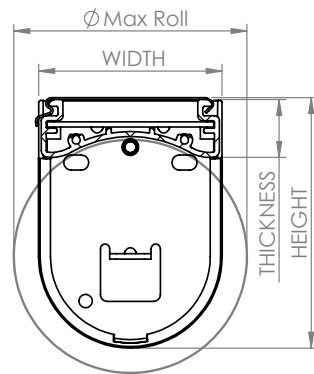
Aesthetics



1. Install Bracket.
2. Snap-In assembly.

Dedicated bracket cover

TECHNICAL DATA



	RAIL BASE	50mm
	WIDTH	54mm
	COVERS	✓
HEIGHT	LX/VX 40	70mm
	LX 55	97mm
MAX ROLL	LX/VX 40	75mm
	LX 55	90mm

