

INTERNAL WIRE GUIDE

FEATURES & BENEFITS

- Secure guide, aiding & controlling unwanted movement.
- Tensioners available to suit Top or Face mount.
- Crimping & Wire cutting tools available.
- Wire mounting brackets can be mounted outside the bracket for a larger max roll or inside the bracket to reduce the visual footprint.



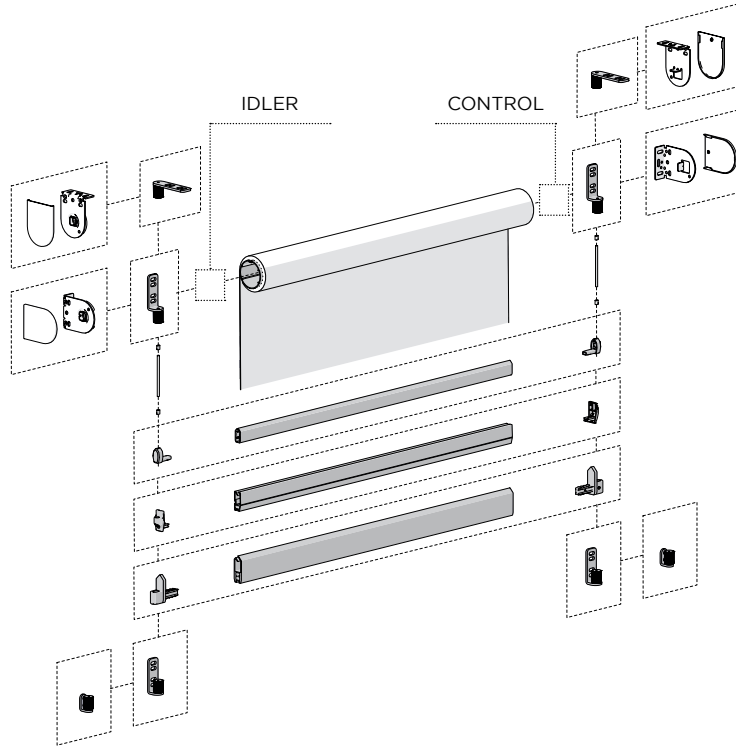
MOUNTING SOLUTIONS



COLOUR RANGE

- black
- pure white
- sandstone
- silver grey

WEBPAGE LINK



10 YEAR WARRANTY

HARDWARE MOUNTING

TOP
FACE

CONTROLS

BRACKETS

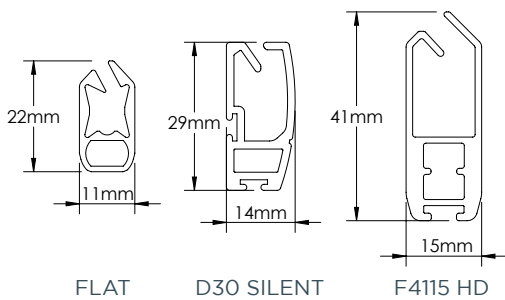
TUBES

TOOLS

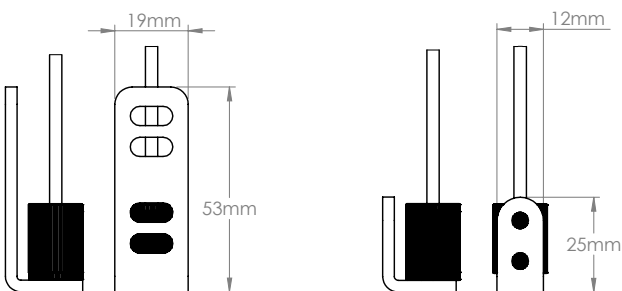
CRIMPING
WIRE CUTTING

SYSTEM FEATURES

Bottom Rails

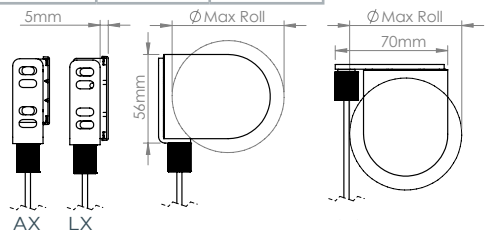
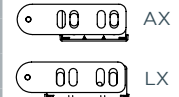


MOUNTING OPTIONS



TECHNICAL DATA

Wire Guide Bracket Location	MAX ROLL	
	AX BRKT.	LX BRKT.
Inside Bracket	70mm	65mm
Outside Bracket	75mm	70mm



STANDARD SHADE WIDTH

