

BOTTOM RAILS

FEATURES & BENEFITS

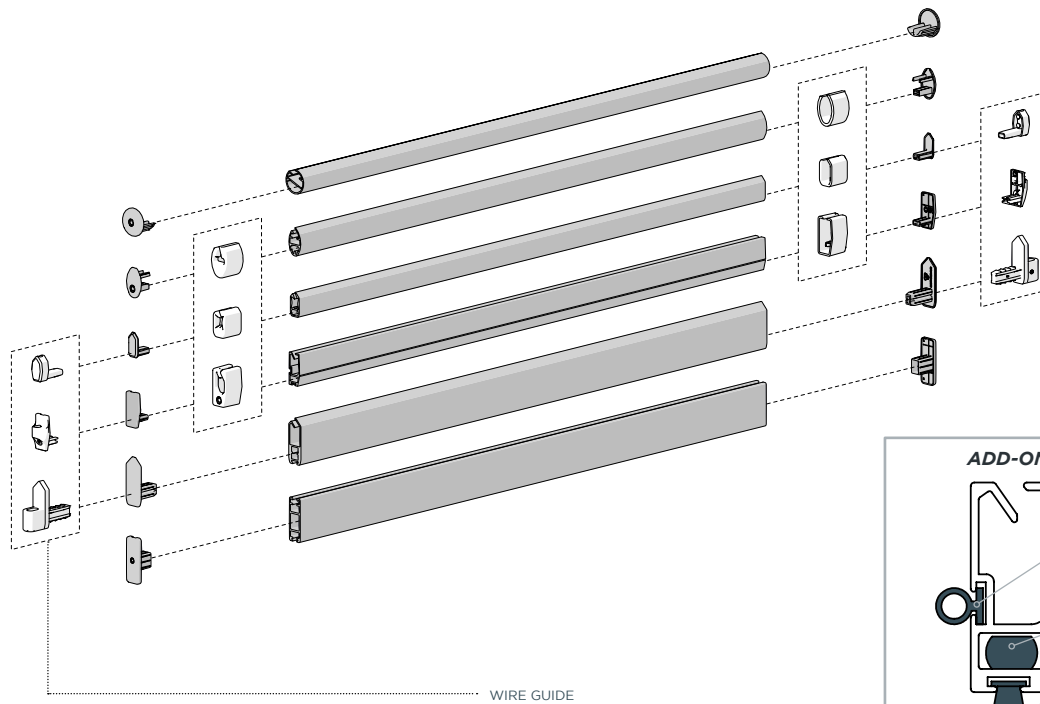
- Variety of sizes to suit all shade solutions.
- Multiple add-ons available to customise installation.
- Ends caps suitable to specific upgrades.
- Feed funnels available to assist in assembly.



COLOURS
REFER TO
CATALOGUE

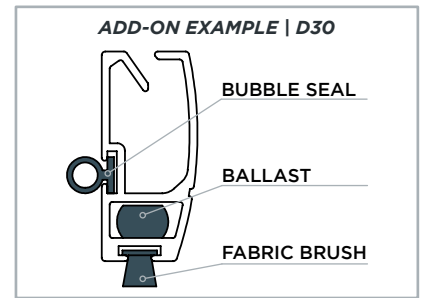
OPTIONS

- BUBBLE SEAL
- FABRIC BRUSH
- BALLAST
- FABRIC WRAP

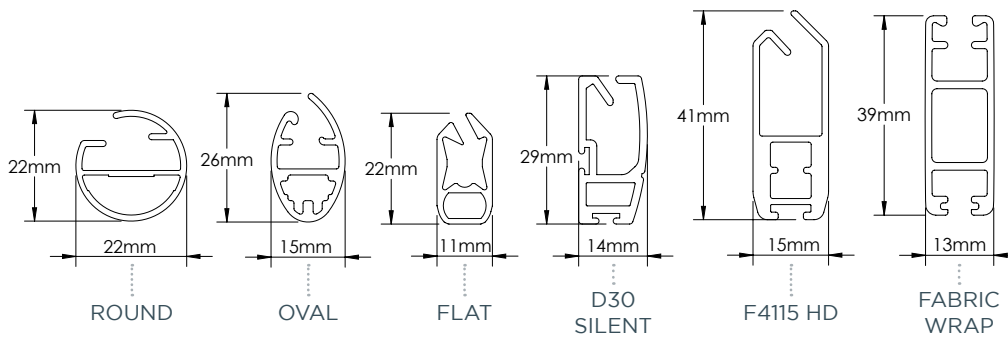


HARDWARE
BOTTOM RAILS

ROUND
OVAL
FLAT
D30 SILENT
F4115 HD
FABRIC WRAP



TECHNICAL DATA



		Bottom Rail COMPATIBILITY										
		FLAT SPLINE 8.7mm	FLAT SPLINE 9mm	FLAT SPLINE 10mm	FLAT SPLINE 15mm	FABRIC FEEDING FUNNELS	FABRIC WRAP	BALLAST	FABRIC BRUSH	BUBBLE SEAL	DIM-OUT	WIRE GUIDE END CAPS
ROUND BOTTOM RAIL	Round aesthetic.			✓	✓			✓				
OVAL BOTTOM RAIL	Oval aesthetic.			✓		✓		✓				
FLAT BOTTOM RAIL	Compact & small square design. Ideally suited to spring applications.			✓		✓		✓			✓	✓
D30 SILENT BOTTOM RAIL	Premium solution. Fabric brush & bubble seal compatible to reduces noise and light gap.				✓	✓		✓	✓	✓	✓	✓
F4115 HD BOTTOM RAIL	Additional weight ballast allows to achieve optimal fabric performance.				✓			✓	✓	✓	✓	✓
FABRIC WRAP BOTTOM RAIL	Suitable for fabric wrap solutions.	✓	✓				✓	✓				