

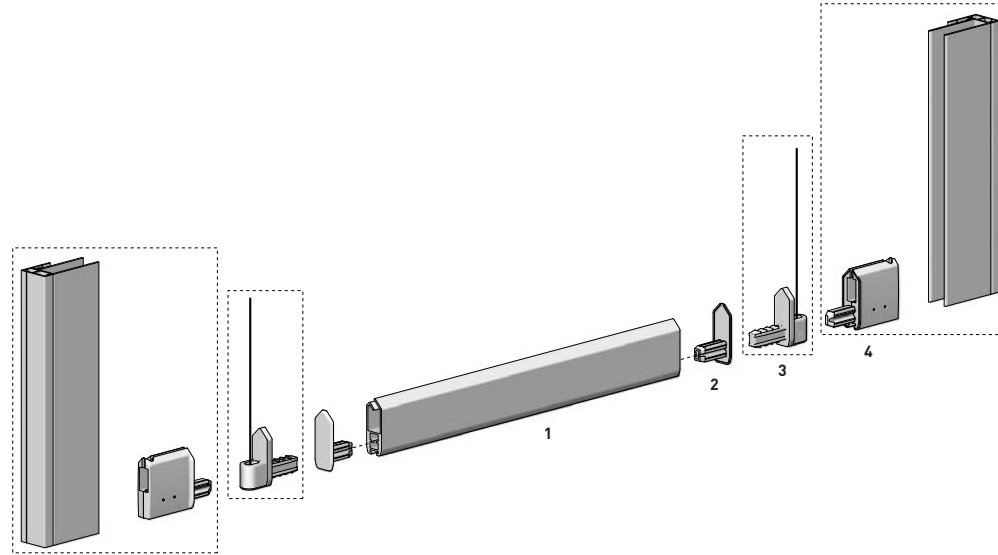
## F4115 FLAT Heavy Duty Weight Bar & End Caps

### OVERVIEW

The F4115 Heavy Duty Weight Bar provides a stylish finish to the larger, more heavier range of Roller shades.

### FEATURES & BENEFITS

- Extruded aluminium powder coated finish.
- Wire and Side Guide system compatibility.
- Additional weight ballast allowances, achieving optimal performance.
- Bottom seal strip available, aligning floor levels and closing up gaps.
- Complete matching colour range.



#### 1. F4115 FLAT Heavy Duty Weight Bar

41 x 15mm x 5.8 metre lengths

CODE: **SB06-0201-xxx580**

PACK: 5 | 180 Lengths mill 000

5 | 120 Lengths nat. anodised 020

5 | 100 Lengths see colours

#### 2. F4115 FLAT Weight Bar - End Cap

CODE: **SB06-0210-xxx000**

PACK: 100 | 1000 Pieces

#### 3. F4115 FLAT Weight Bar

- Wire Guide End Cap

CODE: **SB06-0210-xxx003**

PACK: 50 | 500 Pieces

#### 4. F4115 FLAT Weight Bar

- Blockout 17 Side Guide End Cap

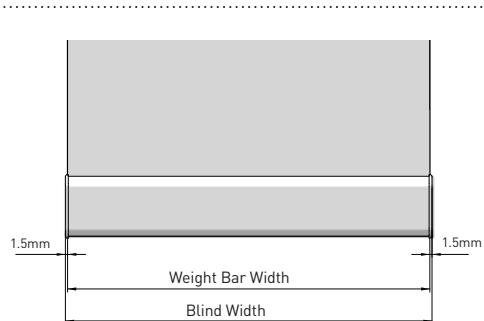
CODE: **SB06-0210-xxx001**

PACK: 25 | 150 Pieces

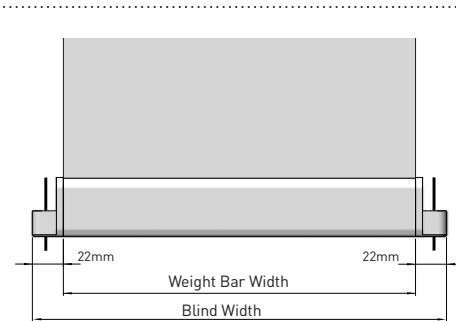
COLOUR: anodised 020,  
black 050,  
snow white 062,  
birch white 412

### DIAGRAM DEDUCTIONS

#### STANDARD SYSTEM



#### WIRE GUIDE SYSTEM



#### SIDE GUIDE SYSTEM

