

## D30 SILENT BOTTOM RAIL & ACCESSORIES

Introducing the latest addition to our bottom rail range, the D30 SILENT Bottom Rail features an updated architectural design for use with S35 and S45 roller shades. Two discreet slot allocations allow for a bubble seal offering a quiet solution, and fabric brush for an improved light block-out shade.

### AESTHETICAL FEATURES

- Slim and subtle design.
- Sleek hidden slots, maintaining a premium front view aesthetic.
- Available in Rollease Acmeda's standard roller blind colour range

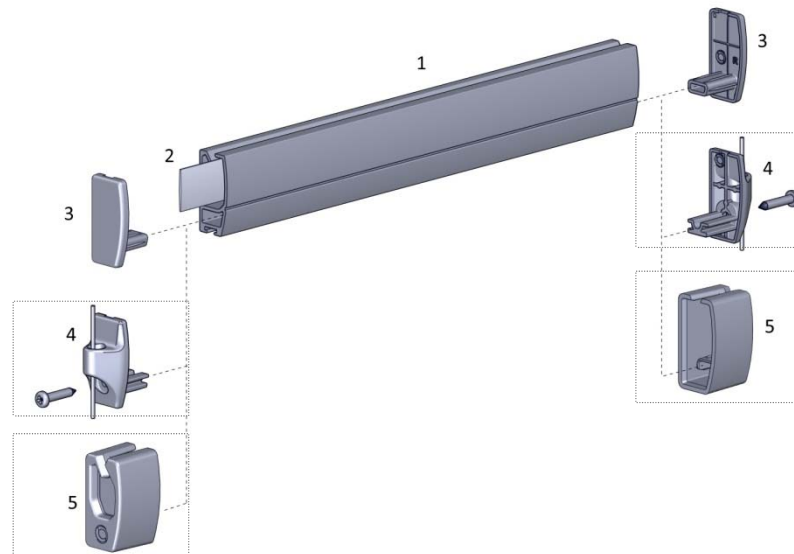
### PRODUCTION / ASSEMBLY FEATURES

- Feeding Funnel set available for easy fabric assembly
- 15mm spline compatibility
- Improved end cap fitment onto bottom rail
- Styled wire guide end caps with secure fitment to bottom rail using screws

### FUNCTIONAL BENEFITS

- Back and front allocations are interchangeable to hold either a bubble seal or fabric brush.
- A clear bubble seal can be added to assist maintaining a quiet environment, ensuring noise is muted when the bar comes in contact with window frames when disturbed by movement. (SB91-0005-001100)
- A fabric brush can be utilised to close up extra light gaps on cassette dim out roller shades, providing an increased light block-out solution. (SB91-0011-050500)

### DEDUCTIONS

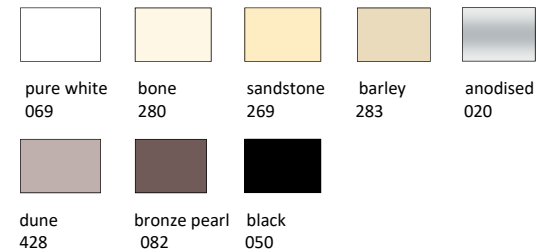


## SYSTEM INDEX

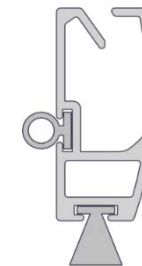
1. D30 SILENT Bottom Rail – 14 x 31mm x 5.8mt  
RB91-1232-xxx580
2. 15mm Flat Spline  
RB92-1501-001100
3. D30 Medium End Cap · RH & LH Set  
RB91-2131-xxx002
4. D30 Medium Wire Guide End Caps LH & RH Set  
RB91-2231-xxx002
5. D30 Medium Bottom Rail Funnel LH & RH Set  
RB91-7030-393000

xxx = colour

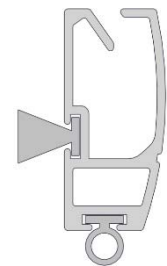
## COLOUR RANGE



## INTERCHANGABLE SLOTS



Fabric Brush



Bubble Seal