

S40/45 AUTOMATE WIREFREE

The Rollease Acmeda S40/S45 wirefree motorized roller shade system offers the flexibility of 4 tubes and two AUTOMATE | Li-ion motors to suit a wide range of applications. Featuring ARC (Automate Radio Communication), the S40/45 system with AUTOMATE | Li-ion motors provide an intelligent, battery powered solution. The addition of an optional solar panel provides efficient and autonomous energy harvesting capability for completely wirefree operation.

AESTHETIC FEATURES

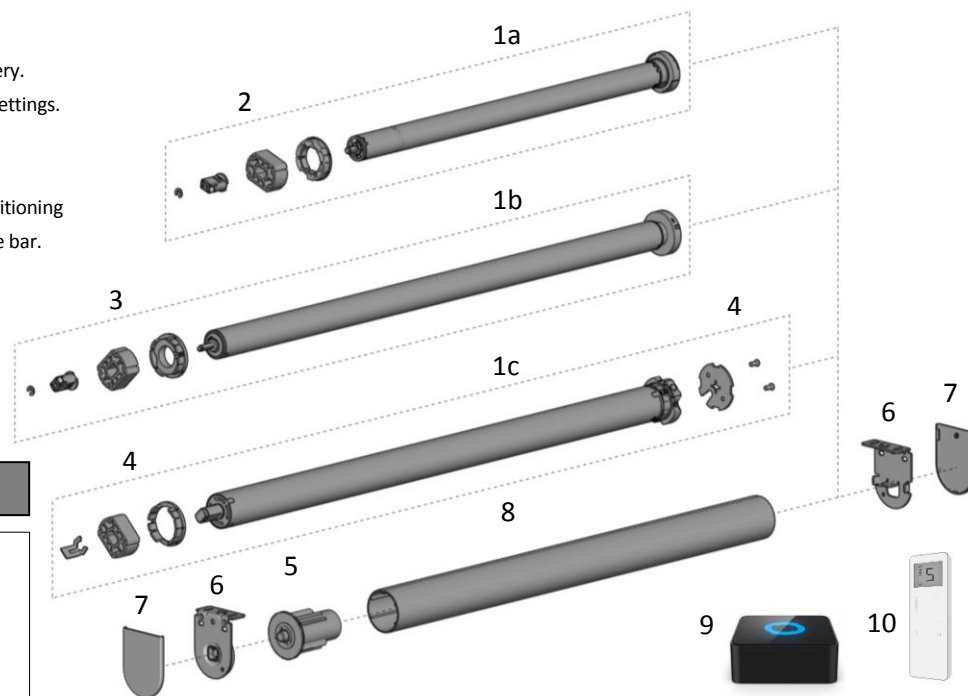
- Slimline and compact roller blind system.
- Contemporary remotes with touch sensitive buttons.

ASSEMBLY / INSTALLATION BENEFITS

- No AC mains powered electrical wiring and no electrician required.
- Easy-Lock effortless installation.
- Easy limit setting and programming.

FUNCTIONAL BENEFITS

- Internal rechargeable Lithium-Ion battery.
- Selectable RPM – offers 3 speed level settings.
- Optional solar powered charger.
- SINGLE & FIFTEEN channel remotes.
- Levelling control for easily selected positioning of multiple shades via the intuitive slide bar.
- 5-year warranty (including battery)



CHARGING DEVICE

11. Solar panel Charger



12. Electric Charger



SYSTEM UPGRADES

Pelmet 95 Or Valance 80/100



Easy-Link S40/45



CF90 - Round



CF90 - Square



Mounting Rail



SYSTEM INDEX

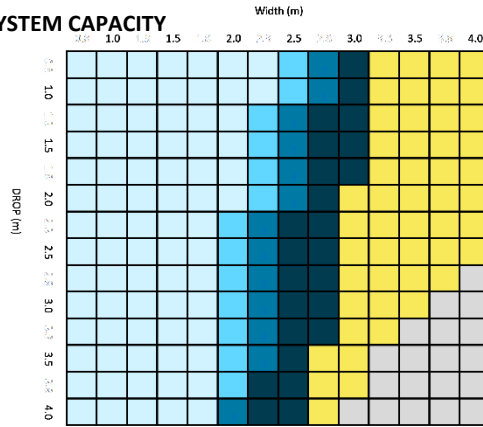
1a	AUTOMATE Li-ion 1.1 MTDCBRF25-1.1
1b	AUTOMATE Li-ion 2.0 MTDCBRFQ28-2.0
1c	AUTOMATE Li-ion 3.0 MTDCBRF35-3
2a	AUTOMATE Crown & Drive Set MTCRDR-25-S40
2b	AUTOMATE Crown & Drive Set MTCRDR-25-S45
3	AUTOMATE Crown & Drive Set MTCRDR-28-S45
4	AUTOMATE S45 Accessory Pack MTCRDR-35-S45
5a	RB08 Easy-Lock MKII Extendable Idler S45 RB08-0503-xxx045
5b	RB09 Easy-Lock Extendable Idler S45 RB09-0245-xxx001
6a	M40 H/D Easy-Lock LX Brkt- 12/40mm S40/45 RB40-8355-xxx040
6b	M40 H/D Easy-Lock LX Brkt -12/55mm S40/45 RB40-8355-xxx055
7	VX/LX Bracket Cover Caps S40/45 RB08-4151-xxx040
8	Aluminium Tube S40/S45 See Catalogue
9	AUTOMATE PULSE MTRF-PULSE-AU
10a	AUTOMATE Paradigm ARC Remote – 1 CH MTRF-REM-1C
10b	AUTOMATE Paradigm ARC Remote – 15 CH MTRF-REM-15
11	Solar panel Charger MTSOLPAN-B
12	Electric Charger MTDCB-CHARGE-AU xxx = colour

COLOUR RANGE



SPECIFICATIONS

S45 SYSTEM CAPACITY



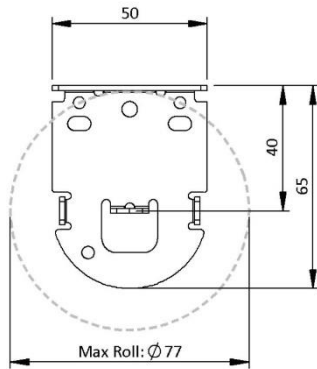
S40/45 AUTOMATE WIREFREE Min. Blind Width: 0.54m

CONTROL	TUBE	EASY-LINK REQ.
S40/45 WIREFREE	S45 HD / STD / LT / S40 STD	Yes
	S45 HD / STD / LT	Yes
	S45 HD / STD	Yes
	S45 HD	Yes

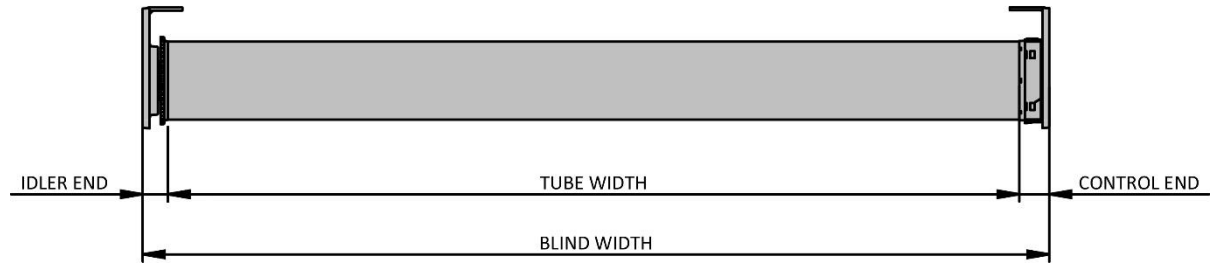
MOTOR	S40 STD	S45 LT	S45 STD	S45 HD
1.1Nm	5.7kg	5.2kg	5.1kg	4.6kg
2.0Nm	-	9.4kg	9.2kg	8.3kg
3.0Nm	-	14.1kg	13.8kg	12.5kg

Parameters
 Fabric Density: 420gsm
 Fabric Thickness: 0.6mm
 Weight Bar: D30 Bottom Rail
 *Refer to S40/45 EASY-LINK QRG for further details

MAX ROLL



DEDUCTION



	MOTOR	RB09 IDLER END*	CONTROL END	OVERALL DEDUCTION
AUTOMATE Li-ion 3.0	LX/VX Brackets – with covers	14mm (0.55")	17mm (0.70")	31mm (1.22")
	LX/VX Brackets – withOUT covers	13mm (0.51")	16mm (0.63")	29mm (1.14")
AUTOMATE Li-ion 2.0 & Li-ion 1.1	LX/VX Brackets – with covers	14mm (0.55")	15mm (0.59")	29mm (1.14")
	LX/VX Brackets – withOUT covers	13mm (0.51")	14mm (0.55")	27mm (1.06")

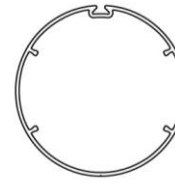
*Add 1mm when using RB08 idle end

TUBE SPECS



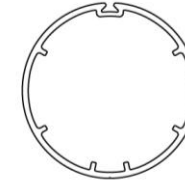
S40 STD*
T-Spline Tube

CODE: RB93-0440-000580
 O.D: 40mm
 Length: 5.8 metres



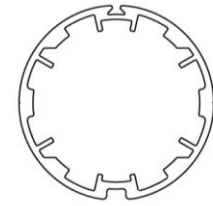
S45 LIGHT
T-Spline Tube

CODE: RB93-0443-000580
 with D/S tape RB93-6443-000580
 O.D: 43mm
 Length: 5.8 metres



S45 STANDARD
T-Spline Tube

CODE: RB93-0444-000580
 with D/S tape RB93-6444-000580
 O.D: 44mm
 Length: 5.8 metres



S45 HEAVY DUTY
T-Spline Tube

CODE: RB93-0449-000580
 with D/S tape RB93-6449-000580
 O.D: 49mm
 Length: 5.8 metres

*Only used with 1.1Nm Motor