

AUTOMATE ARC S60

Automate ARC S60 offers a complete motorized solution for large internal roller shades. The Automate ARC Motor is easy to assemble and install with simple 5 step programming. The S60 motor comes with a 5 year warranty and can be controlled by the Automate Paradigm ARC series contemporary remote.

FUNCTIONAL BENEFITS

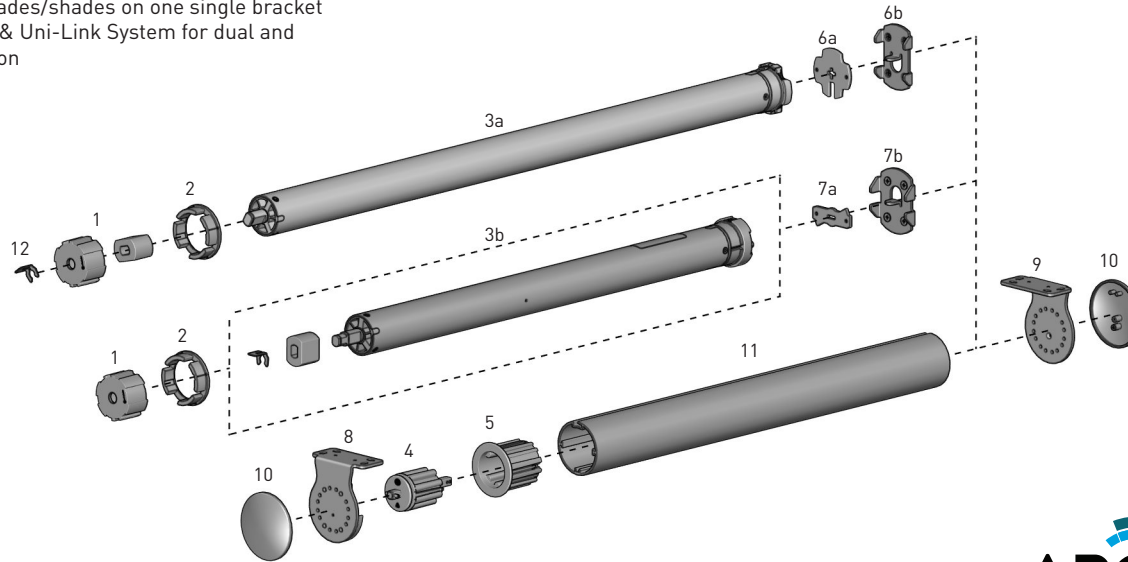
- Up to 15 Nm motor torque and 15 Rpm speed.
- Easy 5 step programming.
- Optional impact detection function to protect the fabric & shade.
- Modern single & multi-channel ARC remotes.

AESTHETICAL FEATURES

- Colour coded brackets and hardware.
- Optional bracket cover caps providing a neat overall finish.

INSTALLATION / ASSEMBLY FEATURES

- Pin End (Idler) provides a retractable drive shaft for easy installation
- Combo brackets for dual shades/shades on one single bracket
- Compatible with Multi-Link & Uni-Link System for dual and angled single motor operation

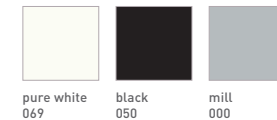


SYSTEM INDEX

1	Automate Drive Wheel S60 RB56-0105-050518 - IMPACT DETECTION RB56-0105-050502 - NO IMPACT DETECTION
2	Automate S60 Crown Wheel RB56-0136-050508 (S60 60STD tube) RB56-0138-050508 (S60 80HD tube)
3	Automate Motor a. MTDCBRF45-10 b. MT01-1145-050001
4	RB10 Bearing Idler RB10-4200-xxx001
5	RB10 Tube Adaptor RB10-6000-xxx060 (S60 60STD tube) RB10-6000-xxx080 (S60 80HD tube)
6	Automate S60 Motor Adapter Set a. RB56-0711-xxx519 b. RB56-0701-xxx518
7	Automate Motor Head Plate S60 a. RB56-0711-050509 b. RB56-0701-xxx508
8	RB10 Idler Bracket Kit S60 RB10-6500-xxx001
9	M50 Universal Motor Bracket RB56-7103-xxx060 (S60 60STD tube) RB56-7103-xxx080 (S60 80HD tube)
10	Bracket Cover Cap RB10-0101-xxx060
11	Tube SEE TUBE SPECS ON REVERSE
12	AUTOMATE Drive Wheel CLIP for FT Motor MTCLIP-35-45

xxx= colour

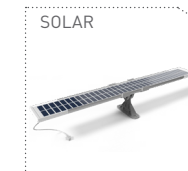
COLOUR RANGE



SYSTEM UPGRADES

- CASSETTE 80/100/120
- FASCIA 3"/4"/5"
- LINK SYSTEM
- POCKETS 3"/4"/5"/6"

CONTROL OPTIONS



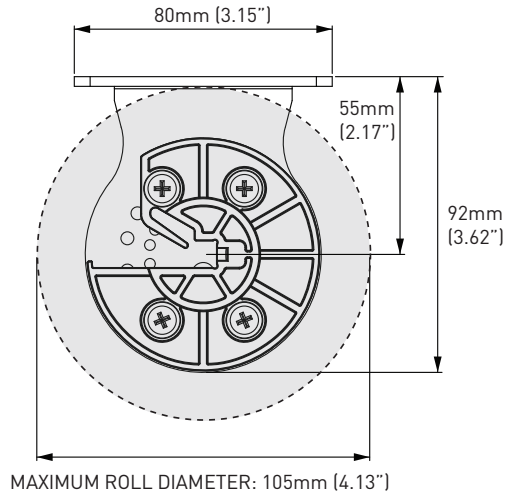
PRODUCT OPTIONS



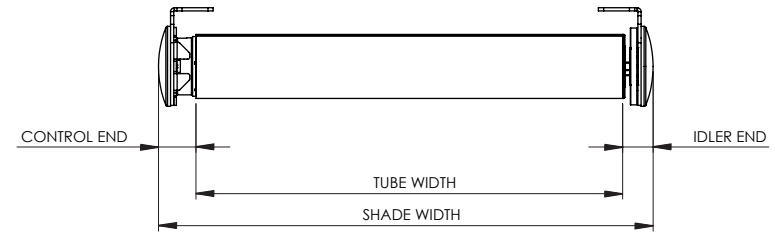
OUTDOOR ONLY

SPECIFICATIONS

MAX ROLL

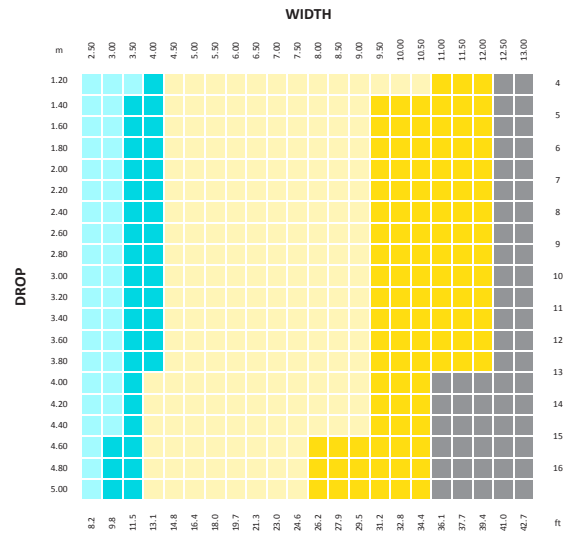


DEDUCTION



MOTOR	CONTROL END		IDLER END		PRE-TENSION		MINIMUM SHADE WIDTH	
	No Covers	With Covers	No Covers	With Covers	No Covers	With Covers	No Covers	With Covers
MT01-1145-050001	23mm [0.91"]	34mm [1.34"]	17mm [0.67"]	28mm [1.10"]	25mm [0.98"]	36mm [1.42"]	750mm [29.53"]	775mm [30.51"]
MTDCBRF45-10	22mm [0.87"]	33mm [1.30"]					940mm [37.01"]	965mm [37.99"]

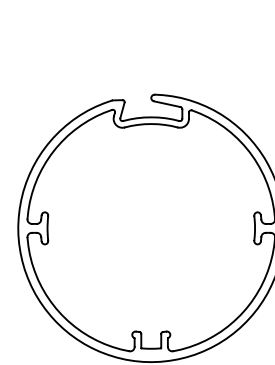
SYSTEM CAPACITY



CONTROL	TUBE
S60 AUTOMATE	80HD 60 STD
	80HD
	3 LINKS 60 STD
	3 LINKS 80 HD
	OUTSIDE RECOMMENDED SIZES

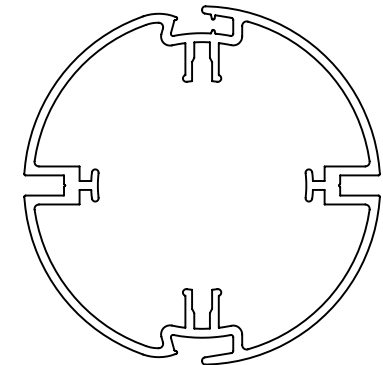
Parameters: 420gsm [12.39oz/yd²], F4115 Weight Bar, 3 links
 S60 Automate | Minimum Shade Width = See Deduction Table
 Graph based on 3 links for optimal fabric performance

TUBE SPECS



S60 | 60 STANDARD TUBE

Code: RB91-0260-000490 - US ONLY
 RB91-0260-000580 - AU ONLY
 OD: 60mm [2.36"]
 Length: 4.87m (16 ft), 5.8m (19 ft)



S60 | 80 HEAVY DUTY TUBE

Code: RB91-0280-000490 - US ONLY
 RB91-0280-000480 - AU ONLY
 RB91-0280-000580 - AU ONLY
 OD: 80mm [3.15"]
 Length: 4.87m (16 ft), 4.8m (15.7 ft),
 5.8m (19 ft)