

EASY-LINK

FEATURES & BENEFITS

- Control multiple shades simultaneously.
- Optional adaptor plug allowing for independent shade control, if required.
- Minimal 17mm light gap between shades.
- Roller bearing ensures quiet & smooth operation.



MOUNTING SOLUTIONS

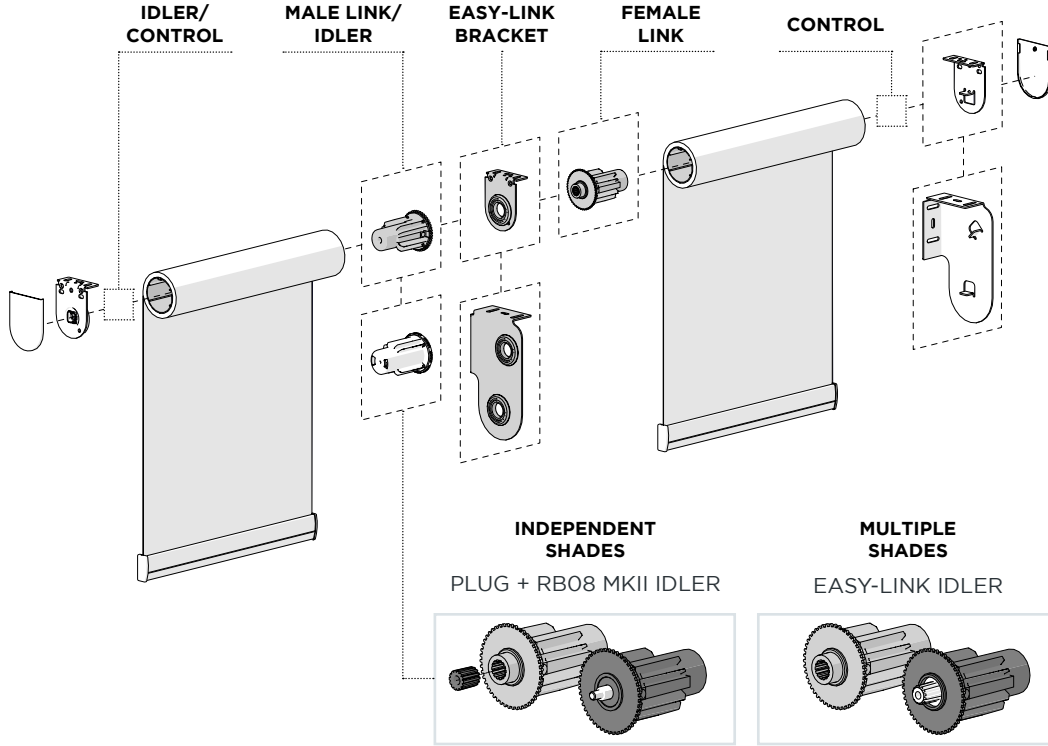


COLOUR RANGE

- black
- pure white
- sandstone
- barley
- silver grey

WEBSITE LINK

SYSTEM UPGRADES



10 YEAR WARRANTY

HARDWARE CONTROLS

BRACKETS

TUBES

BOTTOM RAILS

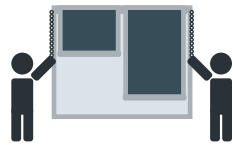
KEY SYSTEM FEATURES

Control multiple shades



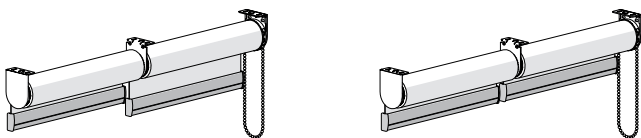
Cost effective control of multiple shades.

Independent shades



Control each shade independently.

Bottom Rail alignment



Bottom Rail alignment can be adjusted during installation.

TECHNICAL DATA

MAX WEIGHT OF SYSTEM AFTER 1ST LINK

TUBES	STD	HD
S40	15.5kg	15.3kg

TUBES	LT	STD	HD
S45	14.1kg	13.9kg	12.5kg

Max torque of Easy-Link connection is 3Nm.

EASY-LINK SHADE WIDTH

