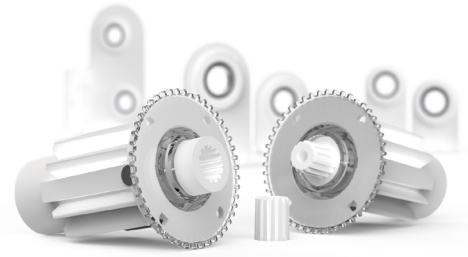


# EASY-LINK

## FEATURES & BENEFITS

- Control multiple shades simultaneously.
- Optional adaptor plug allowing for independent shade control, if required.
- Minimal 17mm light gap between shades.
- Roller bearing ensures quiet & smooth operation.



## MOUNTING SOLUTIONS

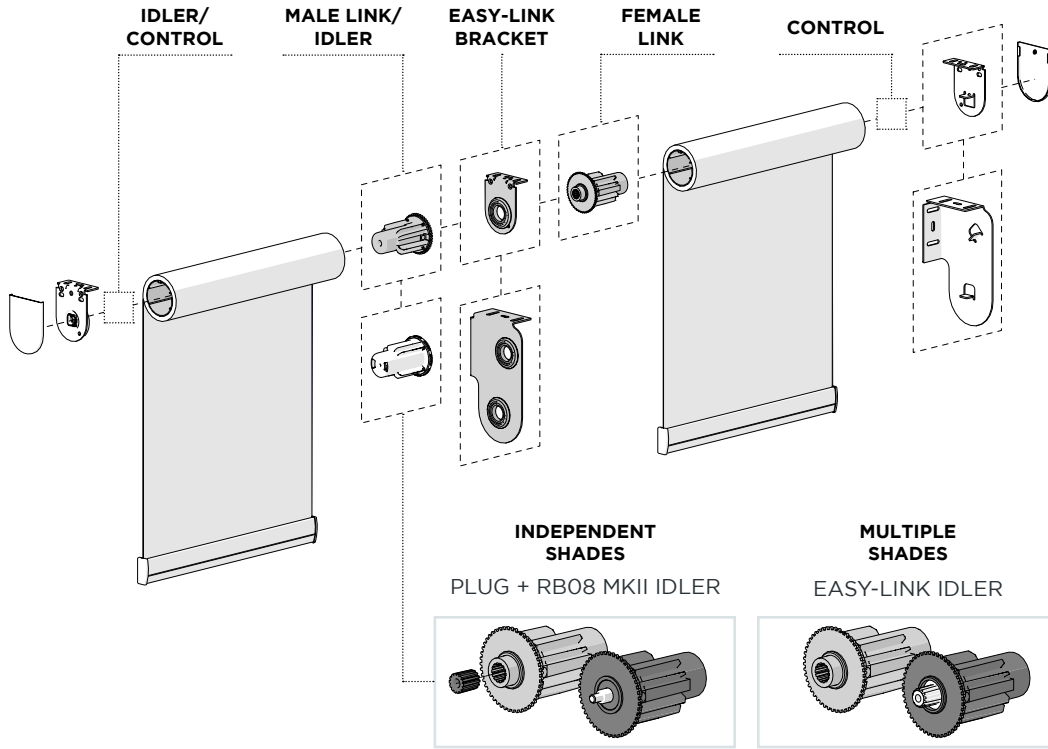


**COLOUR RANGE**

- black
- pure white
- sandstone
- barley
- silver grey

**WEBPAGE LINK**

**SYSTEM UPGRADES**



**10 YEAR WARRANTY**

**HARDWARE CONTROLS**

BRACKETS

TUBES

BOTTOM RAILS

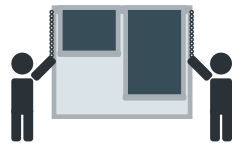
## SYSTEM FEATURES

### MULTIPLE SHADES



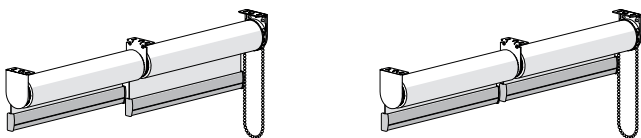
Cost effective control of multiple shades.

### INDEPENDENT SHADES



Control each shade independently.

### BOTTOM RAIL ALIGNMENT



Bottom Rail alignment can be adjusted during installation.

## TECHNICAL DATA

### MAX WEIGHT OF SYSTEM AFTER 1ST LINK

TUBES	STD	HD
S40	15.5kg	15.3kg

TUBES	LT	STD	HD
S45	14.1kg	13.9kg	12.5kg

**Max torque of Easy-Link connection is 3Nm.**

### EASY-LINK SHADE WIDTH

