

EASY-LINK™ SYSTEM

The Rollease Acmeda Easy-Link™ system was designed to allow for multiple blinds to be controlled using a single motor or chain control operation. Achieving minimal gaps between each blind, the Easy-Link™ system provides the perfect addition to the Easy-Lock range when linking blinds.

AESTHETIC FEATURES

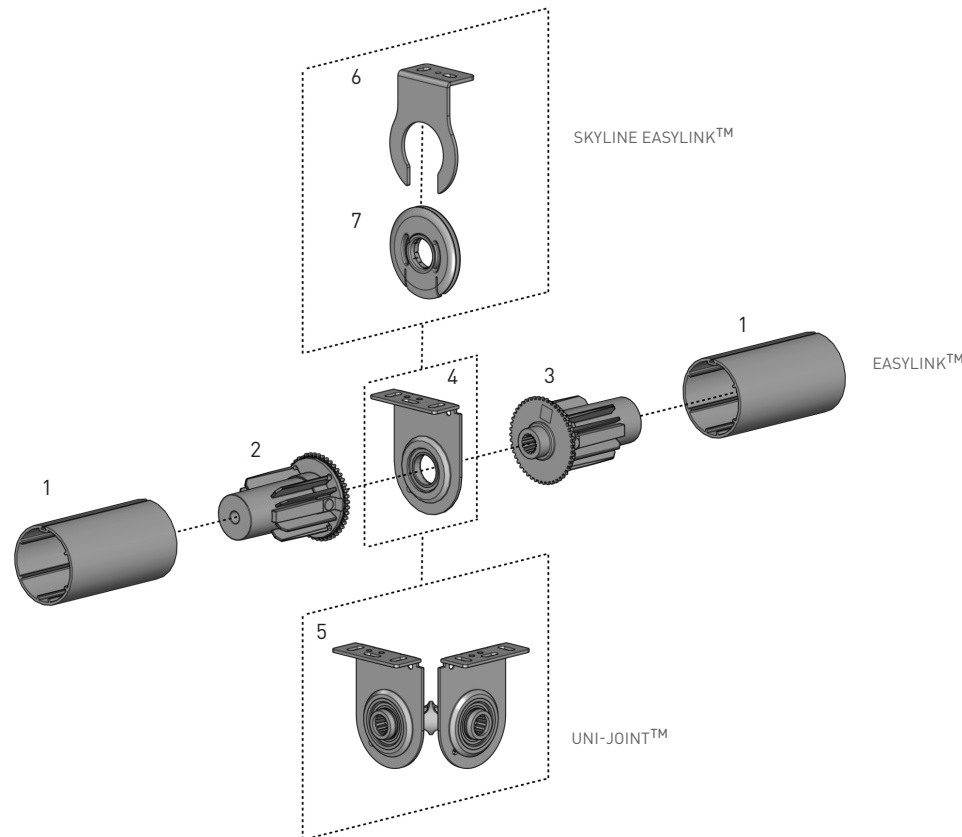
- Colour coded components.

ASSEMBLY / INSTALLATION BENEFITS

- Compatible with Easy-Lock system.
- Individual blind level adjustment post installation without any disassembly.
- Unique retractable male & female adapters comprising of glass filled nylon 14 step symmetrical adjustment.

FUNCTIONAL BENEFITS

- Optional standard End/Idler Plug adapter allows banded blinds to be controlled independently.
- Bearing ensures a quiet & smooth operation.
- Reduced number of controls required.

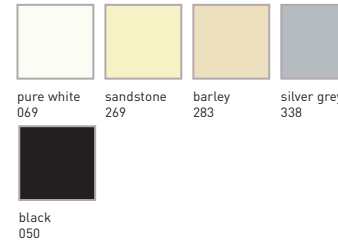


EASY-LINK™ / UNI-JOINT™

SYSTEM INDEX

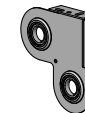
1	Aluminium Tube - S40 / S45
2	Easy-Link™ Int Male Drive RB41-1002-xxx040 - S40 RB41-1002-xxx045 - S45
3	Easy-Link™ Int Female Drive RB41-1001-xxx040 - S40 RB41-1001-xxx045 - S45
4	Easy-Link™ Int Bearing Bracket RB41-0311-xxx0## - AX [40 or 55mm] RB41-0353-xxx0## - LX [40 or 55mm]
5	Easy-Link™ Uni-Joint Bearing Bracket RB41-4553-xxx0## - LX 45° [40 or 55mm] RB41-9053-xxx0## - LX 90° [40 or 55mm]

COLOUR RANGE



SYSTEM OPTIONS

COMBO SQUARE BRACKET



CONTROL OPTIONS

CHAIN CONTROL SYSTEM S40/S45



MOTORISED SYSTEM S45



CRANK GEAR SYSTEM S45



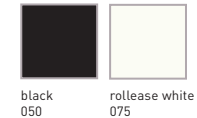
SKYLINE EASY-LINK™

SYSTEM INDEX

1	Aluminium Tube - 38/50mm (1.5/2")
2	Skyline Easy-Link™ Int Male Drive RB41-1002-xxx038
3	Skyline Easy-Link™ Int Female Drive RB41-1001-xxx038
6	Easy-Link™ Skyline Bracket RB41-0321-xxx038 - 38mm (1.5") RB41-0321-xxx050 - 50mm (2.0")
7	Skyline Easy-Link™ Bracket Disk + Bearing RB41-0502-xxx000

xxx= colour ## = size

COLOUR RANGE



SYSTEM OPTIONS

DOUBLE V-SLIM BRACKET

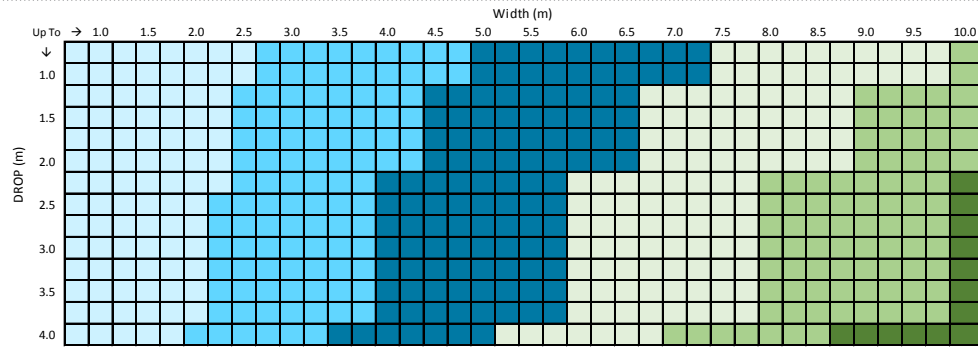


CONTROL OPTIONS

CHAIN CONTROL SYSTEM



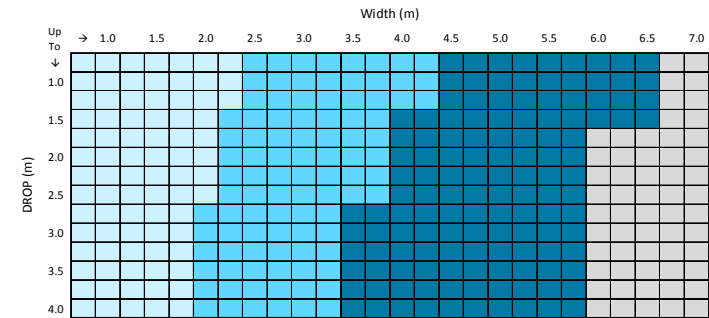
SYSTEM CAPACITY CHARTS - EASY-LINK™



MINIMUM NUMBER OF LINKS	
N/A	3
1	4
2	5

Parameters
 Tube: S45 Light, Fabric Density: 420gsm, Fabric Thickness: 0.6mm, Weight Bar: D30 Bottom Rail
 *This chart indicates the maximum blind width/drop where the Easy-Link system is to be installed. The chart does not take into consideration the control system capacity; please read in conjunction with the nominated control system capacity chart.

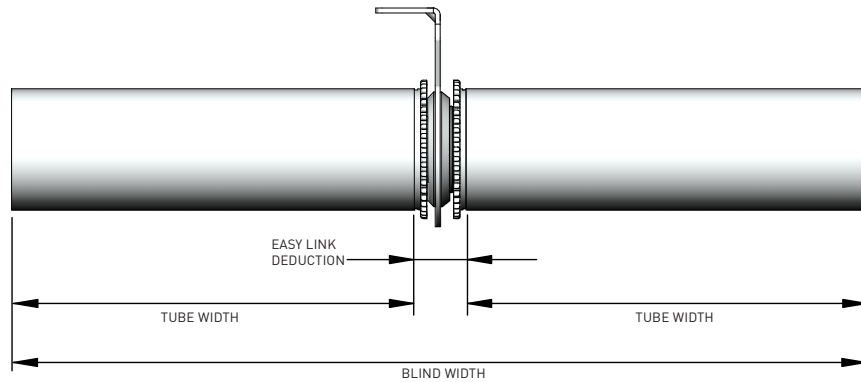
SYSTEM CAPACITY CHARTS - SKYLINE EASY-LINK™



MINIMUM NUMBER OF LINKS	
N/A	
1	
2	
OUTSIDE SPECIFICATION	

Parameters
 Tube: RTEA4 38mm [1.5"], Fabric Density: 420gsm, Fabric Thickness: 0.6mm, Weight Bar: D30 Bottom Rail
 *This chart indicates the maximum blind width/drop where the Easy-Link system is to be installed. The chart does not take into consideration the control system capacity; please read in conjunction with the nominated control system capacity chart.

DEDUCTIONS

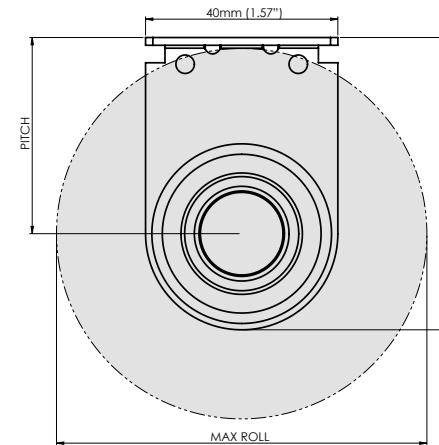


	EASY-LINK	SKYLINE EASY-LINK
EASY-LINK DEDUCTION	17mm [0.67"]	19mm [0.75"]

- UNI-LINK, REFER TO MANUAL

MAX ROLL/DIMENSIONS

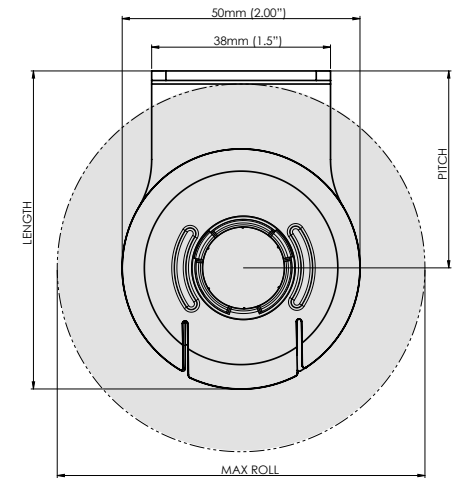
S40/45 EASY-LINK



BRACKET	RB41-0311/0353-xxx040	RB41-0311/0353-xxx055
Pitch	40mm [1.57"]	55mm [2.17"]
Length	60mm [2.36"]	75mm [2.95"]
Max. Roll	77mm [3.00"]	105mm [4.10"]

- UNI-LINK, REFER TO MANUAL

SKYLINE EASY-LINK



BRACKET	RB41-0321-xxx038	RB41-0311-xxx050
Pitch	41mm [1.60"]	55mm [2.17"]
Length	67mm [2.64"]	80mm [3.15"]
Max. Roll	76mm [3.00"]	102mm [4.00"]