

SKYLINE EASY-LINK ASSEMBLY MANUAL



December 2016

CONTENTS

December 2016

This manual is to be read in conjunction with the Product Specifications manual

SECTION NO.	DESCRIPTION	PAGE NO.
SECTION 1 – TOOLS AND ADDITIONAL ITEMS REQUIRED		1.1
SECTION 2 – SYSTEM DETAILS		2.1
	PART A – OVERVIEW	2.1
	PART B – DEDUCTIONS	2.2
	PART C – BOM & CUTTING LIST	2.2
SECTION 3 ASSEMBLY		3.3
	PART A – ASSEMBLING TUBE	3.3
	PART B – PREPARE & PACK ASSEMBLIES READY FOR TRANSPORTATION & INSTALLATION	3.5

DISCLAIMER

INTRODUCTION

This product specifications manual has been produced by Rollease Acmeda to supply the necessary information for safe and correct assembly and installation of this system.

DISCLAIMER

Rollease Acmeda has used reasonable care in preparing the information included in this document, but makes no representations or warranties as to the completeness or accuracy of the information. Information is supplied upon the condition that the persons receiving the information will make their own determination as to its suitability for their purposes prior to use. Rollease Acmeda assumes no liability whatsoever for any damages incurred by you resulting from errors in or omissions from the information included herein. Rollease Acmeda reserves the right to make changes without further notice to any products to improve reliability, function or design.

COPYRIGHT

COPYRIGHT © ROLLEASE ACMEDA 2016

All rights reserved. No part of this document may be reproduced or utilised in any means, by any means, electronic or mechanical including photocopying, recordings, or by any information storage or retrieval system, without the express permission from Rollease Acmeda.

SECTION 1 – TOOLS AND ADDITIONAL ITEMS REQUIRED

TOOLS REQUIRED

- Saw
- Drill
- Drill Bits
- Screw Driver – Phillips Head, Flat Head
- Scissors
- Measuring Tape
- Pencil

ADDITIONAL ITEMS REQUIRED (NOT SUPPLIED)

To assemble a SKYLINE EASY-LINK, the following non-stocked items are required:

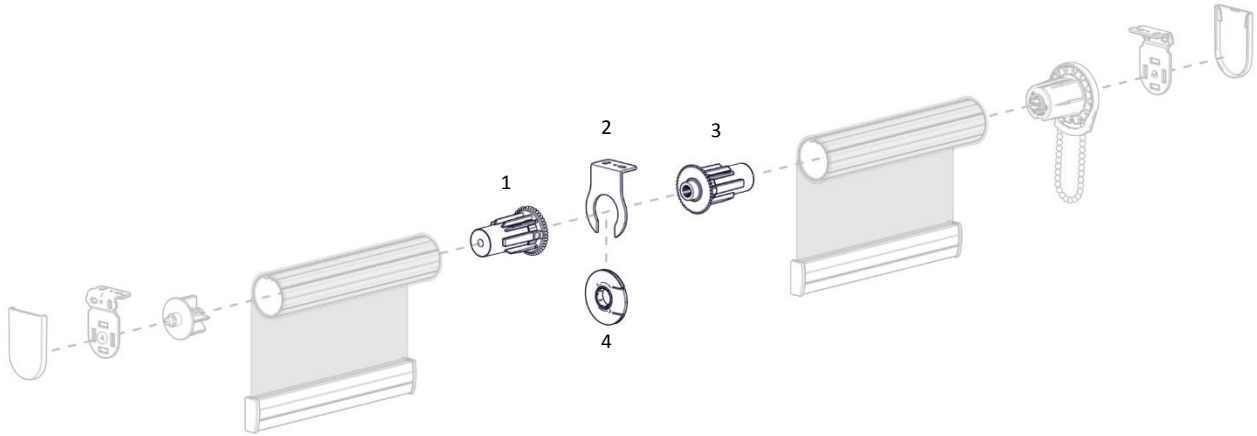
- Fabric

SECTION 2 – SYSTEM DETAILS

PART A – OVERVIEW

SKYLINE EASY-LINK

The Rollease Acmeda Skyline Easy-Link™ system was designed to allow for multiple blinds to be controlled using a single motor control operation. Achieving minimal gaps between each blind, the Skyline Easy-Link™ system provides the perfect solution for linking roller blinds.

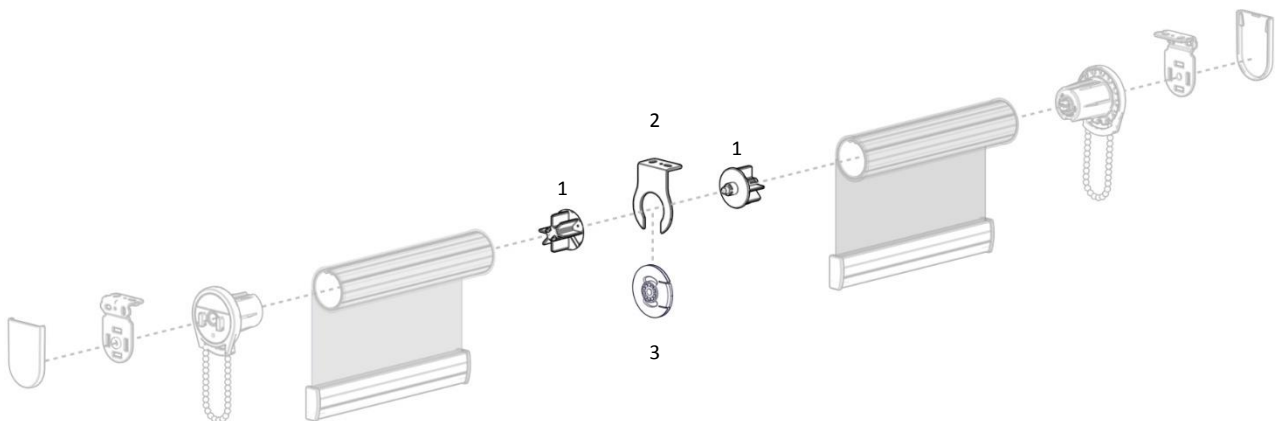


SYSTEM INDEX

1. Medium Easy-Link Intermediate Male Drive
2. Medium Link Skyline Bracket
3. Medium Easy-Link Intermediate Female Drive
4. Medium Multi-Link Bracket Disk & Bearing

SKYLINE EASY-LINK | DUAL CONTROL

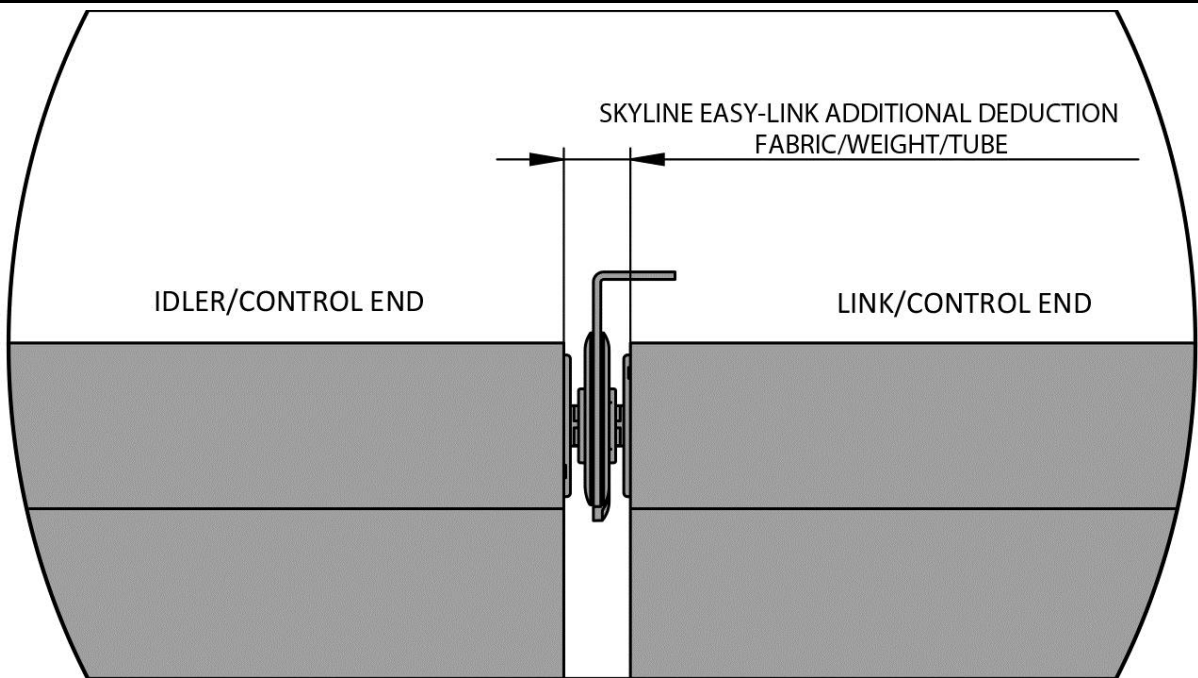
The Rollease Acmeda Skyline Easy-Link™ system combined with the Pin to Pin Disk allows for multiple controls to be used on a single installation allowing for maximum user customisation.



SYSTEM INDEX

1. Skyline Pin End
2. Medium Link Skyline Bracket
3. Medium Link Bracket Disk Pin to Pin

PART B – DEDUCTIONS



FABRIC/TUBE LIGHT GAP		
	SKYLINE EASY LINK	PIN TO PIN
EASY-LINK	19mm (0.75")	19mm (0.75")

PART C – BOM & CUTTING LIST

SKYLINE EASY-LINK

PART NUMBER	DESCRIPTION	U.O.M	QTY	DEDUCTION
-------------	-------------	-------	-----	-----------

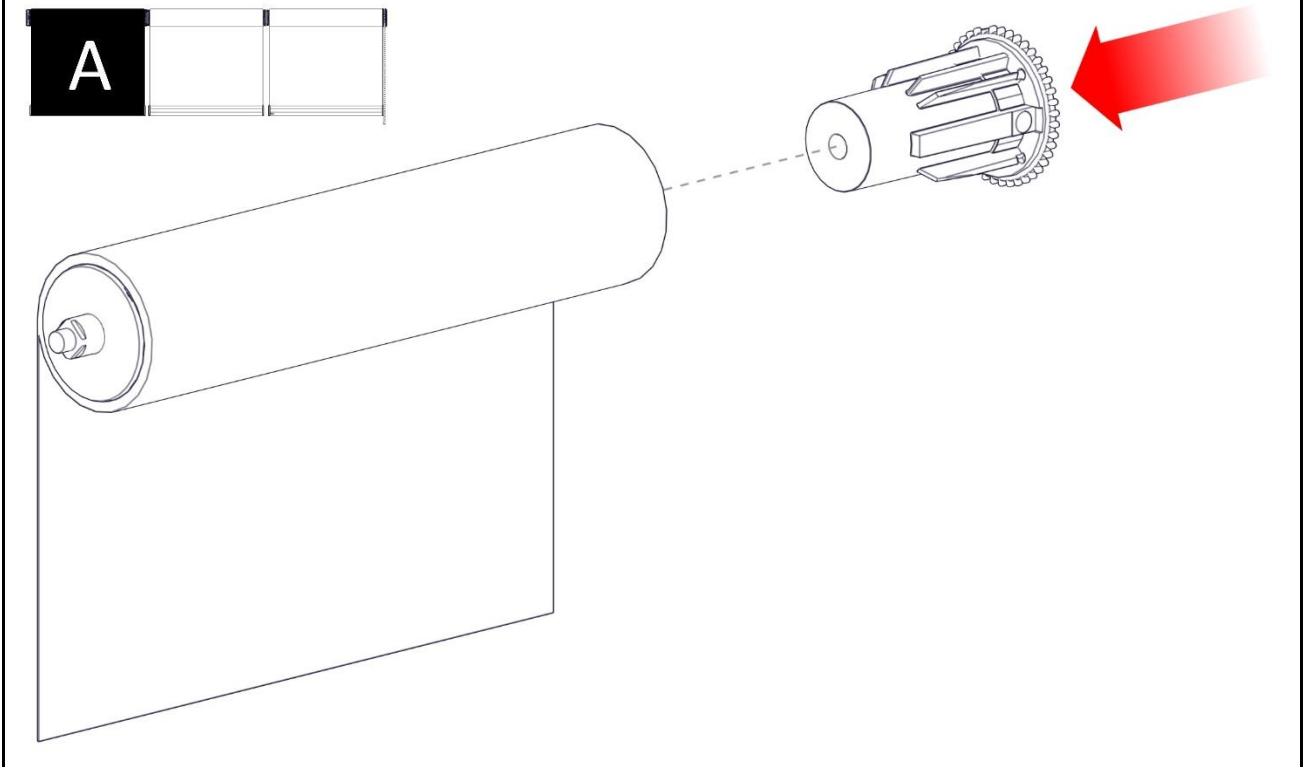
SKYLINE EASY-LINK OPTIONS	BRACKETS	RB41-0321-XXX038	Medium Link Skyline Bracket Narrow 38mm	Piece	n	
		RB41-0321-XXX050	Medium Link Skyline Bracket Narrow 50mm	Piece		
		RB41-0332-XXX060	Medium Link Skyline Bracket Double V Slim	Piece		
		RB41-0331-XXX075	Medium Link Fascia Bracket	Piece		
		RB41-0502-XXX000	Medium Easy-Link Bracket Disk + Bearing	Piece		
		RB41-0503-XXX000	Medium Link Bracket Disk Pin to Pin	Piece		
	DRIVES	RB41-1001-XXX038	Medium Easy-Link Intermediate Male Drive	Set	1 x n	
		RB41-1002-XXX038	Medium Easy-Link Intermediate Female Drive	Set	1 x n	

NOTE: n = number of Skyline Easy-Link Brackets required for installation

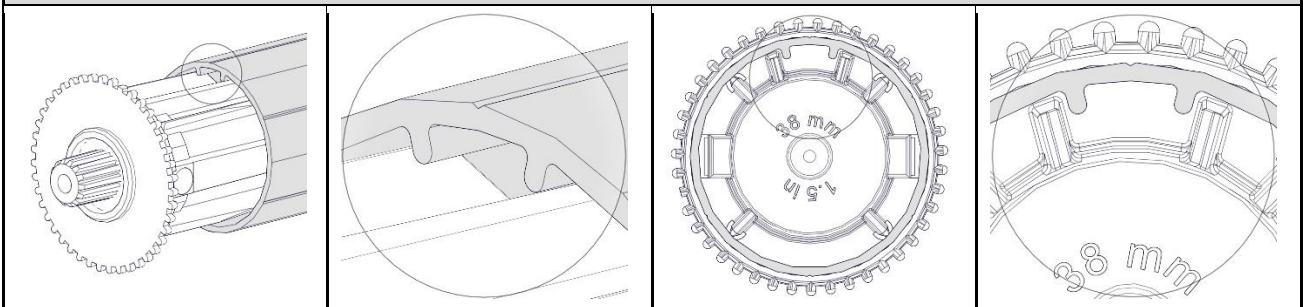
SECTION 3 ASSEMBLY

PART A – ASSEMBLING TUBE

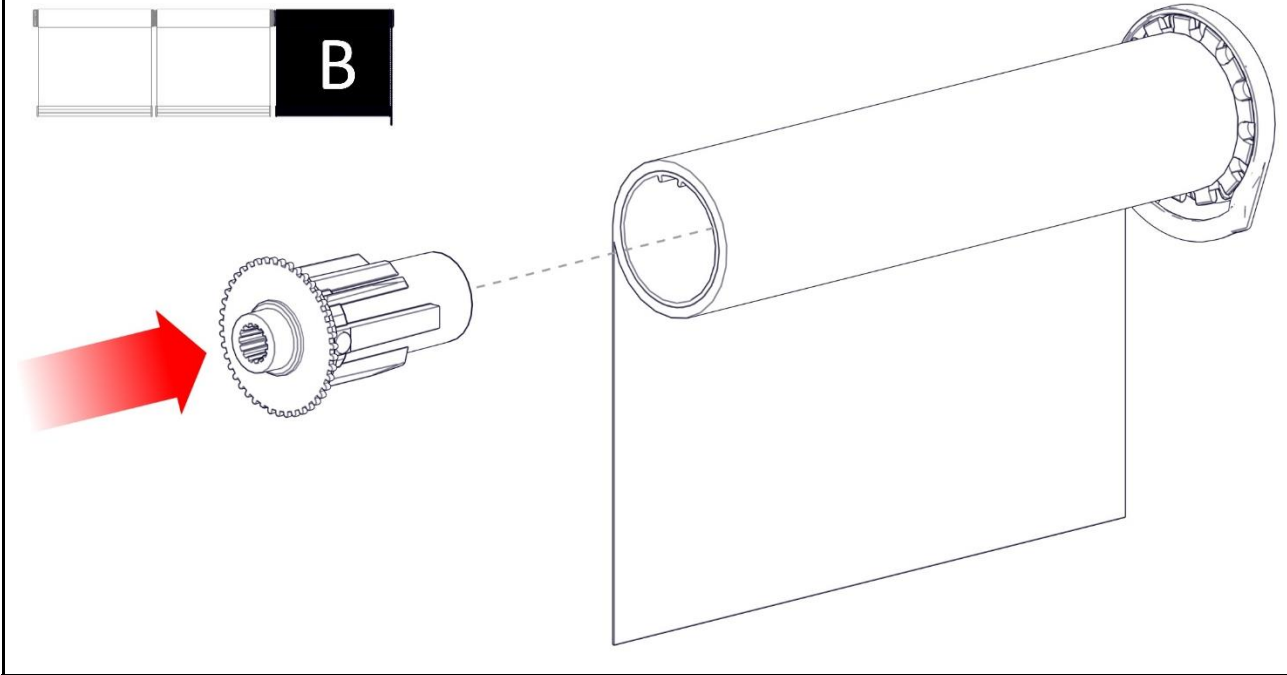
STEP 1 – INSERT INTERMEDIATE MALE SKYLINE EASY-LINK DRIVE INTO BLIND “A”



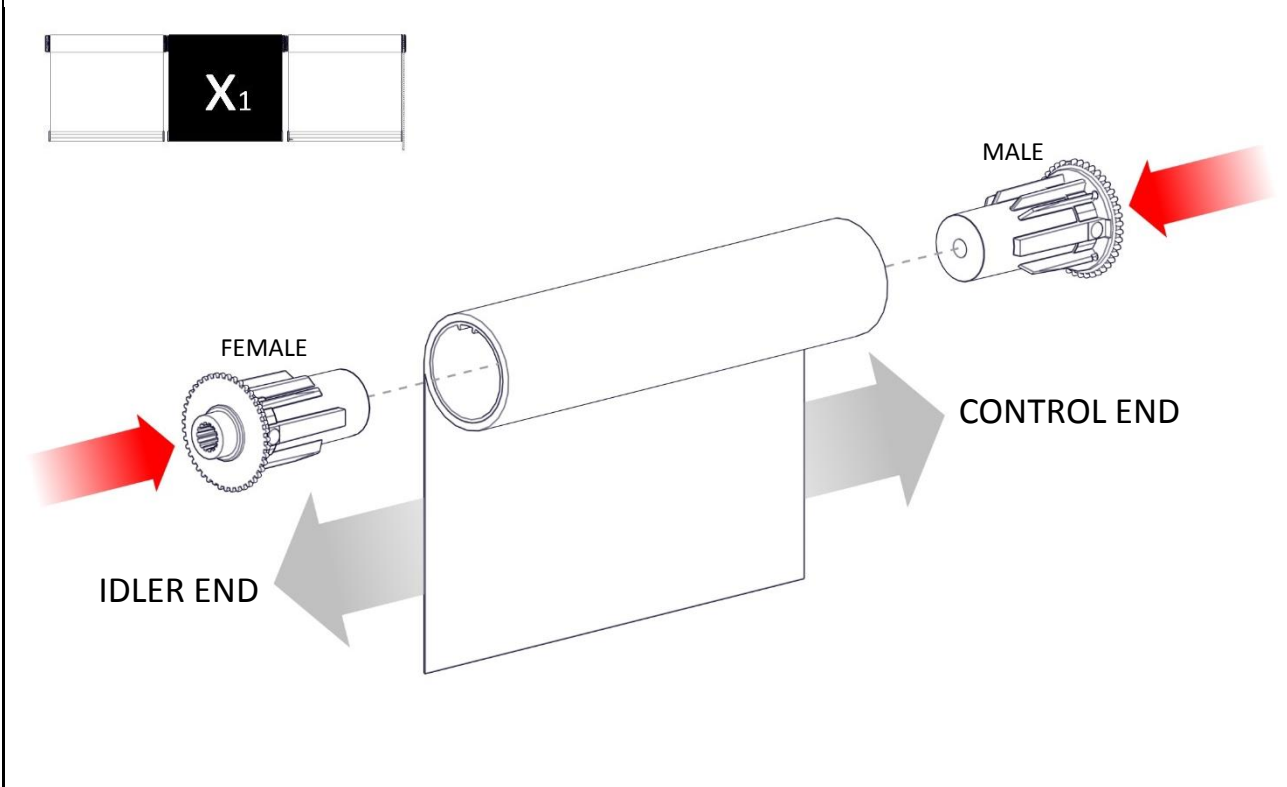
NOTE: THE FINS ON ALL DRIVE UNITS SHOULD BE ALIGNED OUTSIDE THE FINS IN THE TUBE



STEP 2 – INSERT INTERMEDIATE FEMALE SKYLINE EASY-LINK DRIVE INTO BLIND “B”



STEP 3 – INSERT INTERMEDIATE MALE & FEMALE SKYLINE EASY-LINK DRIVES INTO BLIND “X” (WHEN USING 3+ BLINDS)



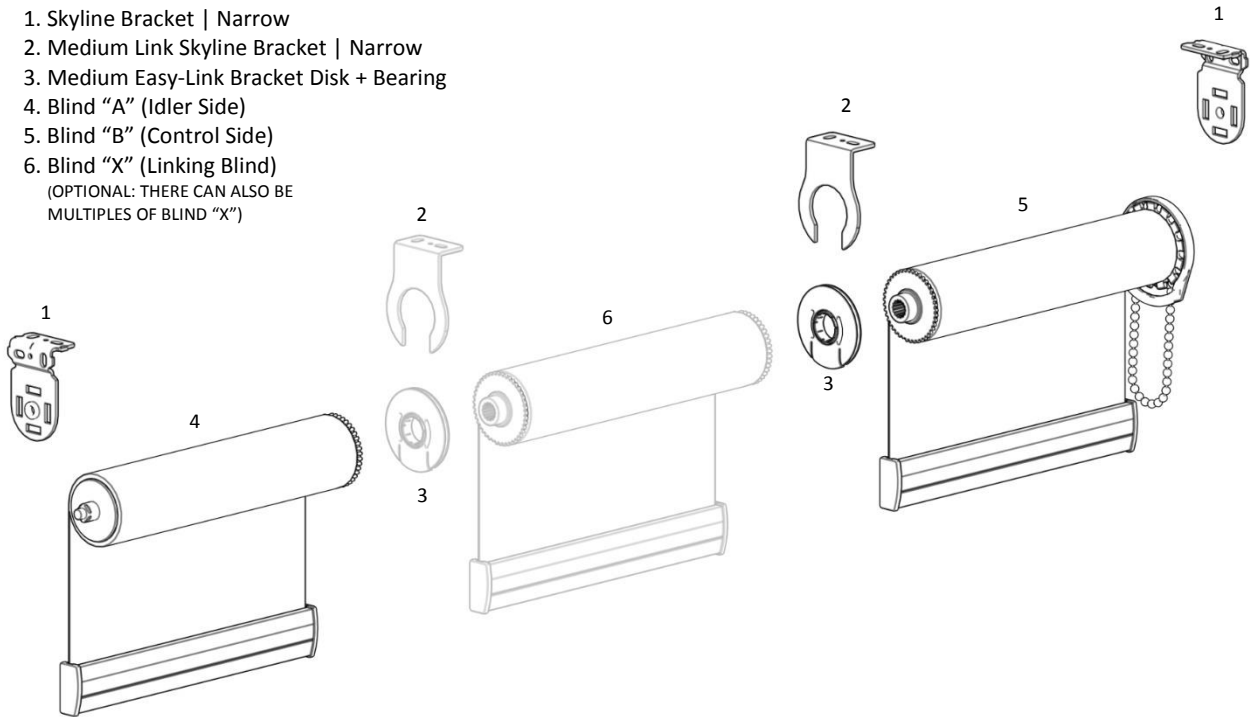
NOTE: Repeat step 3 for each Blind “X” being used

PART B – PREPARE & PACK ASSEMBLIES READY FOR TRANSPORTATION & INSTALLATION

SKYLINE EASY-LINK

Check you have all blind items;

1. Skyline Bracket | Narrow
2. Medium Link Skyline Bracket | Narrow
3. Medium Easy-Link Bracket Disk + Bearing
4. Blind "A" (Idler Side)
5. Blind "B" (Control Side)
6. Blind "X" (Linking Blind)
(OPTIONAL: THERE CAN ALSO BE MULTIPLES OF BLIND "X")



SKYLINE EASY-LINK | DUAL CONTROL

Check you have all blind items;

1. Skyline Bracket | Narrow
2. Medium Link Skyline Bracket | Narrow
3. Medium Link Bracket Disk Pin to Pin
4. Medium Easy-Link Bracket Disk + Bearing
5. Blind "A" (Left Control)
6. Blind "B" (Right Control)
7. Blind "X" (Linking Blind)

