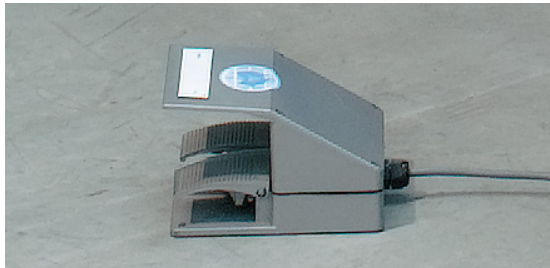
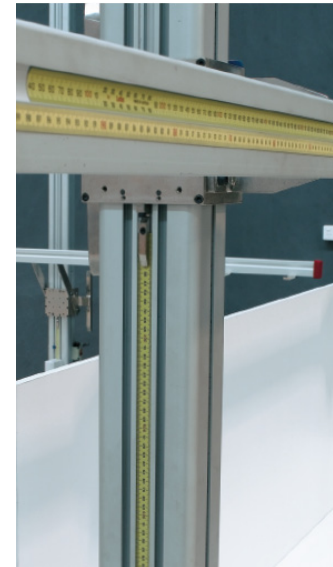


## DOUBLE PILLAR TEST HOIST 200|SERIES.



ACMEDA  
110 Northcorp Boulevard,  
Broadmeadows VIC 3047  
Australia.  
T +61 3 9355 0100  
F +61 3 9355 0110  
australia@acmeda.com



## CONGRATULATIONS

***ON YOUR DECISION TO PURCHASE A HIGH QUALITY  
PRODUCT FROM ACMEDA!***

*Acmeda Australia takes this opportunity to congratulate you on your decision to use one of the finest products from the industry leader.*

*We thank you for your support and look forward for more support in the future to provide better service and products by exceeding your high expectations.*

TOPICS	Page No.
INTENDED PURPOSE	4
TECHNICAL SPECIFICATIONS	5
GENERAL DESCRIPTION	6
INSTALLATION AND OPERATION	7
OPERATOR TRAINING / MAINTENANCE	8

This product has been designed, developed and constructed to be used in the manufacturing industry by the windows blind manufacturers. Testing the blinds is one of main process requirements of the blinds manufacturing, it is intended that this product should be used to perform quality testing of the blinds by the blind manufacturers or similar application.

Product design and construction is strongly based upon the safety. The risks have been minimised to the lowest possible levels. Greater responsibility of safety relies on the operators and owners. At any stage the load limit must not exceed 40kgs, as the machine is rated with a SWL (Safe Working Load) of 40kg. It is intended to be operated by one operator only. Machine must be placed in an isolated area, free from accidental intervention of any mobile equipment or personnel.

It is intended that while operating the machine operator must operate from a safe working zone. Operator can move closer to the machine only when machine is completely halted. This machine is intended to be operated by the foot pedal switch. It is intended that the machine is to be placed in a reasonably clean environment and surroundings must be cleaned at regular intervals. It is intended that the operator should be trained and is aware of the limitations of the machine.

## SPECIFICATIONS

### Dimensions :

Height: 5.0mt

Width: 6.0mt

Depth: 0.5mt

### Blind Width Capacity:

Roller Blinds: 5.8mt

Venetian Blinds: 5.8mt

### Overall Drop Capacity:

4.7mt to floor

### Operating Speed:

4 seconds per meter

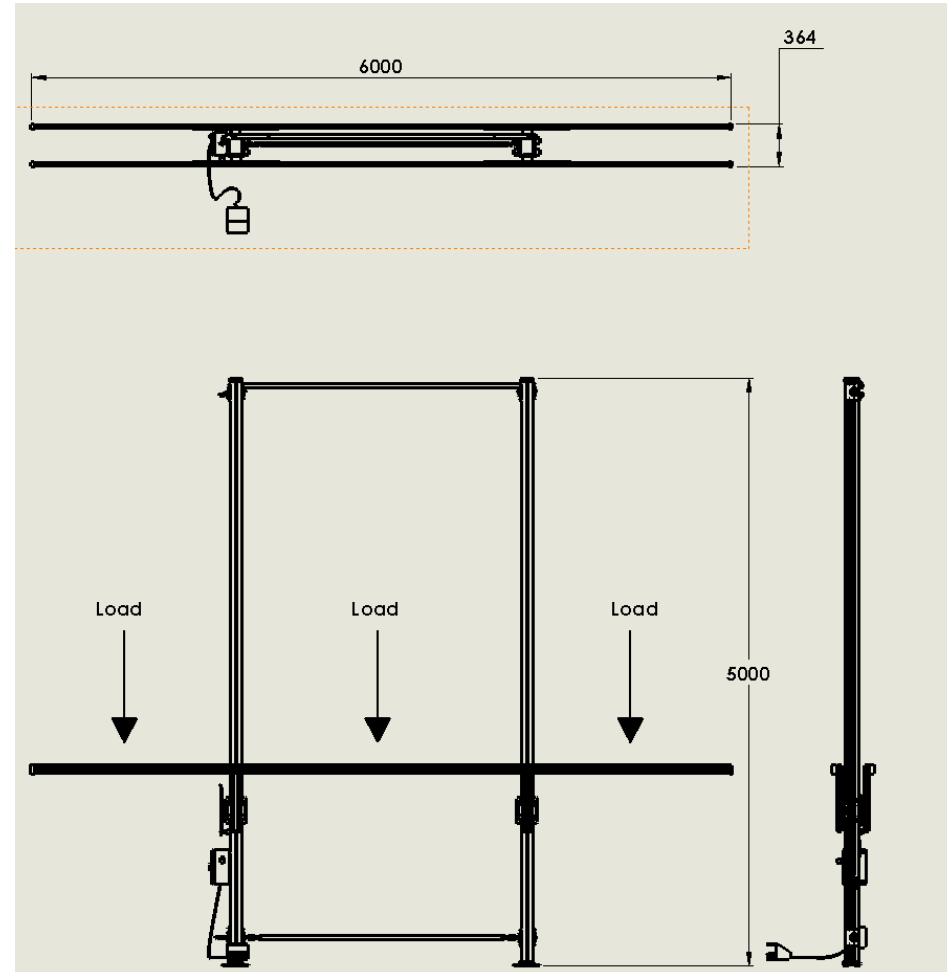
### Power Requirements:

110V - 60Hz

### SWL (Safe Working Load):

40kg (88 pounds) Balanced load (on each cross bar).

It is strongly recommended to avoid unbalanced loading on each cross bar.



Machine components can be classified into following groups,

1. Mechanical
2. Electrical.

Machine is constructed by extruded aluminium profiles and and steel components, where appropriate plastic and other softer materials are used.

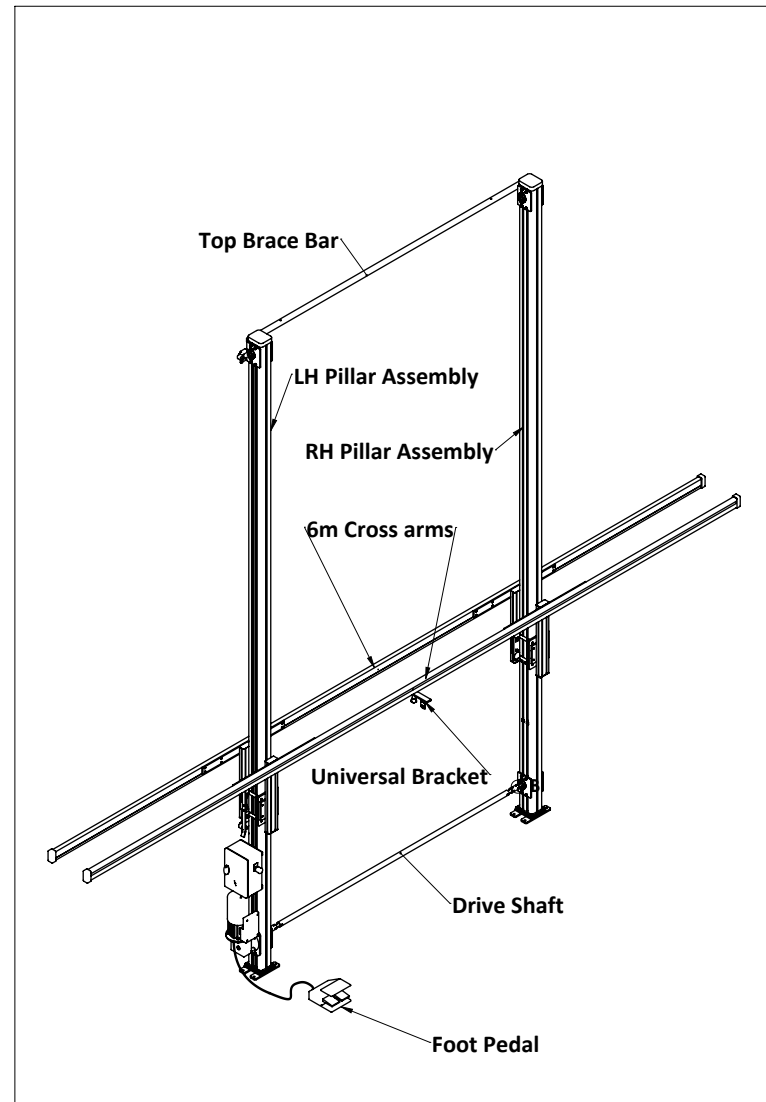
Electrical components are well tried out and highly reputed international brand manufacturers and suppliers.

The machine is fixed to the floor.

Using 'Top brace bar', machine is supported to either wall or to the roof.

Machine is operated mainly from the foot pedal. Foot pedal has a hood protecting the pedals. There is a left and a right foot pedal. One pedal needs to be pressed at a time. one pedal moves the 'Cross Arm' up while the other pedal moves it down.

Universal brackets hold the blinds, these brackets are adjustable to any desired position within the 'Cross Arm' Limits.



## Installation:

Machine must be installed as per the installation manual if in doubt please contact Acmeda.

If any relocation is required, before taking any action, please contact Acmeda for guidance on uninstallation, transportation and re-installation at a new location.

**Note:** Around the machine 1metre of space must be set free. Barriers must be set around the machine preventing accidental intervention of any mobile equipment such as fork lifts. Persons must not be allowed to move in this region, particularly during the movement of the 'Cross Arm' .

## Operation:

Ensure power is connected to the main power supply, emergency switch is released and main switch is turned on.

Stand in front of the machine at a safe distance and using the foot pedal lower the 'Cross Arm' to the loading level.

Slide the 'Universal Brackets, by unlocking the star knob, to the desired position.

Load the blind in between the 'Universal Brackets'.

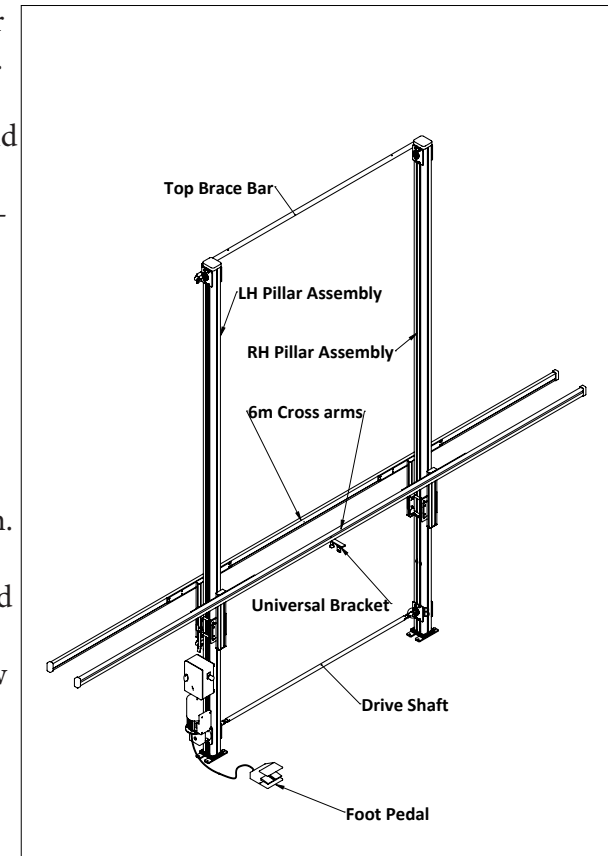
Using the 'Foot Pedal' raise the 'Cross Arm' to desired height and the blind could be tested.

On completion of the testing lower the 'Cross Arm' and remove the blinds. Now ready to load the next blind.

## WARNING:

Care must be taken to ensure that there are no obstructions to stop the 'Cross Arm'.

Donot allow any person to stay under or near 'Cross Arm' while operating the machine.



### OPERATOR TRAINING:

- Operator training should include following where operator must,
  - Understand the danger zones around the machine and work from safe working zone.
  - Familiarise with controls of the machine (On/Off Main switch, Emergency Stop, Foot pedal operation)
  - Understand the limitations (Loading height, maximum lift height, maximum load carrying capacity)
  - Keep the machine and surroundings clean at all times.
  - Look for safety warnings such as unusual sounds, physical damages, unusual wear and tear etc.

### MAINTENANCE:

This machine is maintenance free and apart from regular servicing there is no need for any other maintenance, however following care must be taken;

Machine surroundings must be kept clean.

Machine must be cleaned atleast once during the begining or ending of the working shift.

Main must be switched off, while machine is not in use.

It is from our past experience and customer feed back, we have identified that this machine is maintenance free and does not require replacing of any parts for a long time, however if any reasons if the parts need to be replaced please contact Acmeda.

Chains are sprayed with dry film lubricant, this dries on the surface and forms clean lubricated surface, due to which eliminates the need any lubrication, however if any lubrication requirement is detected contact Acmeda.

It is strongly recommended to service the machine once in every 18 months.

Servicing must be carried out by Acmeda personnel only.

Once in every six months check for the slackness of the chains visually (can be seen from the rear side of the machine), if the chain slackness appears to be too high or noisy, immediately contact Acmeda for further instructions.