

OVERVIEW: EXTERNAL WIRE GUIDE SYSTEM

The Acmeda External Wire Guide system has been redeveloped to integrate with the popular Zipscreen system. Utilising the same two piece square headbox, one piece weight bar, S60 tubes & controls ensures less stock holding for external blind manufacturers. The system also incorporates durable stainless steel and corrosion resistant hardware and componentry.

AESTHETIC FEATURES

- Neat minimal overall design aesthetics.
- Optional square box to conceal system mechanisms.
- External grade stainless steel & zinc plated components.

ASSEMBLY / INSTALLATION BENEFITS

- Tensioning can be easily adjusted after blind installation.
- Pre-swaged adjustable bottom terminal for faster installation.
- Easy fit swageless top termination for various drop sizes.
- Easy assembly.

FUNCTIONAL BENEFITS

- Choice of wall or floor mounting components.
- Integrated auto-adjust weight bar end cap.
- Wire cable guiding blind & reducing weight bar movement.
- Choice of Standard and Heavy Duty F52 Weight bars.
- Full blind drop achievable with floor fix wire guide.
- Optional bubble strip available for uneven surfaces.
- Provision for ballast within weight bar.

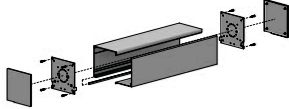
CONTROL OPTIONS

MOTORISED



ADD ON OPTIONS

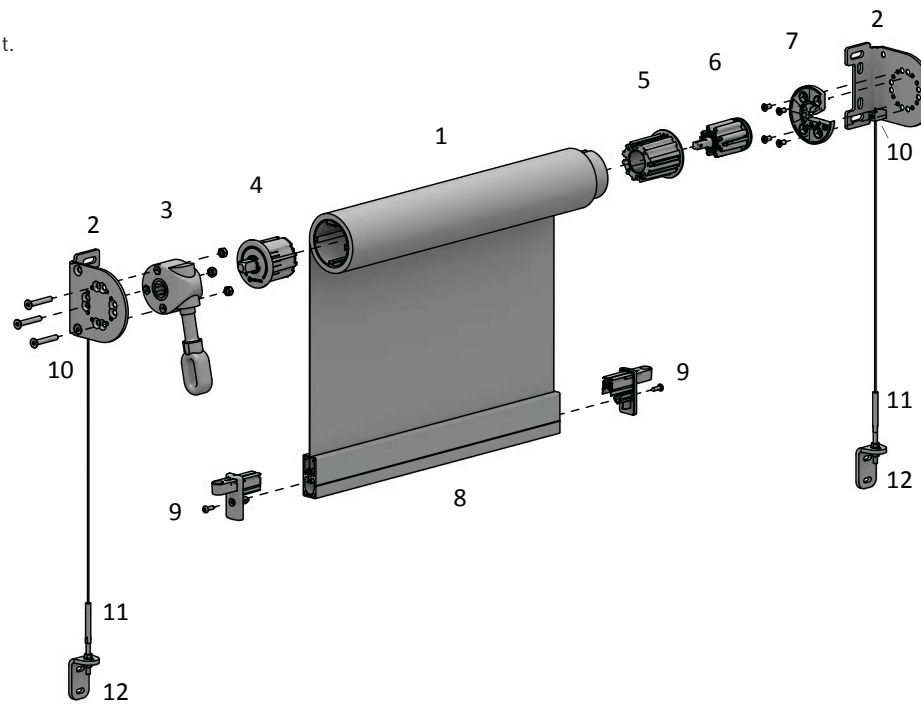
SQUARE BOX 120



COLOUR RANGE



pure white 069	classic cream 295	paperbark 425	anodised 018	asteroid 100	black 050
-------------------	----------------------	------------------	-----------------	-----------------	--------------



SYSTEM INDEX

1	S60 Aluminium Tube RB91-02xx-xxx###
2	External Wire Guide Bracket SB03-1301-xxx060
3	Gear - Extreme [Ratio 9:1] RB05-4013-xxx001
4	Crank Adaptor S60 RB56-4013-xxx060
5	RB10 Tube Adaptor • S60 Tube RB10-6000-xxx0#0
6	RB10 Bearing Idler Head S60 RB10-6200-xxx001
7	RB10 Bearing Idler Head Adaptor S60 RB10-6400-xxx001
8	F52 External Weight Bar SB06-140x-xxx580
9	F52 Wire Guide End Cap SB07-1412-xxx001
10	Swageless Top Fix Terminal RE24-1306-xxx032
11	Swage Adjustable Terminal with 4.2m wire RE24-1312-xx422
12	Wall Mounting Bracket RE24-2203-xxx001

= size

xxx = colour

SYSTEM OPTIONS

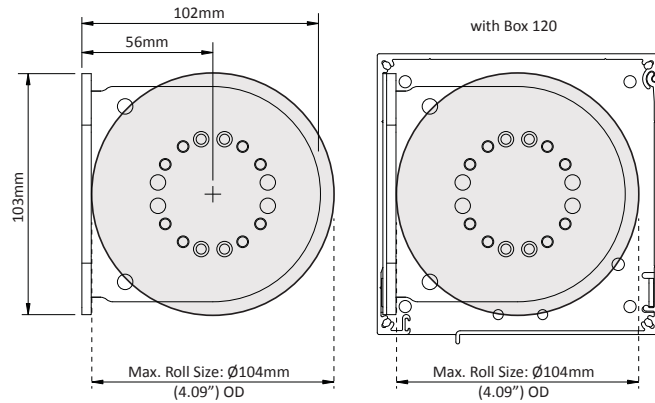
ADJUSTABLE
TURNBUCKLE SET

ROUND EYE PLATE

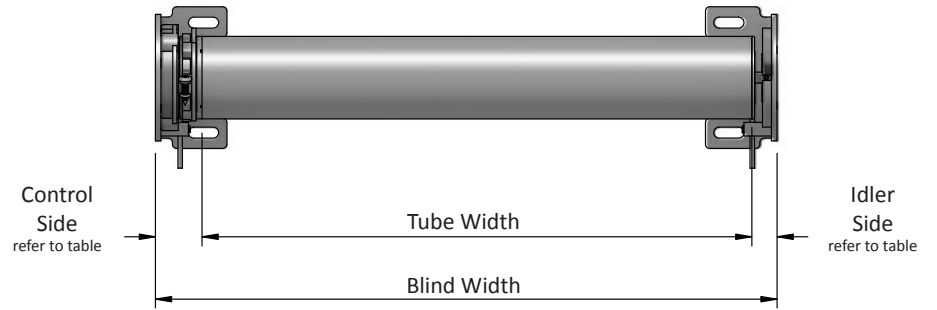


SPECIFICATIONS: EXTERNAL WIRE GUIDE SYSTEM

MAX ROLL



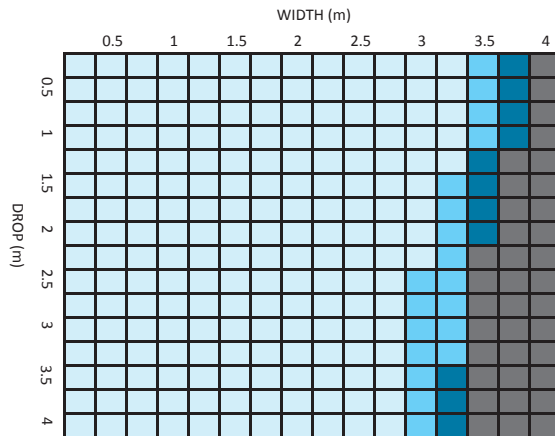
DEDUCTIONS



$Tube\ Width = Blind\ Width - [Control\ Side + Idler\ Side]$

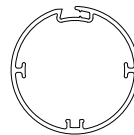
CONTROL TYPE	CONTROL SIDE	IDLER SIDE	OVERALL DEDUCTION
Motor	34mm [1.34"]	18mm [0.71"]	52mm [2.05"]
Gear	45mm [1.77"]	18mm [0.71"]	63mm [2.48"]

SYSTEM CAPACITY



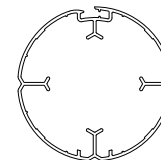
LEGEND	DESCRIPTION
Light Blue	60mm Tube
Medium Blue	80mm Tube Light
Dark Blue	80mm Tube
Grey	Cannot be achieved - outside product specifications

ALUMINIUM TUBES



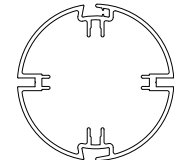
S60 | 60 STANDARD Tube

CODE: RB91-0260-000580
 O.D.: 60mm
 Length: 5.8metres



S60 | 80 LIGHT Tube

CODE: RB93-0282-000580 - 5.8m
 O.D.: 80mm
 Length: 5.8metres



S60 | 80 HEAVY DUTY Tube

CODE: RB91-0280-000480 - 4.8m
 RB91-0280-000580 - 5.8m
 O.D.: 80mm
 Length: 4.8 & 5.8metres