

AUTOMATE VERSA MOTORIZED CURTAIN SYSTEM

The Automate Versa curtain track system is a complete motorised solution offering a soft start/stop function with 3 speed settings, inverted motor mounting choice for specialised applications and is wire-free for effortless installation. This impressive battery powered motor is controlled by our Automate remote controls, is quiet for optimal acoustic comfort and comes complete with a 5 year warranty.

AESTHETICAL FEATURES

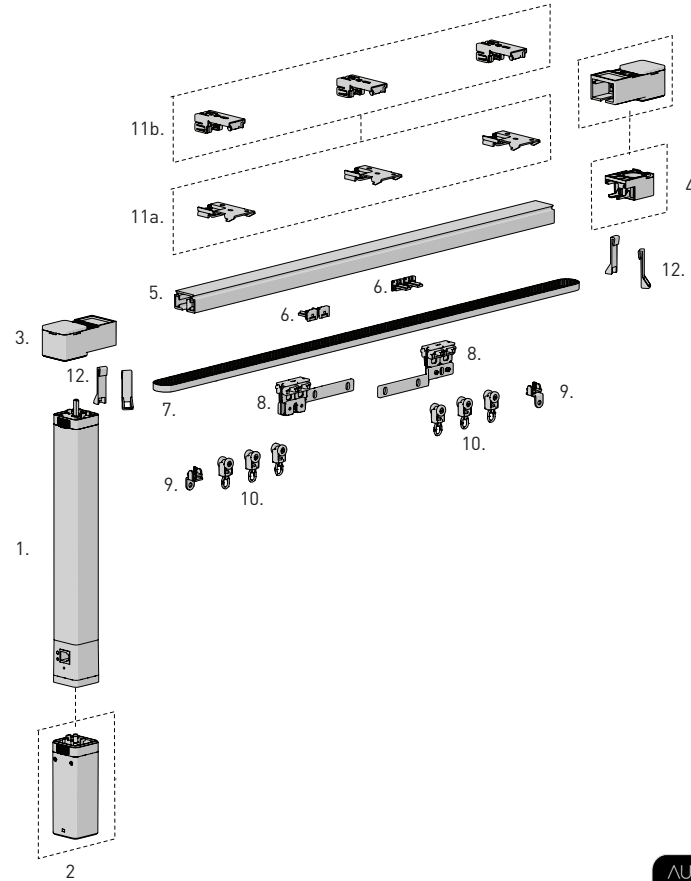
- Slim profile curtain track & motor.
- Track Joiner allowing multiple tracks to be seamlessly linked.
- S-Fold curtain compatible parts for snap tape.

FUNCTIONAL BENEFITS

- Inverted mounting option for ceiling pocket installations.
- Rechargeable lithium-ion battery for effortless installation.
- Centre and one way draw for straight applications.
- Soft open and close auto adjusting speed limits.
- Manual override function to open/close with one light touch.
- Quiet motor.
- 50kg max operating capacity.
- Easy quick fit ceiling fix bracket (NEW).

INSTALLATION/ ASSEMBLY FEATURES

- Easy automatic limit setting.
- Top and Wall Fix installations.
- Double bracket for a two wall mounted curtains configuration.
- Dual day/night curtain functionality.



SYSTEM INDEX

1.	AUTOMATE Versa Drapery Motor MT01-2101-069002
2.	AUTOMATE DRAPERY BATTERY MODULE MT03-0305-069004
3.	Versa Motor End "S" Track Pulley MT03-0401-069004
4.	AUTOMATE Return Pulley "S" Track MT03-0401-069013
5.	Curtain Track CU21-0101-062550
6.	Belt Fastening Button CU21-0301-158001
7.	Rubber Belt MTDR-BELT
8.	Master Carrier CU21-0401-010020
9.	Stopper CU21-0401-010010
10.	Runners CU21-0401-062001
11.	Ceiling Bracket a. CU21-0501-062001 b. MT03-0401-069012 (Ceiling Fix Only)
12.	End Hook CU21-0201-062003

COLOUR RANGE



pure white
069

CONTROL OPTIONS

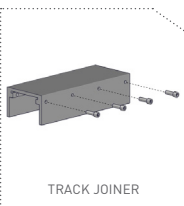
REMOTES



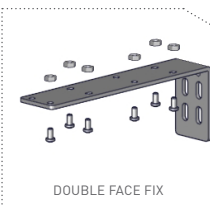
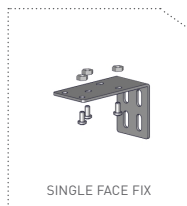
PULSE HUB & APP



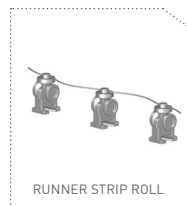
ALTERNATE OPTION



BRACKET OPTIONS

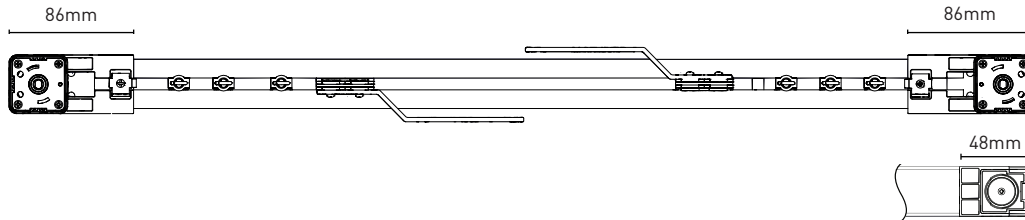


S-FOLD OPTION



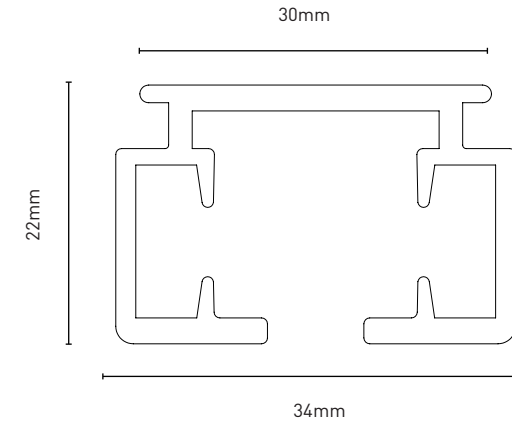
SPECIFICATIONS

DEDUCTION



TRACK DEDUCTION				
CURTAIN TYPE	PULLEY TYPES	DRIVE SIDE	RETURN SIDE	OVERALL DEDUCTION
CENTRE OPEN	DRIVE + DRIVE	59mm	59mm	118mm
ONE WAY	DRIVE + RETURN	59mm	33mm	92mm

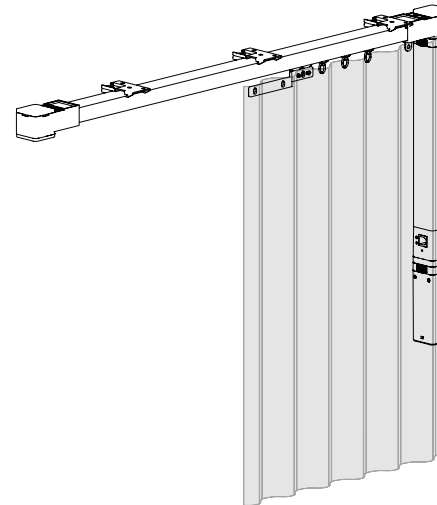
TRACK PROFILE & DIMENSIONS



DRAPE MOTOR SPECIFICATIONS	
Code	MT01-2101-069002
Region	AU/EU/UK
Power Cable Length	2500mm
Voltage Input	100 – 240V 50Hz
Capacity	1.2 Nm @ 120 RPM / 14 cm/s
Running Time	12 min
Max Current	1.3 A
Consumption	20 W
Protection class	IP40
Frequency	433.92 MHz
Sound Level	44 dB
Weight	0.83 Kg (Motor Only)
RF Modulation	FSK
Limit Switch Type	Electronic
Temp Working Range	0 °C to 60 °C
Insulation Class	II

STRAIGHT TRACK

ONE WAY



CENTRE CLOSE

